

**INVERTS**

OUT HOUSE (N.E.)	94.00
OUT HOUSE (N.W.)	93.40
INTO S. TANK	93.20
OUT S. TANK	92.95
INTO D. BOX	92.80
OUT D. BOX	92.65
INTO PIT	92.58
BOTTOM PIT	90.50
BOTTOM STONE	89.00
WATER TABLE	85.00

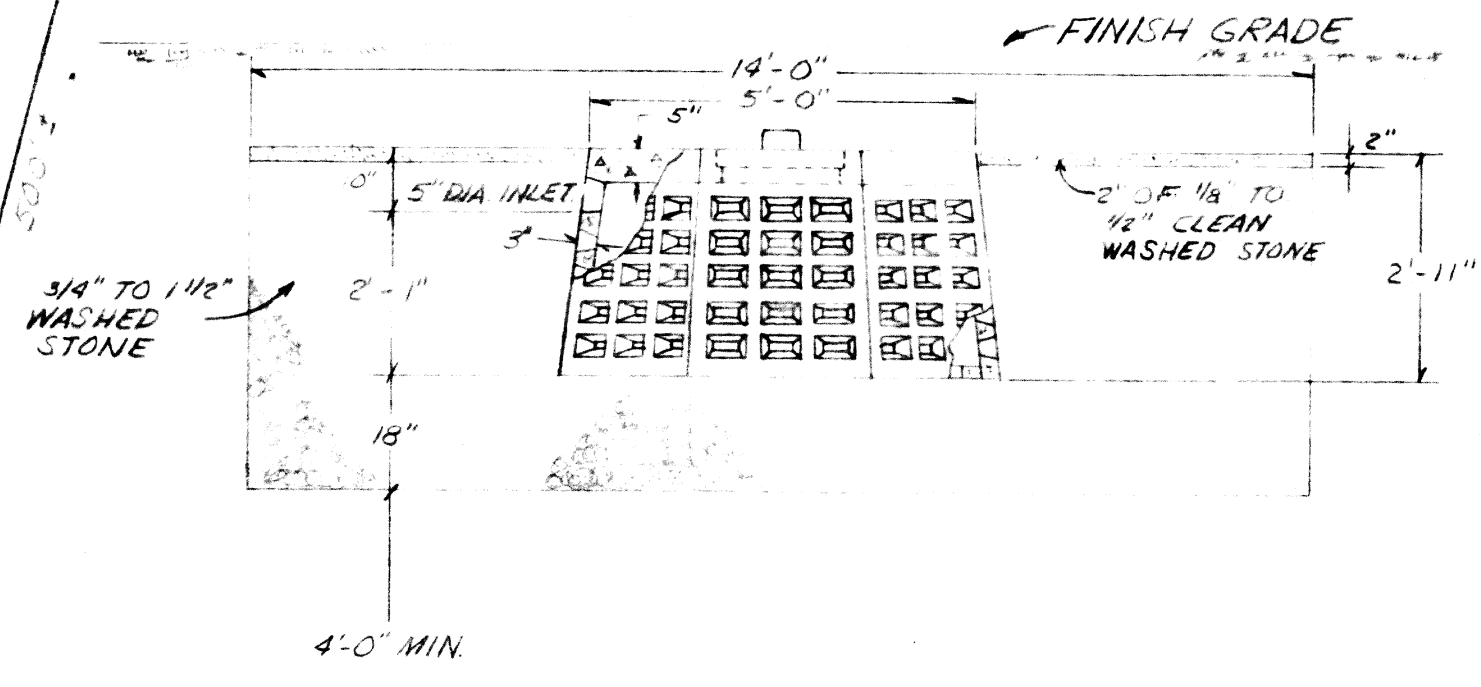
PLAT 28  
LOT 120  
AREA: 6.27 Ac ±

PLACE STAKED  
HAY BALES PRIOR  
TO CONSTRUCTION

EXISTING GRAVEL DRIVE &  
24" CULVERT SEE ORDER  
OF CONDITIONS DATED FEB. 14, 1986

BENCH MARK  
TOP OF GRATE  
ELEV. = 87.00

GALEN COURT

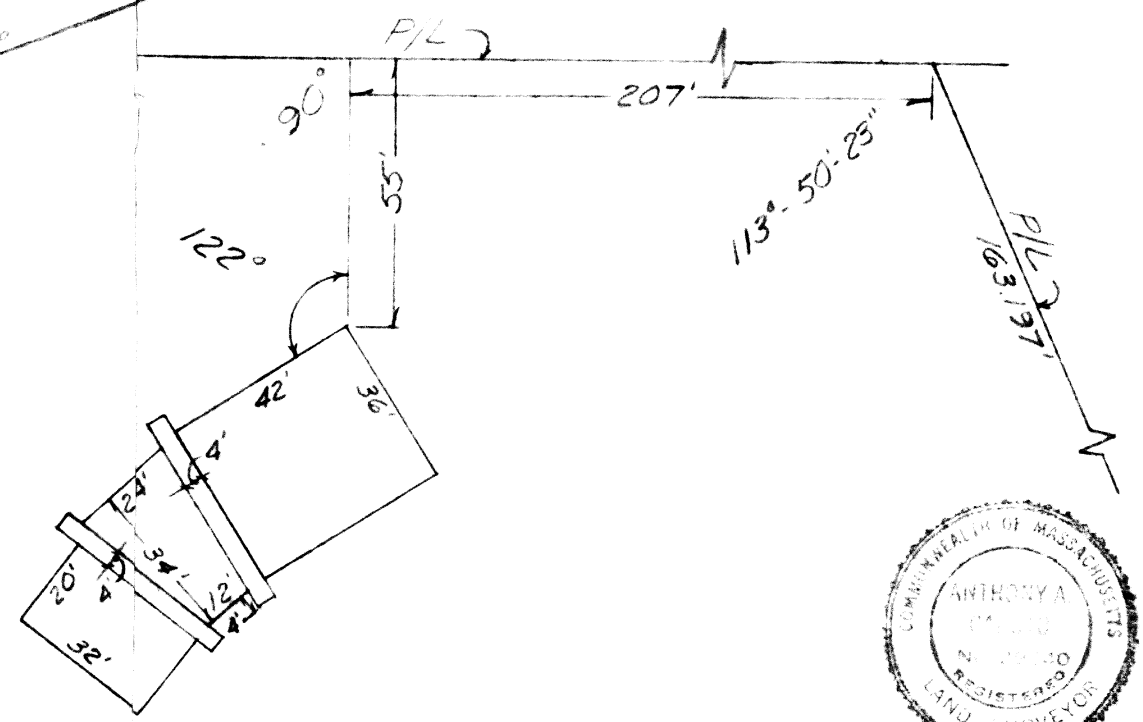


SECTION  
TOP 1/2 OF ROTONDO DRY WELL  
NO SCALE

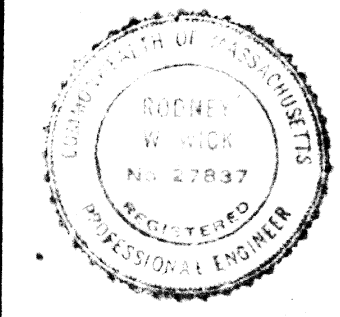
**DESIGN DATA**  
4 BEDROOMS = 660 GALS.  
PERC RATE = 2 MINS./INCH  
USE 14' SQ. TOP 1/2 ROTONDO  
DRY WELL WITH 13" OF  
STONE BELOW.  
SIDE:  
14' x 4' x 3.58' x 25' = 501 GALS.  
BOTTOM:  
14' x 14' x 1.0' = 196 GALS.  
TOTAL = 697 GALS.

8" TOP &  
SUBSOIL  
DRY  
10'-0"  
3/5/86  
102" LOOSE  
CRSE. SAND  
& GRAVEL

STRIP ALL TOP & SUBSOIL  
IN THE AREA OF THE PIT &  
10' BEYOND & REPLACE WITH  
CLEAN GRAVEL.  
ALL AREAS DISTURBED BY  
EXCAVATION ARE TO BE  
COVERED WITH 6" OF LOAM  
& SEED.



FOUNDATION LAYOUT  
SCALE: 1" = 40'



SEWAGE DISPOSAL MAP  
LOT 1, PERRINS CROSSING  
SEEKONK, MASS.  
FOR  
FREDRIC & NANCY CASTELLUCCI

**CAPUTO AND WICK LTD.**  
1150 PAWTUCKET AVE.  
RUMFORD, R.I. 02916  
401-434-8880

DATE  
5/7/87  
SHEET