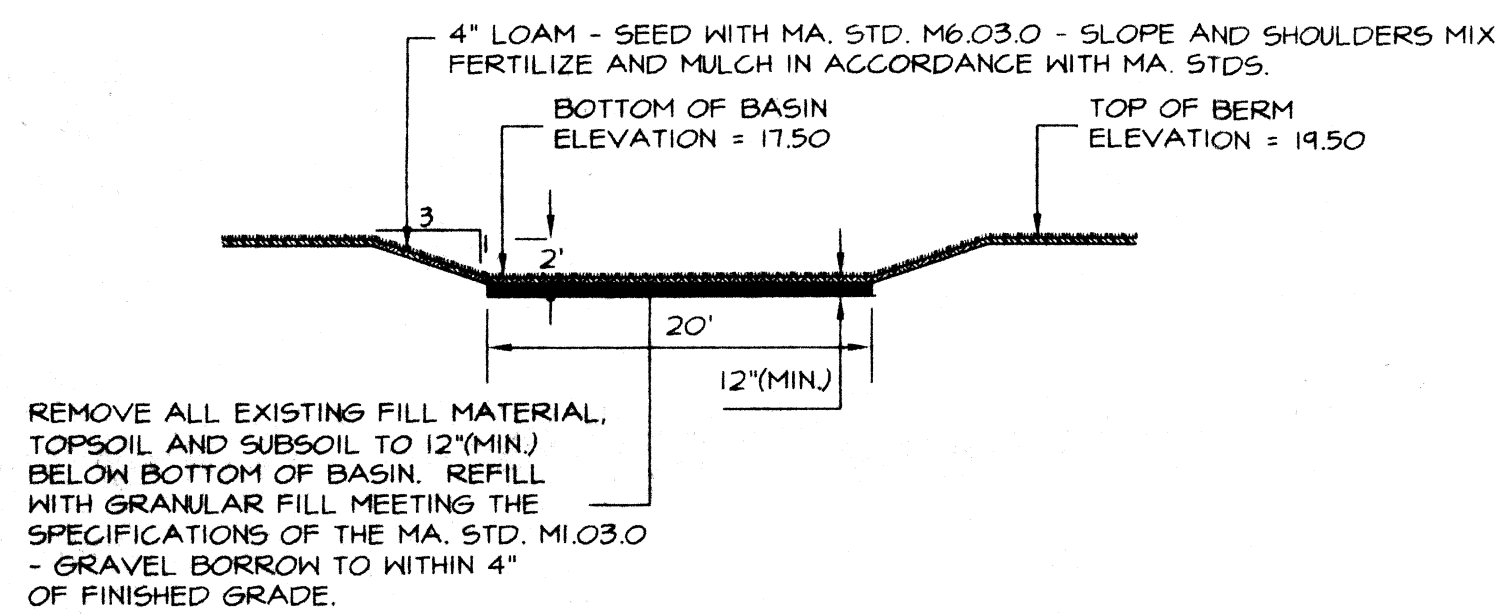
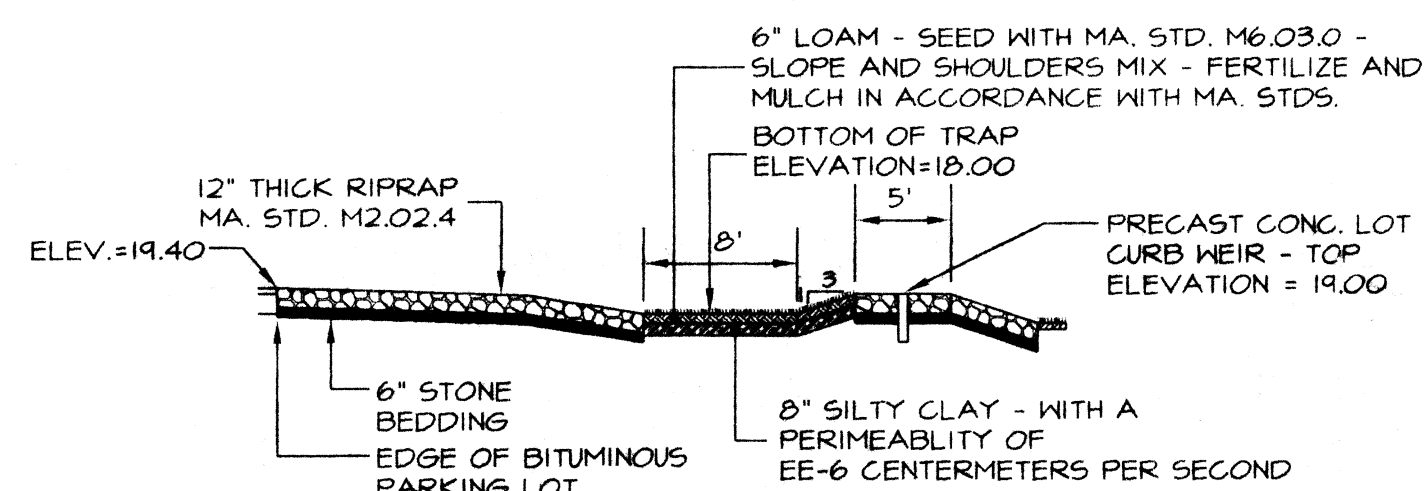


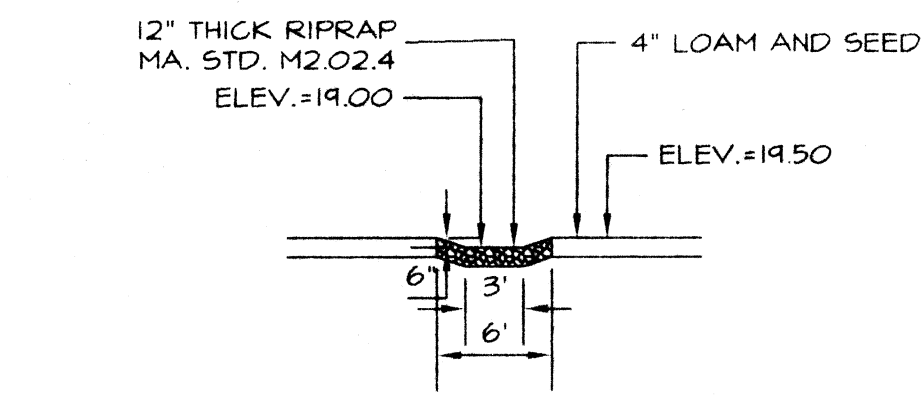
SCALE 1" = 10'
STORMWATER MANAGEMENT PLAN



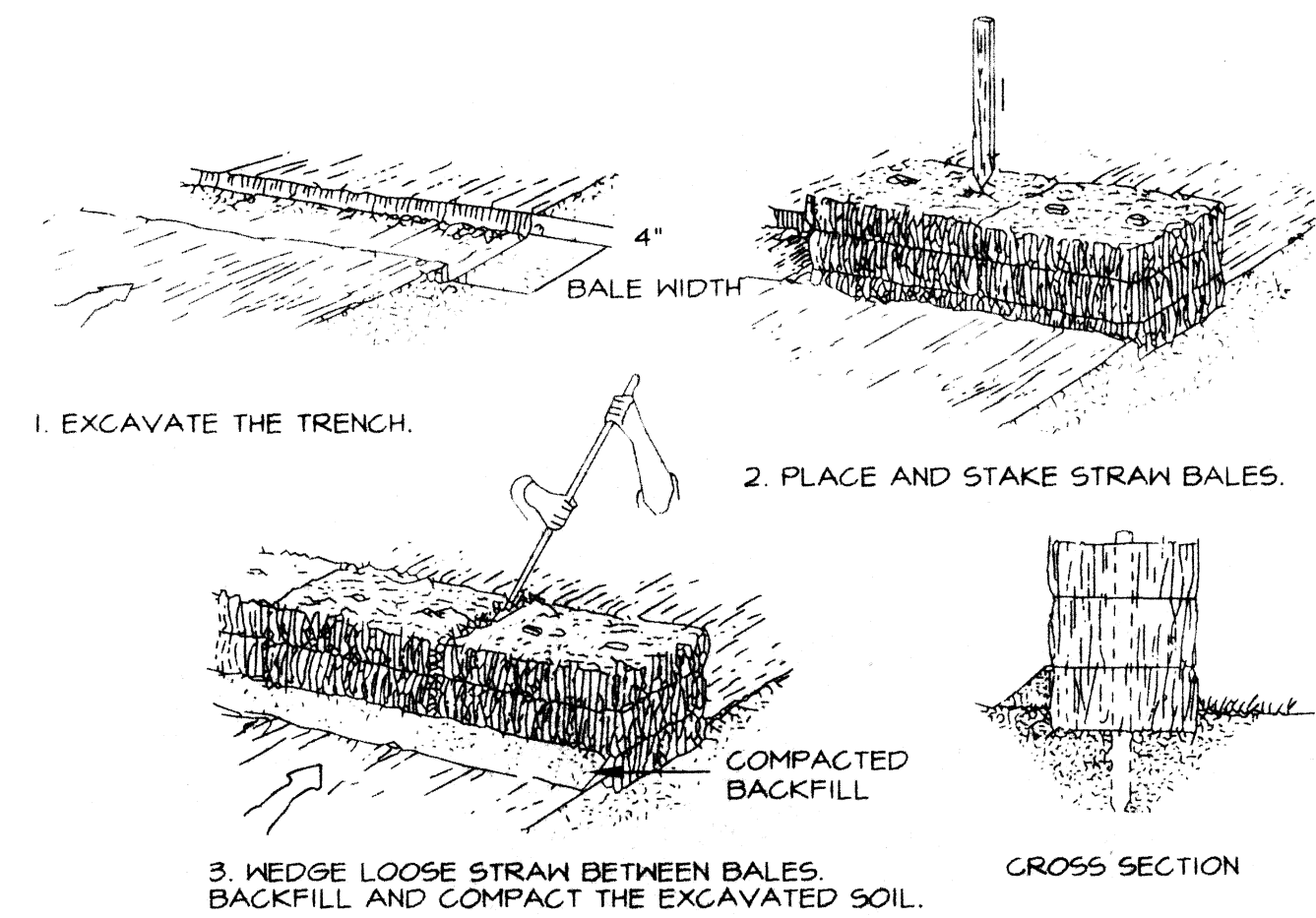
SCALE: { HORIZONTAL 1" = 10'
VERTICAL 1" = 10'
SECTION A-A
DETENTION BASIN DETAIL



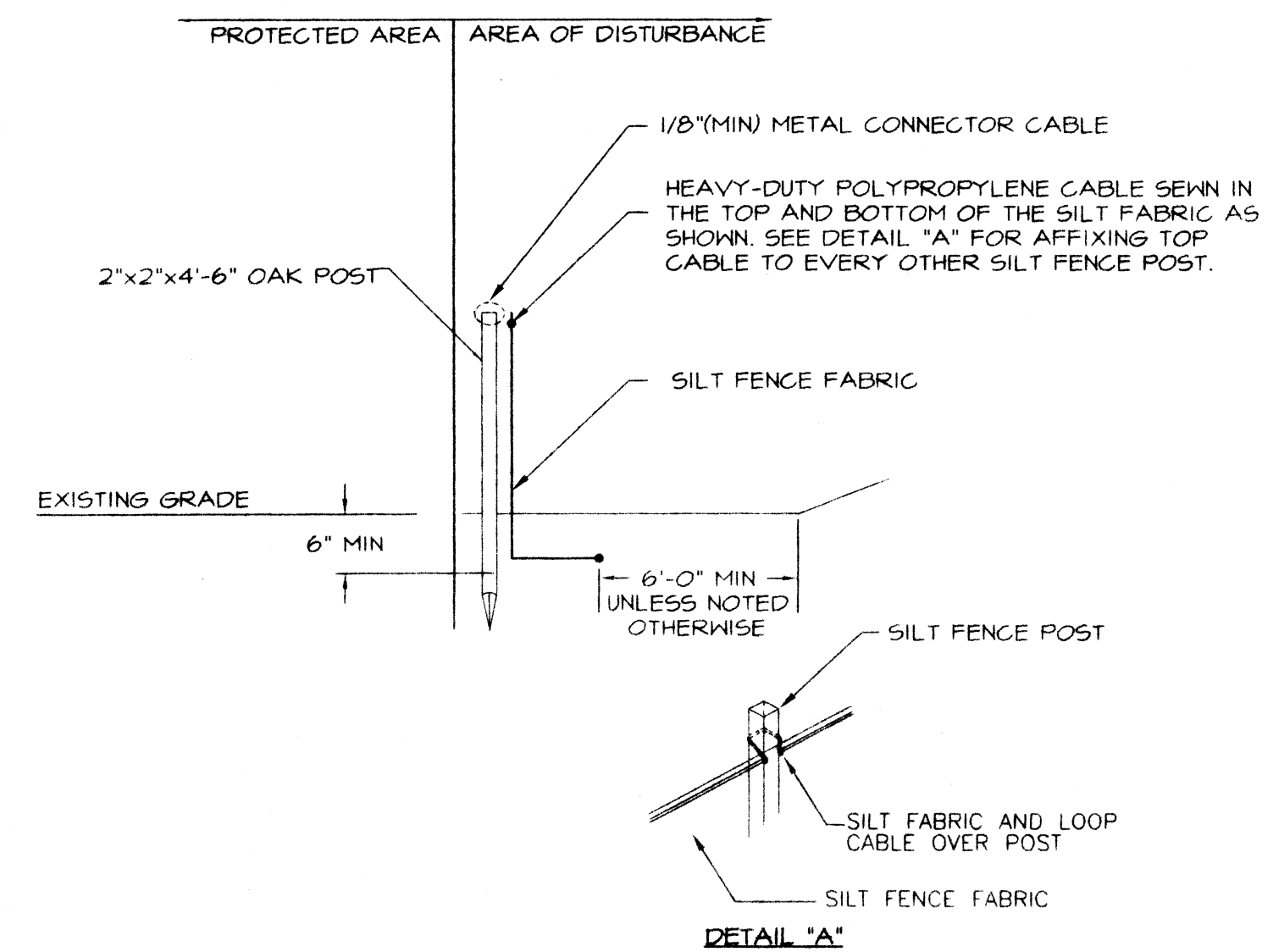
SCALE: { HORIZONTAL 1" = 10'
VERTICAL 1" = 10'
SECTION C-C
SEDIMENT TRAP DETAIL



SCALE: { HORIZONTAL 1" = 10'
VERTICAL 1" = 10'
SEDIMENT TRAP OUTLET DETAIL



HAY BALE

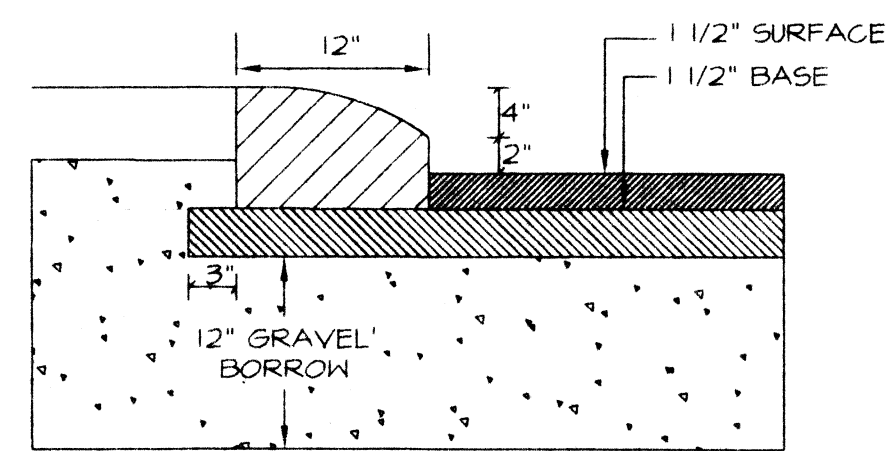


NOTES:

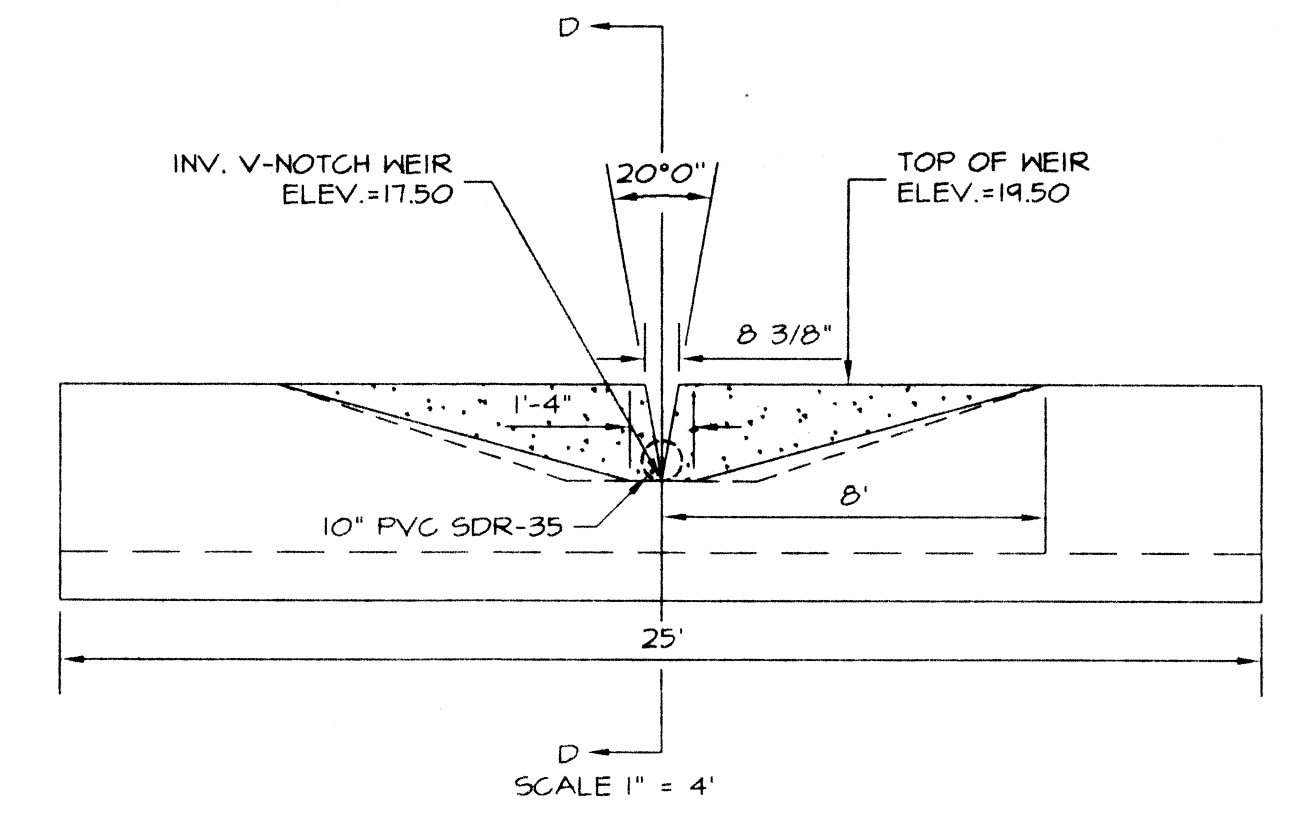
- HAY BALES ARE TO BE PLACED WITHIN A 6" MIN. TRENCH AND INSTALLED "TIGHT" AGAINST THE SILT FENCE.
- THOROUGHLY COMPACT EXCAVATED SOILS BACK INTO THE TRENCH AFTER INSTALLATION OF EROSION CONTROL DEVICES.
- SILT FENCE FABRIC SHALL NOT BE SLIT AND THE HAY BALE POSTS ARE TO BE DRIVEN THROUGH THE SILT FENCE FABRIC.
- 2"x2"x4"-6" OAK STAKE FOR THE SILT FENCE SHALL BE LOCATED ON 8'-0"(MAX) CENTERS IN A WETLAND AREA AND 4'-0"(MAX) CENTERS IN A WETLAND REVINE, GULLY AND/OR A DROPOFF AREA AS SHOWN ON THE PLANS.

SILT FENCE

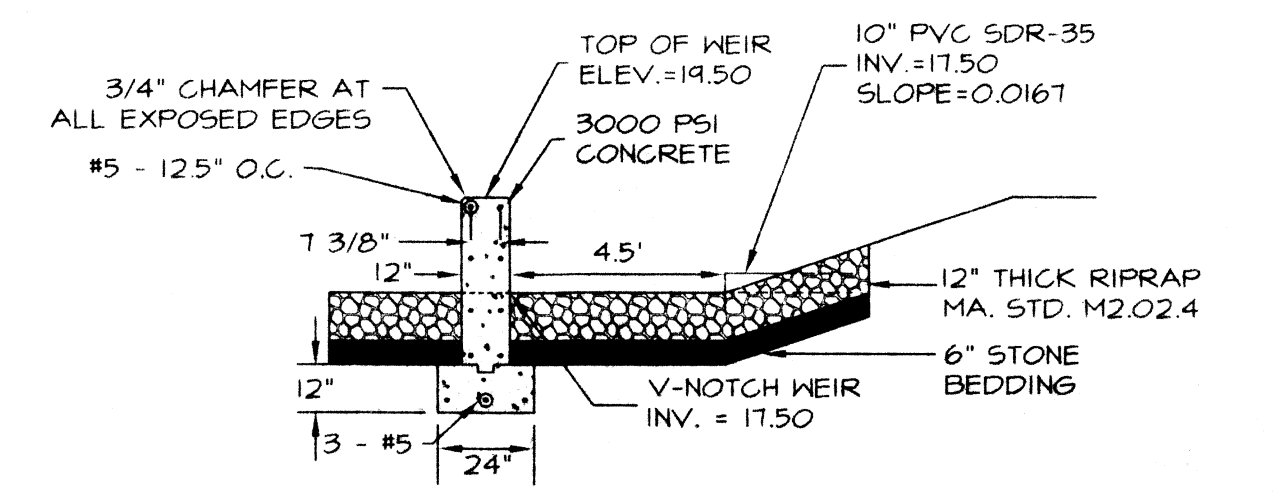
EROSION CONTROL DEVICE DETAIL



SCALE 1" = 1'-0"
BIT. BERM DETAIL



SCALE 1" = 4'
PROFILE



SCALE 1" = 4'
SECTION D-D
DETENTION BASIN OUTLET DETAIL

STORM WATER MAINTENANCE SCHEDULE

Parking/roadway areas are to be swept clean on a semi-annual basis to remove contaminants and soil fines. More frequent sweeping is to be used if necessary. It is particularly important to schedule sweeping to remove residual sand resulting from winter snow and ice removal operations.

Inspect sediment trap monthly. Remove sediment, leaves and debris four time per year or as necessary. It is important that the sediment trap be properly maintained to prevent the discharge of fines into the detention basin.

The detention basin should be inspected at least once per year to ensure that the basin is operating as intended. The side slopes and embankment should be mowed twice per growing season. Trash and debris should also be removed at this time. Sediment should be removed from the basin as necessary, and at least once every 5 years.

DETAILS
LAWRENCE A. AUBIN, SR.
INDUSTRIAL WAY
SEEKONK, MASSACHUSETTS

CAPUTO AND WICK LTD. DATE JUNE 1999
1150 PAWTUCKET AVE. SHEET
RUMFORD, R.I. 02916 2 OF 2
401-434-8880