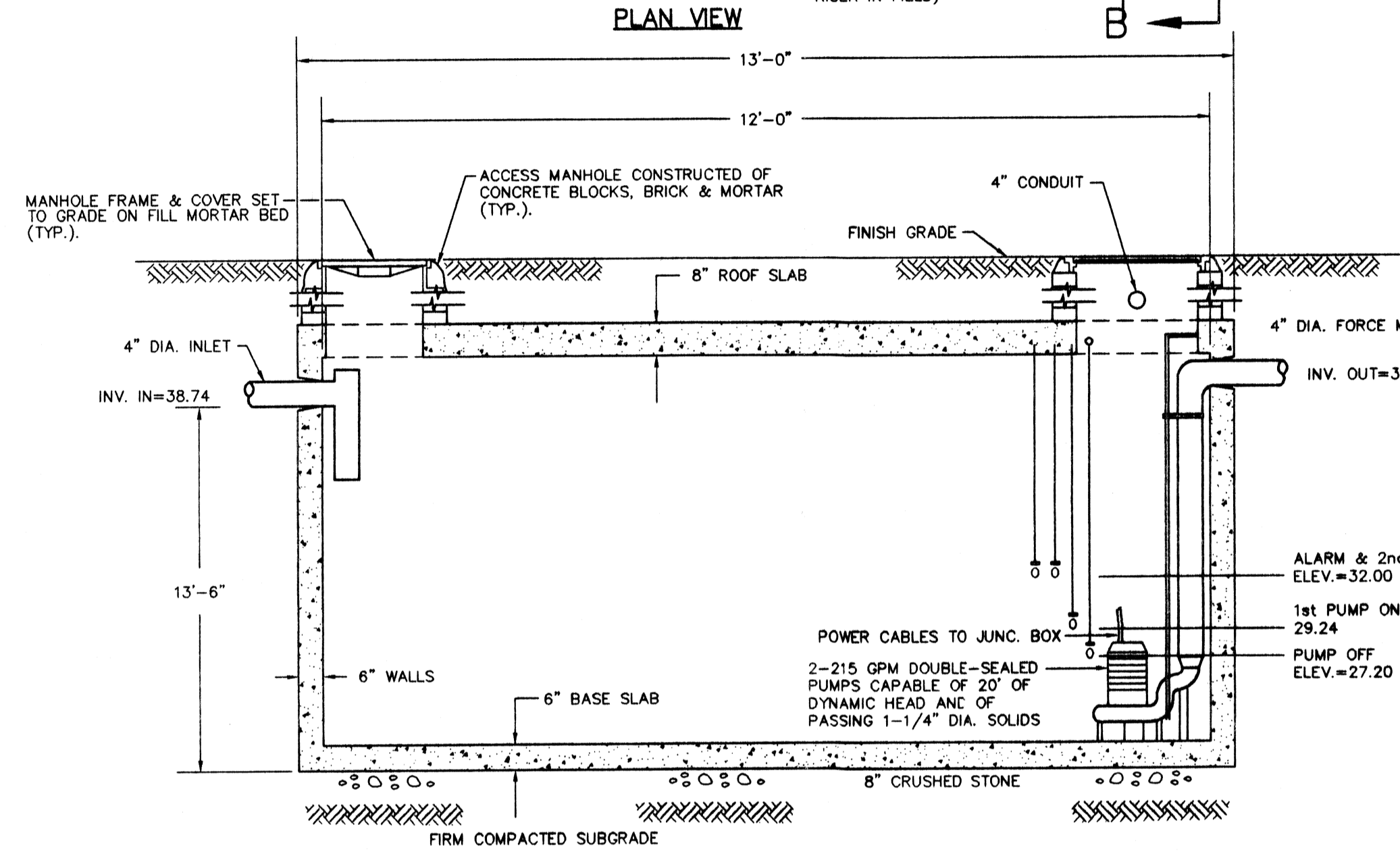
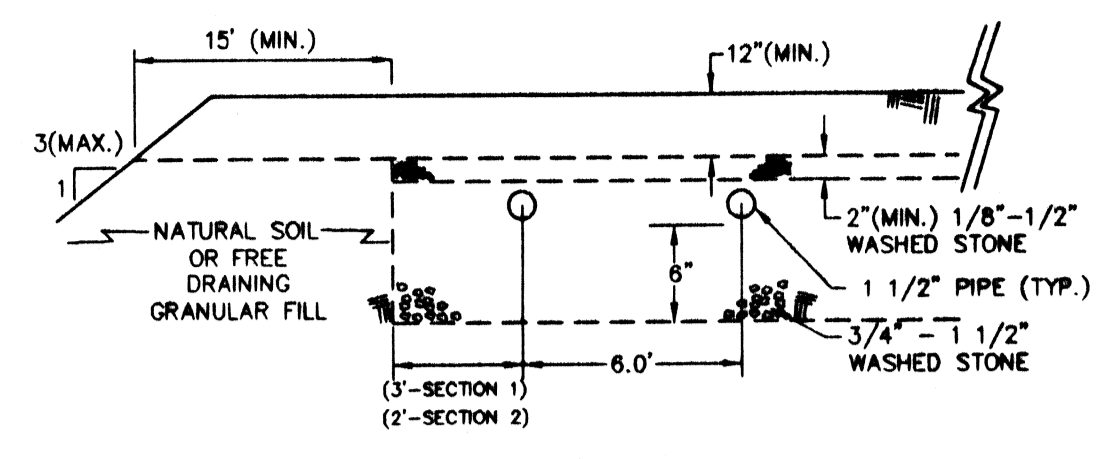


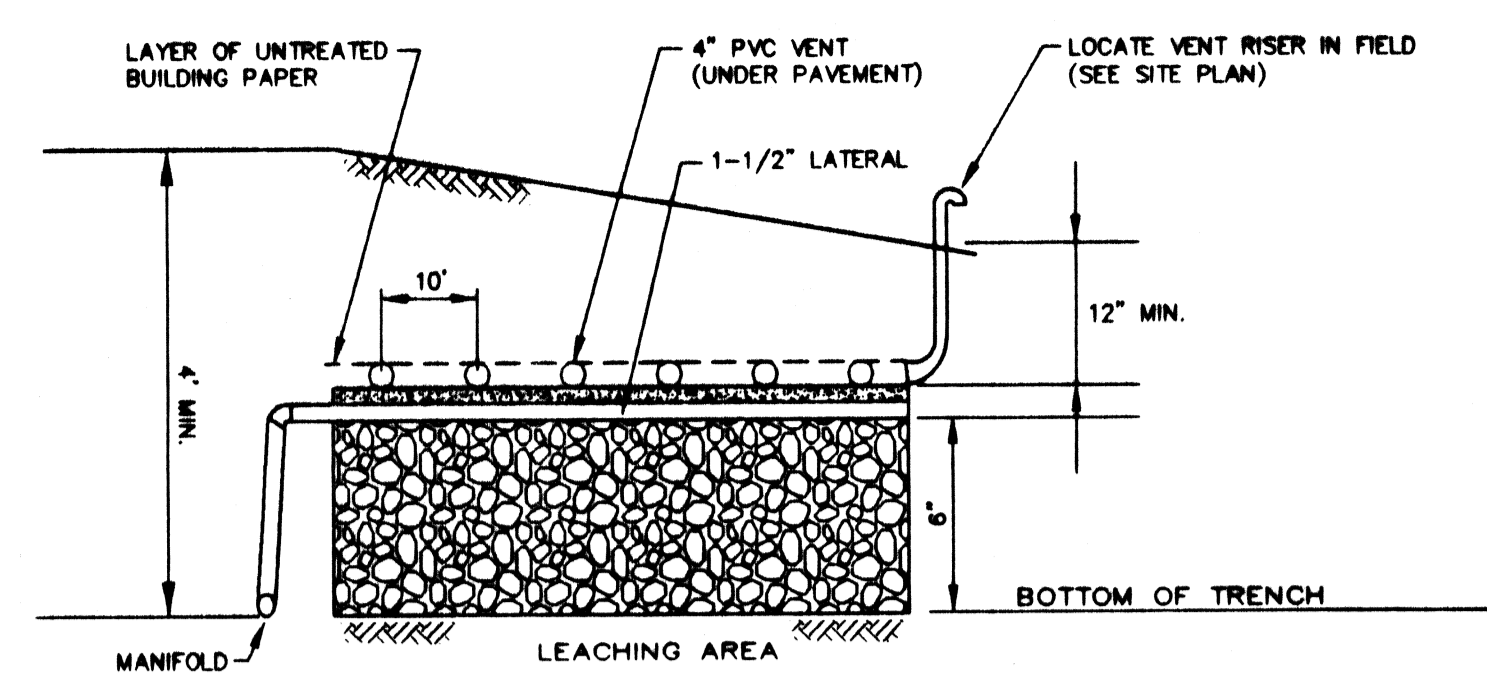
- NOTES:**
1. ALL CONSTRUCTION TO BE WATERTIGHT.
 2. DOSING CHAMBER TO WITHSTAND H-20 LOADING.
 3. CONDUIT AND CABLES SHALL CONFORM TO MASSACHUSETTS ELECTRICAL CODE.
 4. PUMP AND ALARM SYSTEMS TO BE PROVIDED WITH SEPARATE POWER SUPPLIES FROM BUILDING.
 5. ANCHOR DISCHARGE PIPING TO CHAMBER WITH STAINLESS STEEL ANCHOR STRAPS 2 O.C.
 6. COAT INSIDE OF TANK WITH BITUMINOUS ASPHALT SEALER.
 7. DOSING CHAMBER TO BE ROTUNDO PC 6X12 OR APPROVED EQUAL.
 8. DOSING CHAMBER TO BE CONSTRUCTED IN ACCORDANCE WITH TITLE 5 REQUIREMENTS.



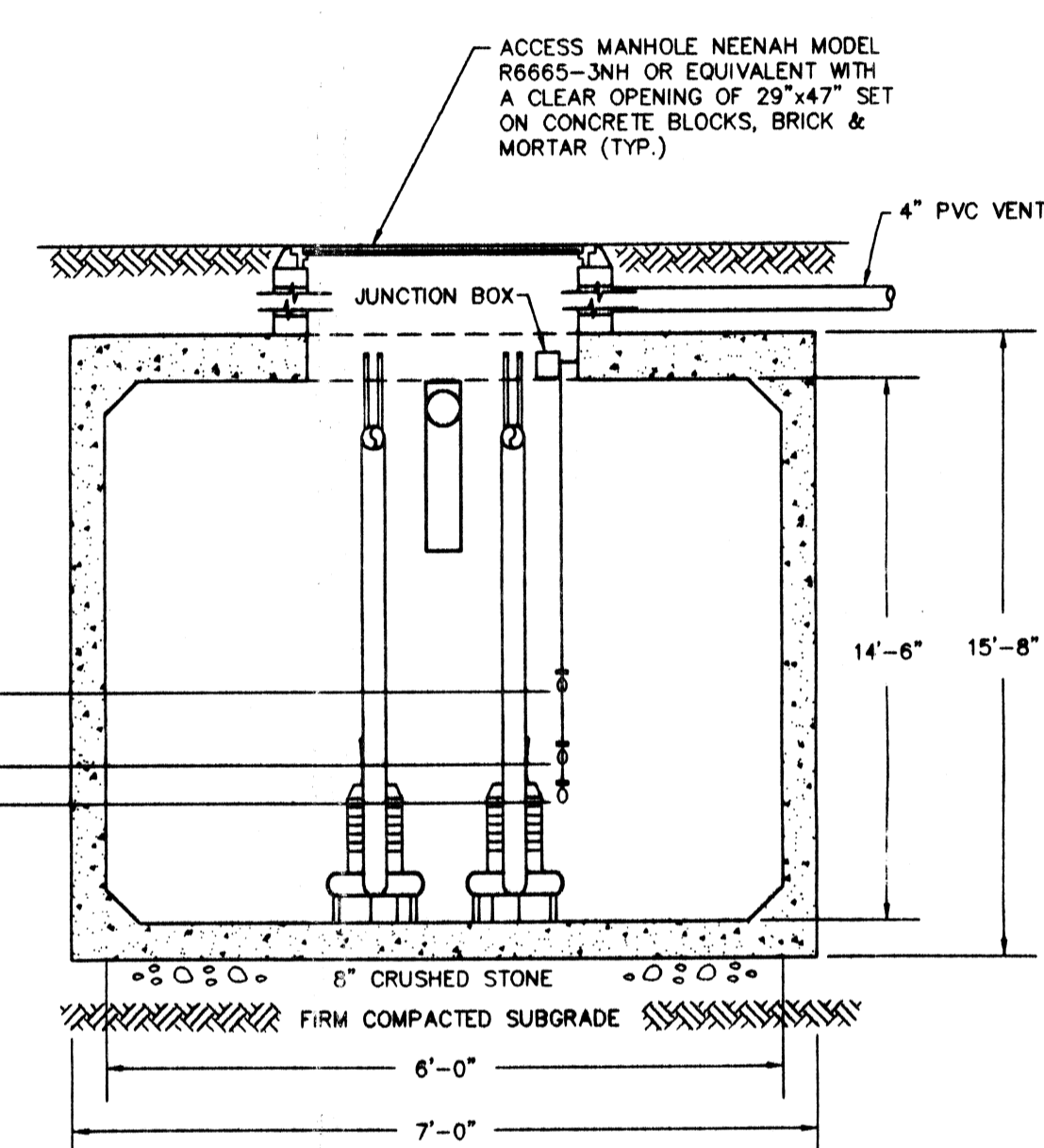
SECTION A-A
DOSING CHAMBER DETAIL
NOT TO SCALE



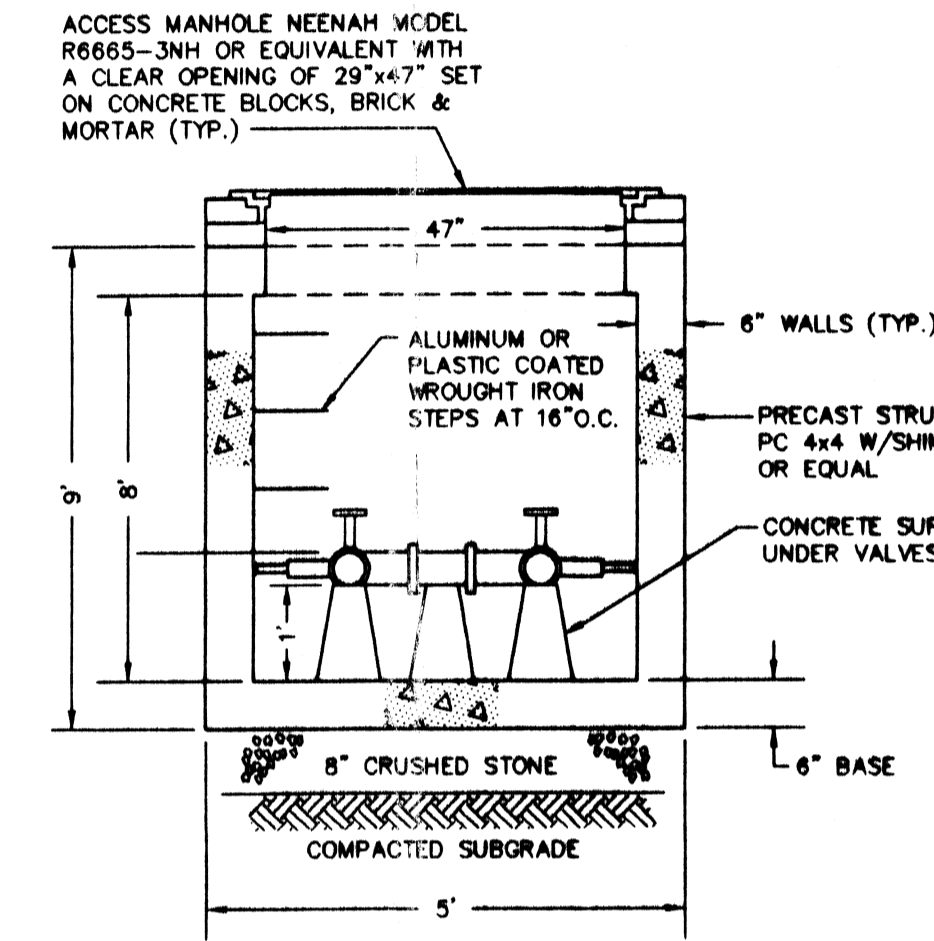
- NOTES:**
1. INDEPENDENT VENT SYSTEM SHALL NOT BE CONNECTED TO LATERALS OR MANIFOLD AT ANY POINT.
 2. VENT SYSTEM SHALL CONSIST OF 4" PREFORATED SCHED. 40 PVC MANIFOLD TO VENT RISER USING SOLID SCH. 40 PVC.
 3. PIPE LATERALS TO BE 1 1/2" INCH DIA. SCHEDULE 40 PVC W/ 1/4" INCH PERFORATIONS SPACED 5 FEET ON CENTER. PERFORATIONS TO BE DRILLED AT 5 O'CLOCK & 7 O'CLOCK POSITION. ALTERNATELY ALONG THE PIPE. PERFORATIONS TO FACE DOWN. PERFORATION ON ADJACENT PIPES TO BE STAGGERED, SUCH THAT EACH PERFORATION IS CENTERED BETWEEN PERFORATIONS ON ADJACENT PIPES.



LEACHING FIELD WITH VENT
NOT TO SCALE

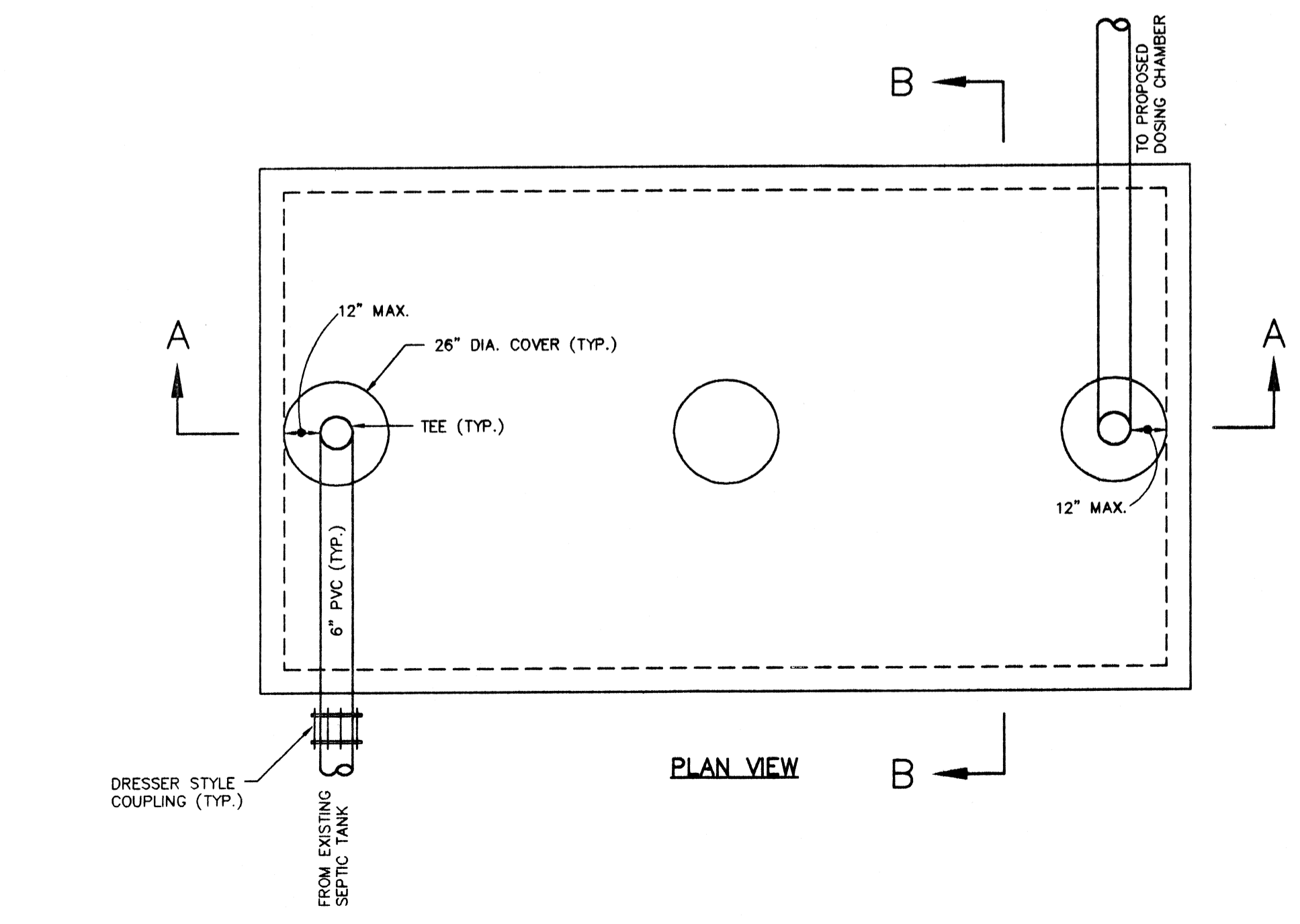


SECTION B-B

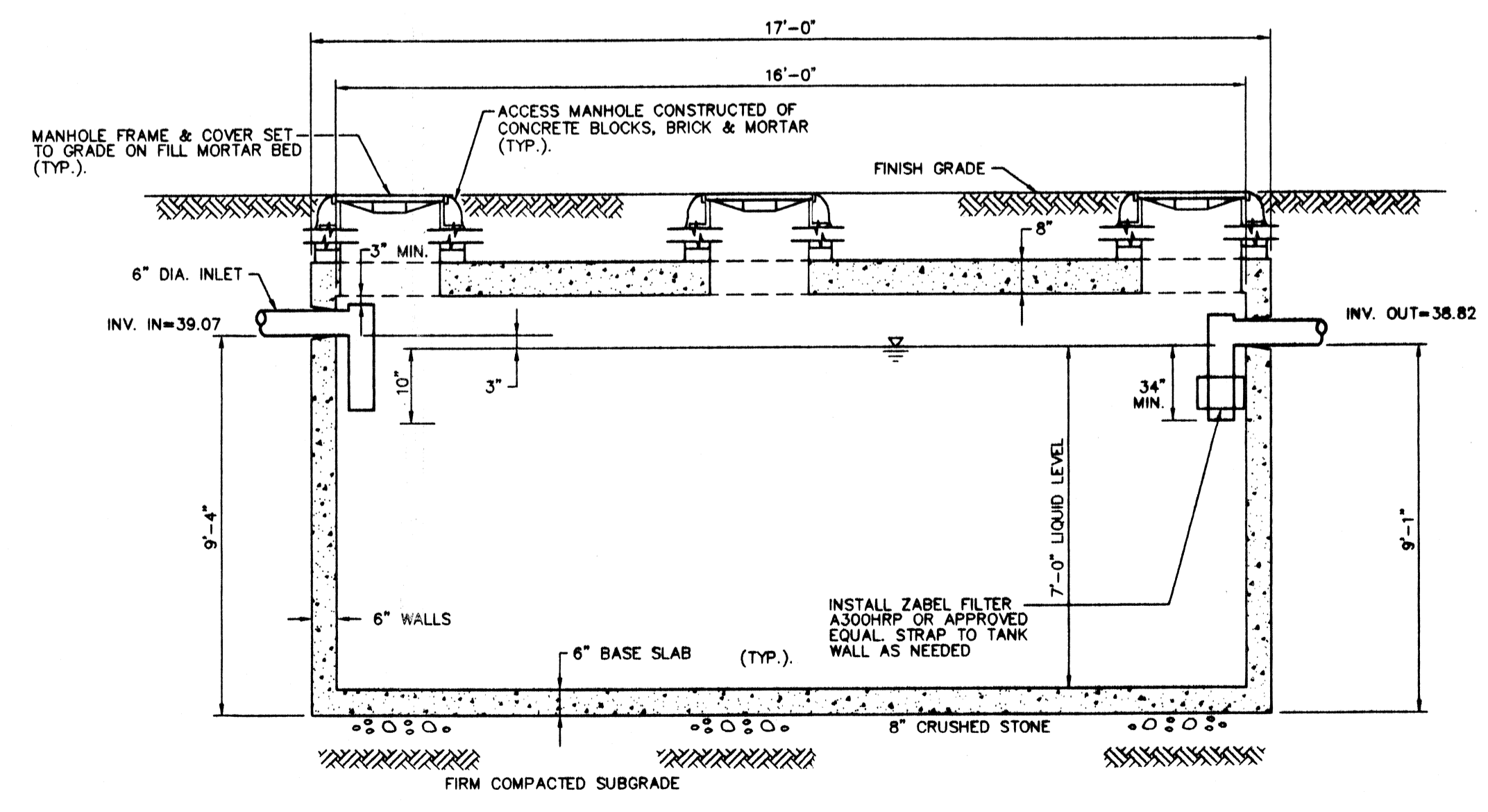


VALVE CHAMBER DETAIL
NOT TO SCALE

- NOTES:**
1. ALL CONSTRUCTION TO BE WATERTIGHT.
 2. SEPTIC TANK TO WITHSTAND H-20 LOADING.
 3. TOP OF TEES TO BE A MINIMUM OF 6" ABOVE FLOW LINE.
 4. INLET TEE TO EXTEND A MINIMUM OF 10" BELOW FLOW LINE.
 5. SEPTIC TANK TO HAVE A MINIMUM CAPACITY OF 5,000 GALLONS.
 6. SEPTIC TANK TO HAVE MANHOLE OVER EACH TEE FOR CLEANING AND CENTRAL ACCESS MANHOLE TO GRADE.
 7. PROVIDE A MINIMUM OF 3" OF AIR SPACE BETWEEN TOP OF TEE AND SEPTIC TANK COVER.
 8. SEPTIC TANK TO BE AN ROTUNDO ST 6X16-5 5000 GALLON OR APPROVED EQUAL.
 9. COAT INSIDE OF TANK ABOVE FLOW LINE AND 6" BELOW FLOW WITH BITUMINOUS ASPHALT SEALER.
 10. SEPTIC TANK TO BE CONSTRUCTED IN ACCORDANCE WITH TITLE 5 REQUIREMENTS.

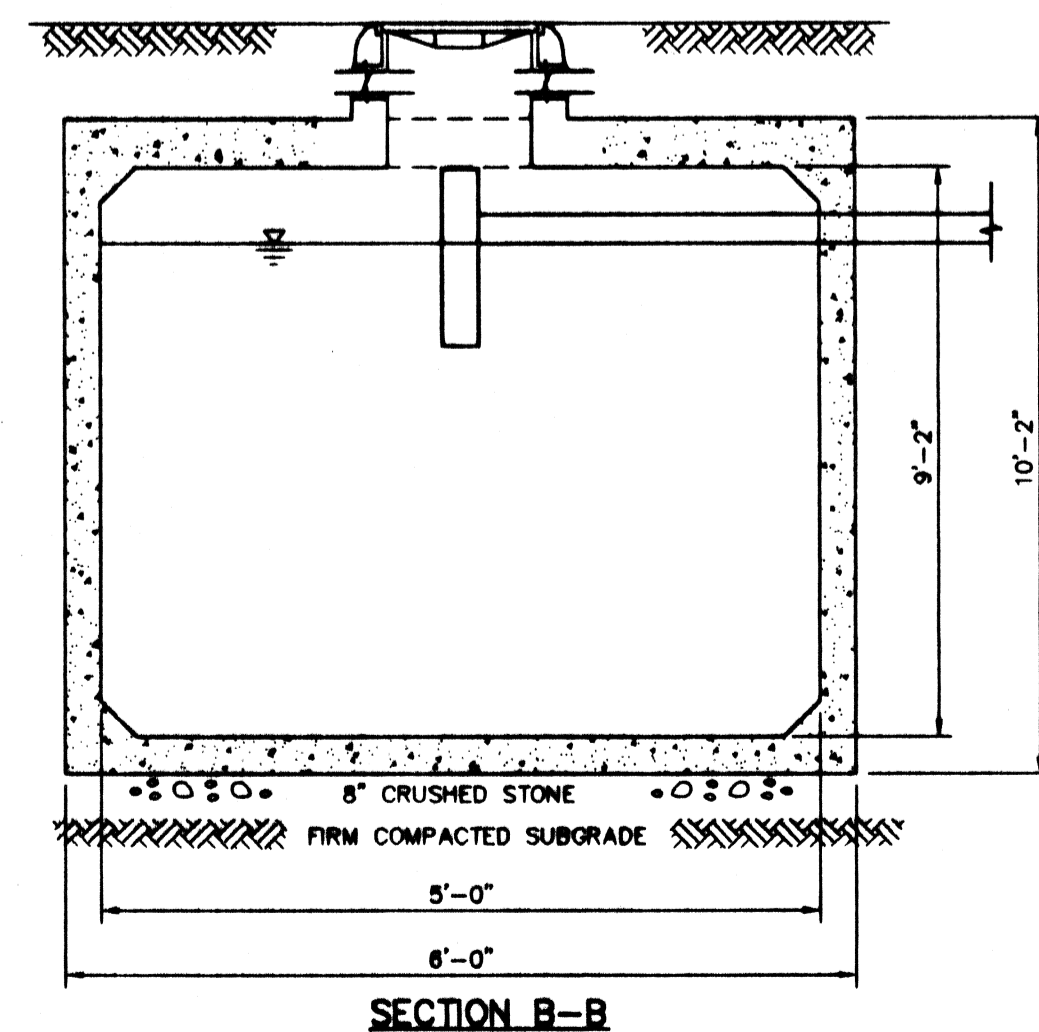


PLAN VIEW



SECTION A-A

SEPTIC TANK
NOT TO SCALE



SECTION B-B

REVISIONS:

No.	DATE	

GENERAL NOTES:
1. REFER TO SHEETS 1 AND 2 FOR GENERAL NOTES.

COLER & COLANTONIO
ENGINEERS AND SCIENTISTS

101 Accord Park Drive, Suite One
Norwell, MA 02061-1685
(617) 982-5400



John C. Chessa 8/12/98

TITLE:
WASTEWATER DETAILS
FRIENDLY'S SHOP #995
1151 FALL RIVER AVE. (RT.6)
SEEKONK, MA
PREPARED FOR:
FRIENDLY ICE CREAM CORP.
1855 BOSTON ROAD
WILBRAHAM, MA 01095

DATE: AUGUST 7, 1998
COMP./DESIGN: JDO
CHECK: JCC
DRAWN: LMB
SCALE: AS NOTED
JOB NO.: 1-385.00
DWG NO.: WDET
SHEET 3 OF 3