

**DESIGN DATA**

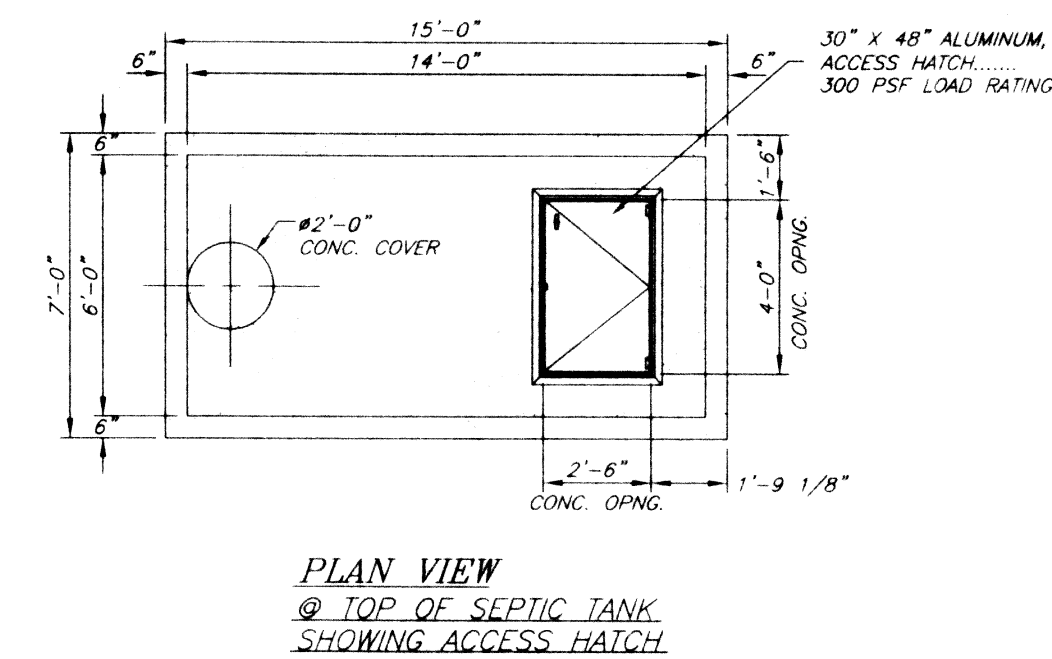
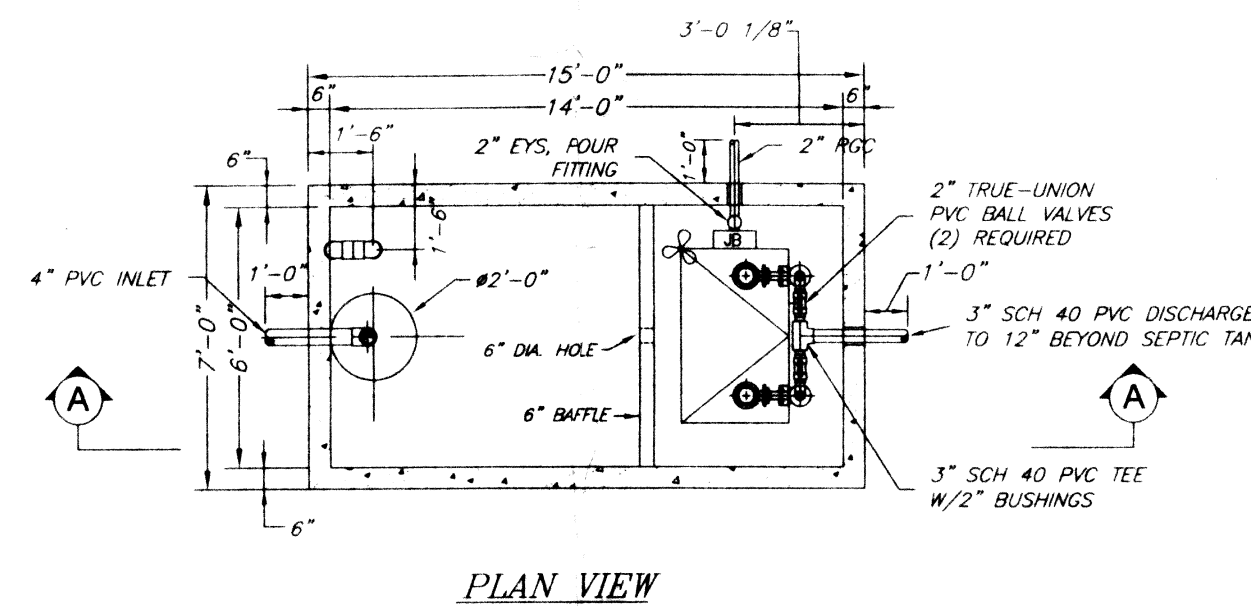
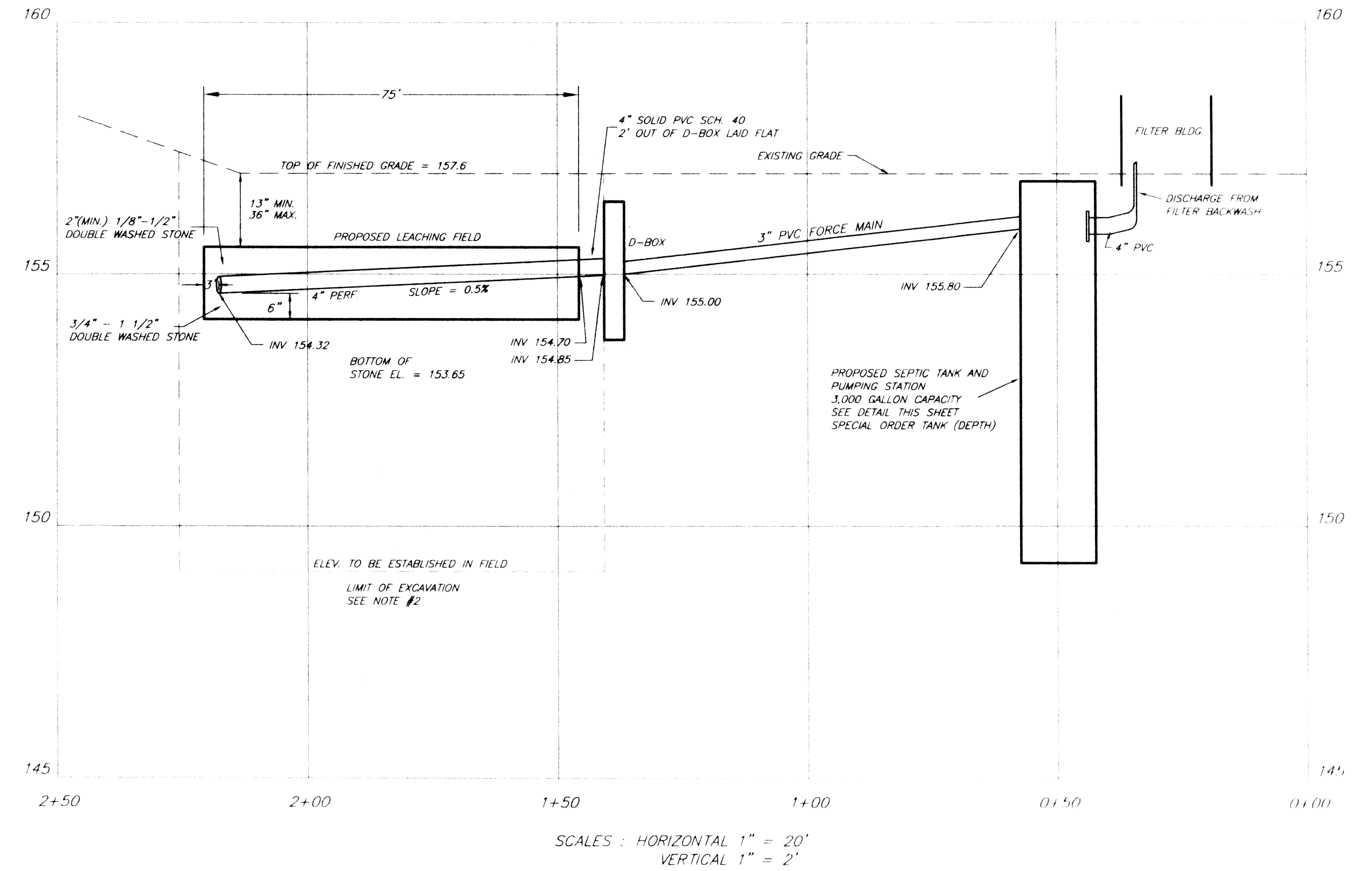
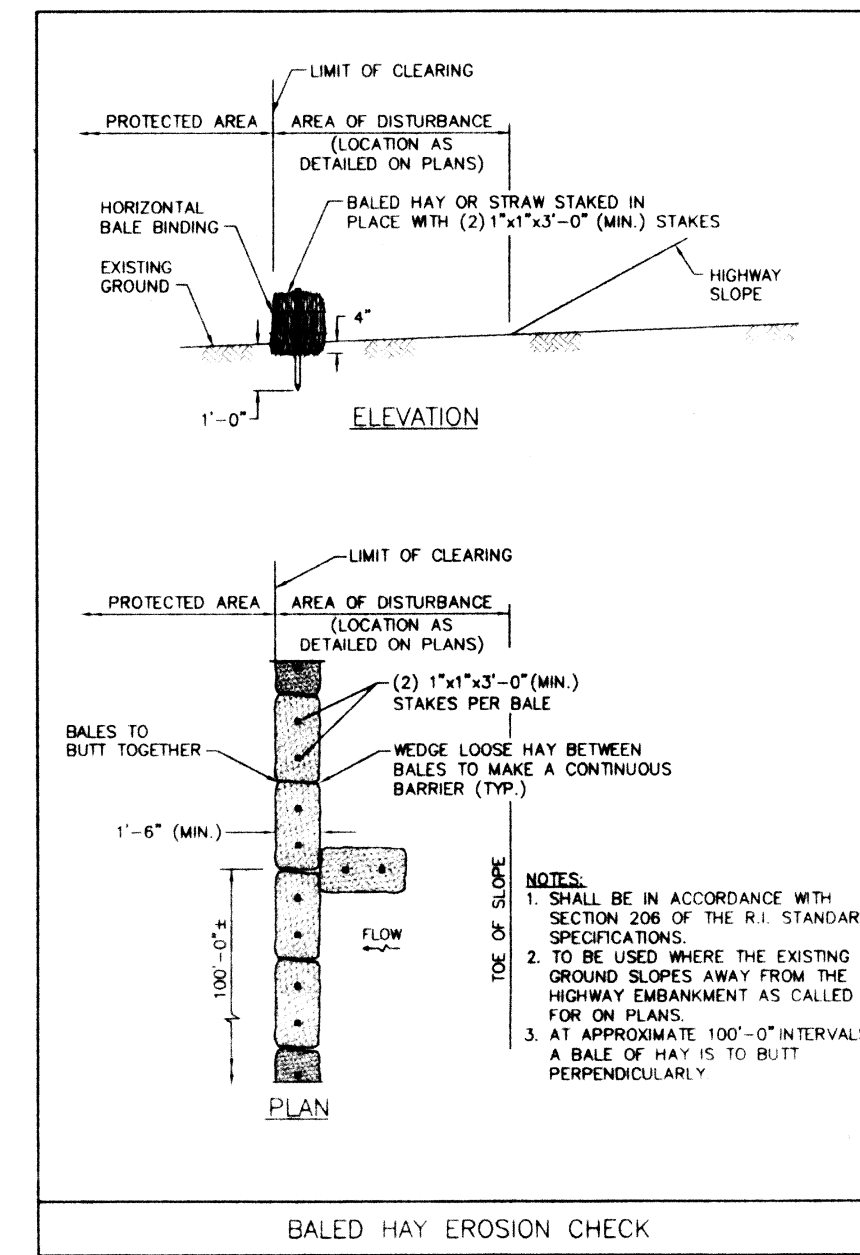
DAILY SEWAGE FLOW: BACKWASH FROM FILTERS 1000 GALLONS  
 TOTAL DAY DESIGN FLOW = 1000 GALLONS PER DAY  
 SEPTIC TANK REQUIREMENTS  
 VOLUME COMPARTMENT 1 = 200X DAILY FLOW = 2 x 1000 = 2000 GALLONS  
 VOLUME COMPARTMENT 2 = 100X DAILY FLOW = 1000 GALLONS  
 USE 2 COMPARTMENT 3000 GALLONS SEPTIC TANK  
 ROTONDO AND SONS, INC. ST 6x14-3 WITH BAFFLE OR EQUAL  
 FIRST COMPARTMENT VOLUME = 2000 GALLONS  
 SECOND COMPARTMENT = 1000 GALLONS  
 DISTRIBUTION BOX  
 ROTONDO AND SONS, INC. DB-14 WITH BAFFLE OR EQUAL  
 PUMP CHAMBER  
 LEACHING AREA REQUIREMENTS  
 PERCOLATION RATE = 4 MINUTES PER INCH - SOIL TEXTURE CLASS - 1  
 DESIGN FOR 5 MINUTES PER INCH - SOIL TEXTURE CLASS - 1  
 EFFLUENT LOADING RATE = 0.74 GAL PER S.F.  
 SIDEWALL AREA = 0 FEET (FIELD) = 0 SQUARE FEET  
 BOTTOM AREA = 75 x 30 = 2,250 SQUARE FEET  
 TOTAL LEACHING AREA = 2,250 SQUARE FEET  
 TOTAL LEACHING CAPACITY  
 = 2,250 S.F. x 0.74 GAL / DAY / S.F. = 1,665 GALLONS/DAY > 1,000 GALLONS / DAY

**PUMP DATA**

**PUMP MODEL**  
 Gould 3887 SERIES WS 0534BF, 7 HORSEPOWER, 2" SOLID SW HANDLING CAPACITY  
 GOULD MODEL 3887 SERIES WS 0534BF, 7 HORSEPOWER, 2" SOLID SW HANDLING CAPACITY  
 3" DISCHARGE, ELECTRICAL - 460 VOLTS, 1.7 AMPS, 3 PHASE  
**CONTROL PANEL**  
 GOULD MODEL D10020 NI ENCLOSURE - NEMA 1, PHASE - 3, VOLTAGE - 480  
 PROVIDE PUMP ALTERNATOR AND AUDIO/VISUAL HIGH LEVEL ALARM  
**FLOATS MODEL**  
 GOULD MODEL A2-3  
**PUMP CHAMBER**  
 ROTONDO AND SONS ST 6x14-25  
 MODIFIED FOR PUMP CHAMBER USE

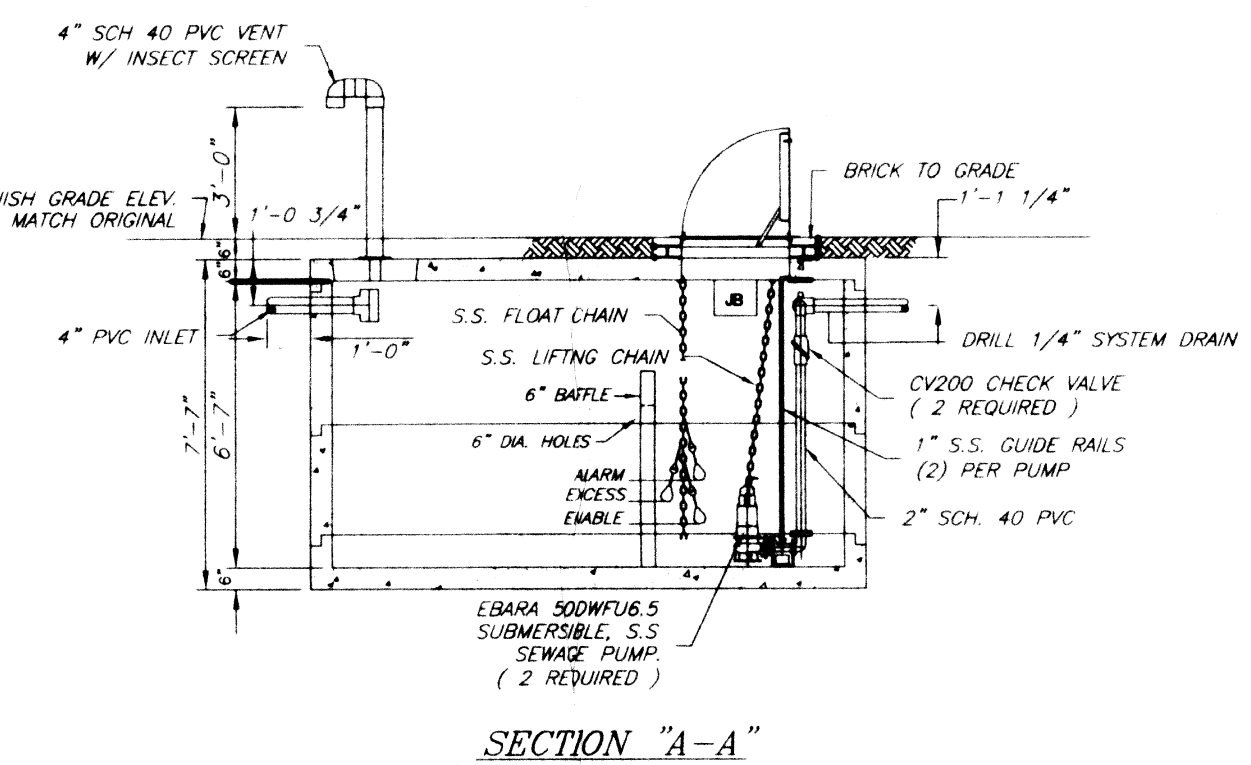
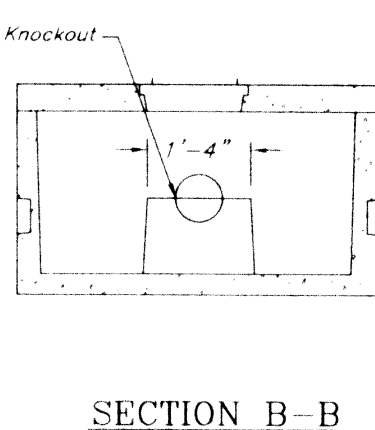
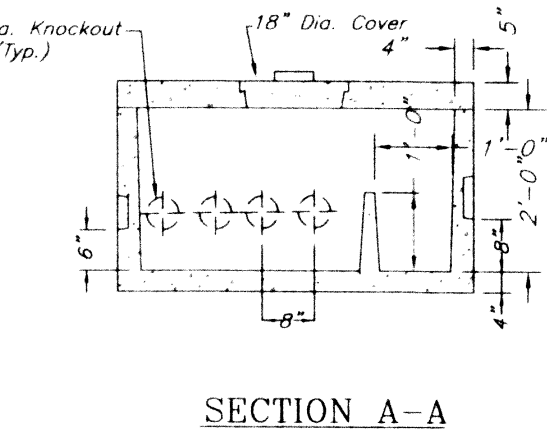
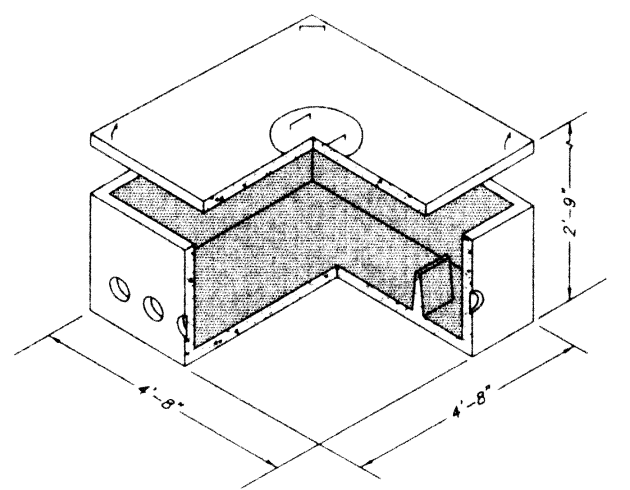
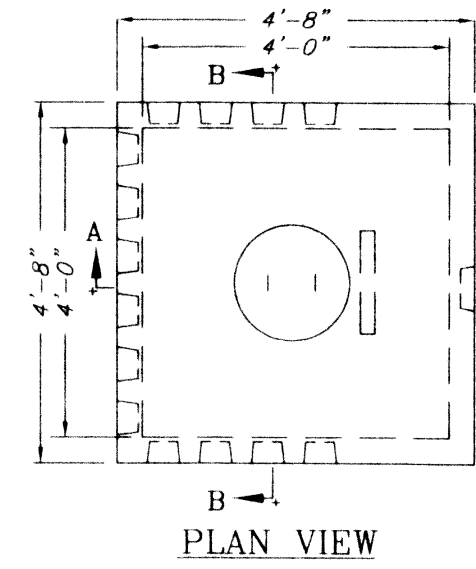
**SEWAGE DISPOSAL SYSTEM NOTES:**

- ALL WORK SHALL CONFORM TO THE 310 CMR 15.00 STATE ENVIRONMENTAL CODE - TITLE 5 AND THE RULES AND REGULATIONS OF THE SEEKONK BOARD OF HEALTH.
- IN ACCORDANCE WITH 310 CMR 15.255(C), STRIP ALL UNSUITABLE MATERIAL (i.e. TOPSOIL, SUBSOIL, TREE ROOTS, STUMPS AND ANY OTHER IMPROVED SOIL). THE EXCAVATION AND REMOVAL OF THIS UNSUITABLE MATERIAL SHALL EXTEND A MINIMUM OF FIVE FEET LATERALLY IN ALL DIRECTIONS BEYOND THE OUTER PERIMETER OF THE SOIL ABSORPTION SYSTEM TO THE DEPTH OF NATURALLY OCCURRING PERVIOUS MATERIAL AS REQUIRED BY 310 CMR 15.240 AND REPLACE WITH GRANULAR FILL MATERIAL MEETING THE LATEST SPECIFICATIONS OF 310 CMR 15.255(C).
- ALL PIPE TO BE 4" PVC SCHEDULE 40 UNLESS OTHERWISE NOTED.
- PLACE 6" MINIMUM COMPACTED CRUSHED STONE UNDER SEPTIC TANK AND DISTRIBUTION BOX.
- IF CONDITIONS ENCOUNTERED DURING CONSTRUCTION VARY SUBSTANTIALLY FROM THOSE SHOWN ON THIS PLAN, NOTIFY WATERMAN ENGINEERING CO. AND THE SEEKONK BOARD OF HEALTH AGENT BEFORE PROCEEDING WITH CONSTRUCTION.
- GARBAGE GRINDER IS NOT ALLOWED WITH THIS DESIGN.
- THE SEPTIC TANK IS TO BE INSPECTED TWICE A YEAR AND CLEANED WHEN THE SOLIDS EQUAL ONE THIRD THE LIQUID DEPTH.
- BREAKOUT ELEVATION = 157.6. NO FINISHED GRADE BELOW 157.6 FOR 15 FEET (MINIMUM) FROM THE EDGE OF THE LEACHING AREA.
- CONTRACTOR SHALL CONTACT "DIG-SAFE" PRIOR TO CONSTRUCTION. LOCATION OF UTILITIES ON THIS PLAN ARE FROM EXISTING INFORMATION, BUT ARE ONLY TO BE CONSIDERED APPROXIMATE.
- INLET AND OUTLET TEES FOR SEPTIC TANK ARE TO BE LOCATED DIRECTLY BELOW ACCESS COVERS. SINCE THE GROUNDWATER LEVELS FLUCTUATE ANNUALLY, NO WARRANTY OF A DRY CELLAR IS EXPRESSED OR IMPLIED.
- ALL STONE USED FOR CONSTRUCTION OF THE SOIL ABSORPTION SYSTEM MUST BE DOUBLE WASHED AS SPECIFIED BY 310 CMR 15.247.
- SEPTIC TANK AND PUMP CHAMBER SHALL BE DESIGNED FOR HS-20-44 LOADING.
- THE DESIGNER EXPRESSLY DISCLAIMS ANY RESPONSIBILITY FOR MONITORING, INSPECTING OR SUPERVISING THE ACTUAL CONSTRUCTION WORK AFTER EXCAVATING AND PRIOR TO INSTALLING ANY IMPORTED MATERIAL. CONTACT THE BOARD OF HEALTH AGENT FOR A BOTTOM OF EXCAVATION INSPECTION AFTER SYSTEM COMPONENTS ARE IN PLACE AND PRIOR TO BACKFILLING. CONTACT THE DESIGNER TO VERIFY THE LOCATION AND ELEVATION OF SYSTEM COMPONENTS AND PREPARE A RECORD DRAWING AS REQUIRED BY THE BOARD OF HEALTH.
- THE DESIGNER EXPRESSLY DISCLAIMS ANY RESPONSIBILITY FOR THE INSTALLATION AND MAINTENANCE OF THE SYSTEM. IT SHALL BE THE RESPONSIBILITY OF THE INSTALLER TO CONSTRUCT THE SYSTEM IN ACCORDANCE WITH 310 CMR 15.00 AND LOCAL BOARD OF HEALTH REGULATIONS AND THE RESPONSIBILITY OF THE OWNER FOR PROPERLY MAINTAINING THE SYSTEM IN ACCORDANCE WITH 310 CMR 15.00 AND THE LOCAL BOARD OF HEALTH REGULATIONS.
- REFER TO 310 CMR 15.00 AND THE LOCAL BOARD OF HEALTH REGULATIONS FOR ADDITIONAL INFORMATION CONCERNING THE CONSTRUCTION AND OPERATION OF THE SYSTEM. THE INSTALLER AND OWNER SHOULD REVIEW AND APPLY 310 CMR 15.00 AND THE LOCAL BOARD OF HEALTH REGULATIONS.
- SYSTEM INSTALLER TO SUBMIT SHOP DRAWINGS OF ALL SYSTEM COMPONENTS TO WATERMAN ENGINEERING CO. FOR REVIEW AND APPROVAL PRIOR TO ORDERING AND INSTALLATION.
- SYSTEM TO BE CONSTRUCTED BY AN INSTALLER LICENSED BY THE SEEKONK BOARD OF HEALTH.
- ALL ELECTRIC WORK TO BE DONE IN ACCORDANCE WITH ALL APPLICABLE REGULATIONS.



**DB-14 DISTRIBUTION BOX**

- NOTES:
- Concrete 4000 P.S.I. Minimum Strength @ 28 Days
  - Steel Reinforcement ASTM A.615, Grade 60
  - Cover to Steel-1" Minimum
  - Design Loading - HS20



**3,000 GALLON SEPTIC TANK w/ PUMPING INSTALLATION**

DEEP OBSERVATION HOLE "1" LOG ORIGINAL GRADE - 157.6 ±						
DEPTH	SOIL HORIZON	SOIL TEXTURE	SOIL COLOR	SOIL MOTTLING	OTHER	
0-24"	Bw1	LOAM FILL	BROWN			
24 - 62"			BROWN TAN	0 54"	ROCKS FIRM	
62 - 108"	Cd1	GRAVEL				
GROUNDWATER WEeping - N/A GROUNDWATER STANDING - N/A ESTIMATED HIGH GROUNDWATER - N/A PERCOLATION TEST AT 48" - 70" = 4 MIN/IN						
REMOVE TO 3" INTO C1 HORIZON DATE OF TEST - SEPTEMBER 15, 2003 WITNESS - MR. MELLO, SEEKONK BOARD OF HEALTH						

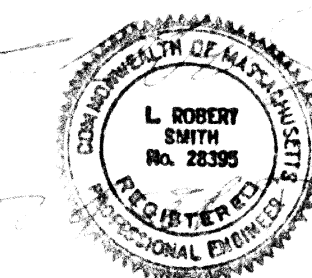
DEEP OBSERVATION HOLE "2" LOG ORIGINAL GRADE - 157.6 ±						
DEPTH	SOIL HORIZON	SOIL TEXTURE	SOIL COLOR	SOIL MOTTLING	OTHER	
0-24"	Bw1	LOAM FILL	BROWN			
24 - 58"			BROWN TAN	0 60"	ROCKS FIRM	
58 - 108"	Cd1	GRAVEL				
GROUNDWATER WEeping - N/A GROUNDWATER STANDING - N/A ESTIMATED HIGH GROUNDWATER - N/A PERCOLATION TEST AT 48" - 70" = 4 MIN/IN						
REMOVE TO 3" INTO C1 HORIZON DATE OF TEST - SEPTEMBER 15, 2003 WITNESS - MR. MELLO, SEEKONK BOARD OF HEALTH						

PERC TEST HOLE "1" LOG ORIGINAL GRADE - 157.6 ±					
DEPTH	SOIL HORIZON	SOIL TEXTURE	SOIL COLOR	PERC	DESIGN
0-24"	Bw1	LOAM FILL / GRAVEL	TAN	1" / 4 MIN.	1" / 5 MIN.
24 - 58"					
DATE OF TEST - SEPTEMBER 15, 2003 WITNESS - MR. MELLO, SEEKONK BOARD OF HEALTH					

PERC TEST HOLE "2" LOG ORIGINAL GRADE - 157.6 ±					
DEPTH	SOIL HORIZON	SOIL TEXTURE	SOIL COLOR	PERC	DESIGN
0-24"	Bw1	LOAM FILL / GRAVEL	TAN	1" / 4 MIN.	1" / 5 MIN.
24 - 53"					
DATE OF TEST - SEPTEMBER 15, 2003 WITNESS - MR. MELLO, SEEKONK BOARD OF HEALTH					



NO.	DATE	REVISION	BY

SHEET TITLE <b>DETAIL PLAN</b>		PROJECT NO. 0303.081
SCALE 1"=20'		DATE 7/24/03
PROJECT PREPARED FOR: <b>SEEKONK SWIM CLUB</b> DAVIS STREET - SEEKONK, MASSACHUSETTS		DRAWN BY RAH
CHECKED BY RSL		FILENAME 0308151_REV
<b>WATERMAN ENGINEERING CO.</b> CIVIL ENGINEERS - SURVEYORS EAST PROVIDENCE, RHODE ISLAND		2 of 2 SHTS

**COPYRIGHT**  
 THESE DRAWINGS ARE THE PROPERTY OF THE ENGINEER/SURVEYOR AND HAVE BEEN PREPARED FOR THE OWNER, FOR THIS PROJECT AT THIS SITE AND ARE NOT TO BE USED FOR ANY OTHER PURPOSE, LOCATION OR OWNER WITHOUT WRITTEN CONSENT OF THIS OWNER OR ONE OF ITS DIRECTORS.  
 WATERMAN ENGINEERING CO.  
 CIVIL ENGINEERS & SURVEYORS  
 140 NORTH BROADWAY  
 EAST PROVIDENCE, RI 02914-2096