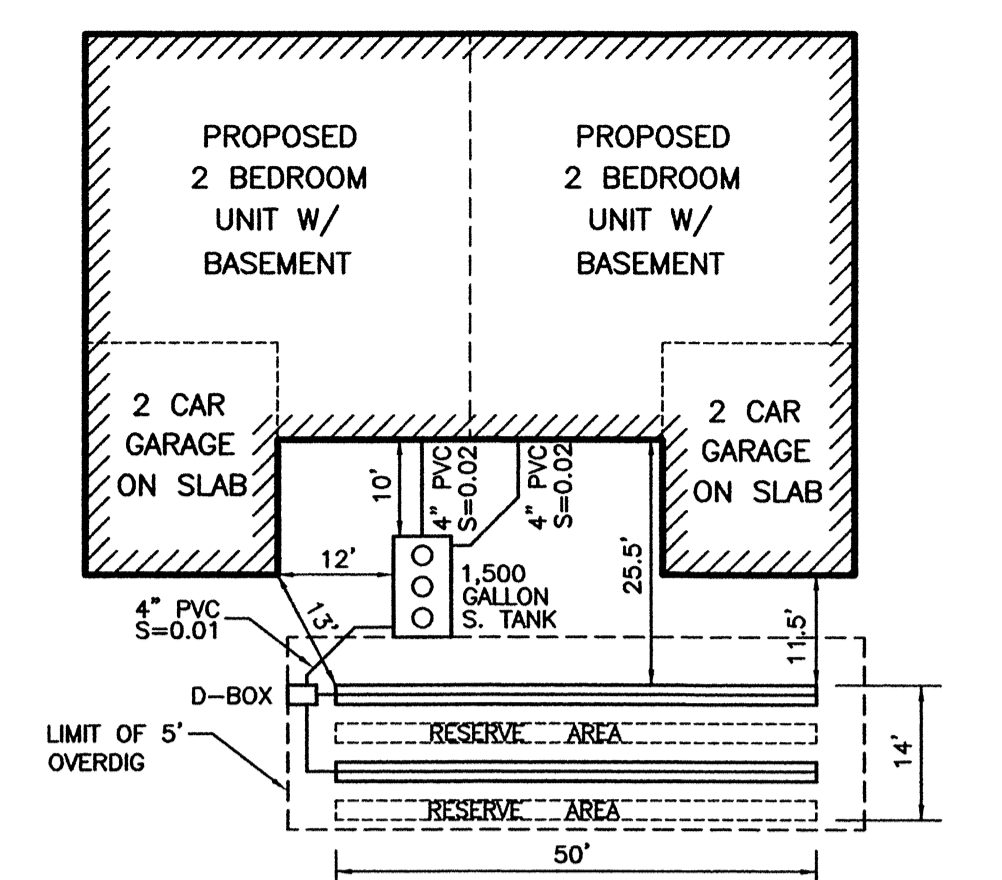


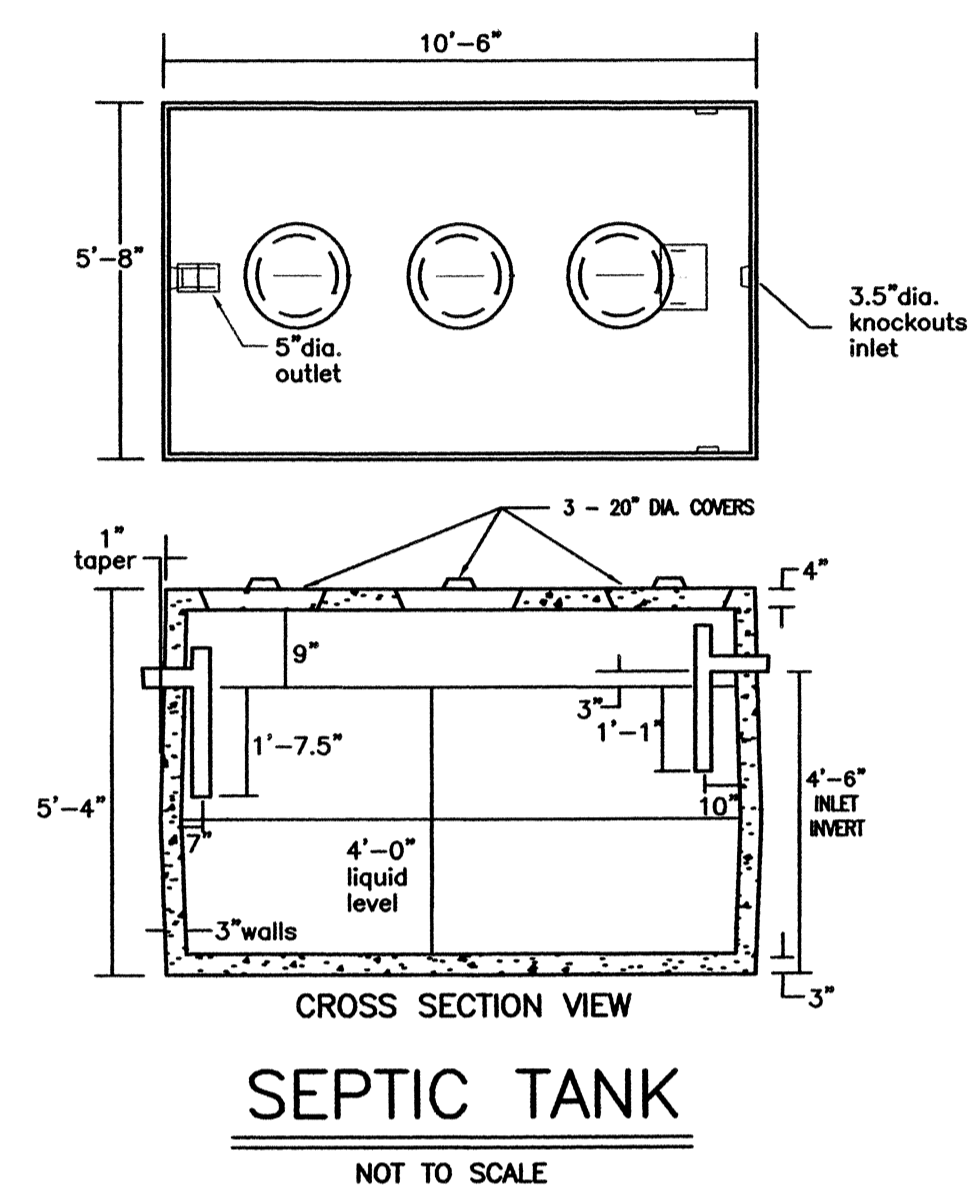
SYSTEM PROFILE

DESIGN DATA

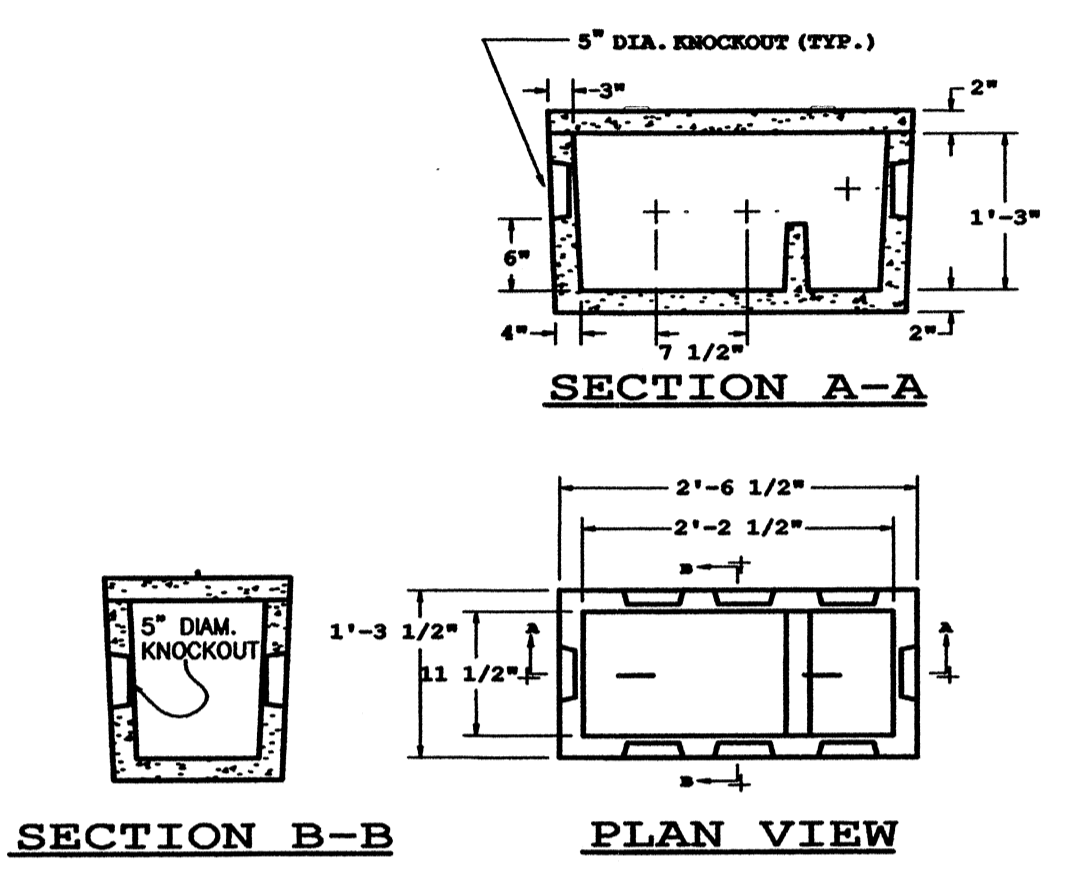
DESIGN PERC RATE: 1" IN < 2 MINUTES
 DESIGN FLOW: 4 BEDROOMS X 110 GPD/BDR = 440 GPD REQUIRED
 LEACHING FIELD DESIGN: 440 GPD / 0.74 GPD/S.F. = 595 S.F. REQUIRED
 USING 2 - 2' WIDE, 50' LONG LEACHING TRENCHES :
 SIDEWALL AREA: 2 X 2 TR. X 2' H X 50' L = 400 S.F.
 BOTTOM AREA: 2 TR. X 2' W X 50' L = 200 S.F.
 TOTAL LEACHING AREA: 400 S.F. + 200 S.F. = 600 S.F. > 595 S.F.
 THEREFORE, USE 2 - 2' WIDE X 50' LONG LEACHING TRENCHES.



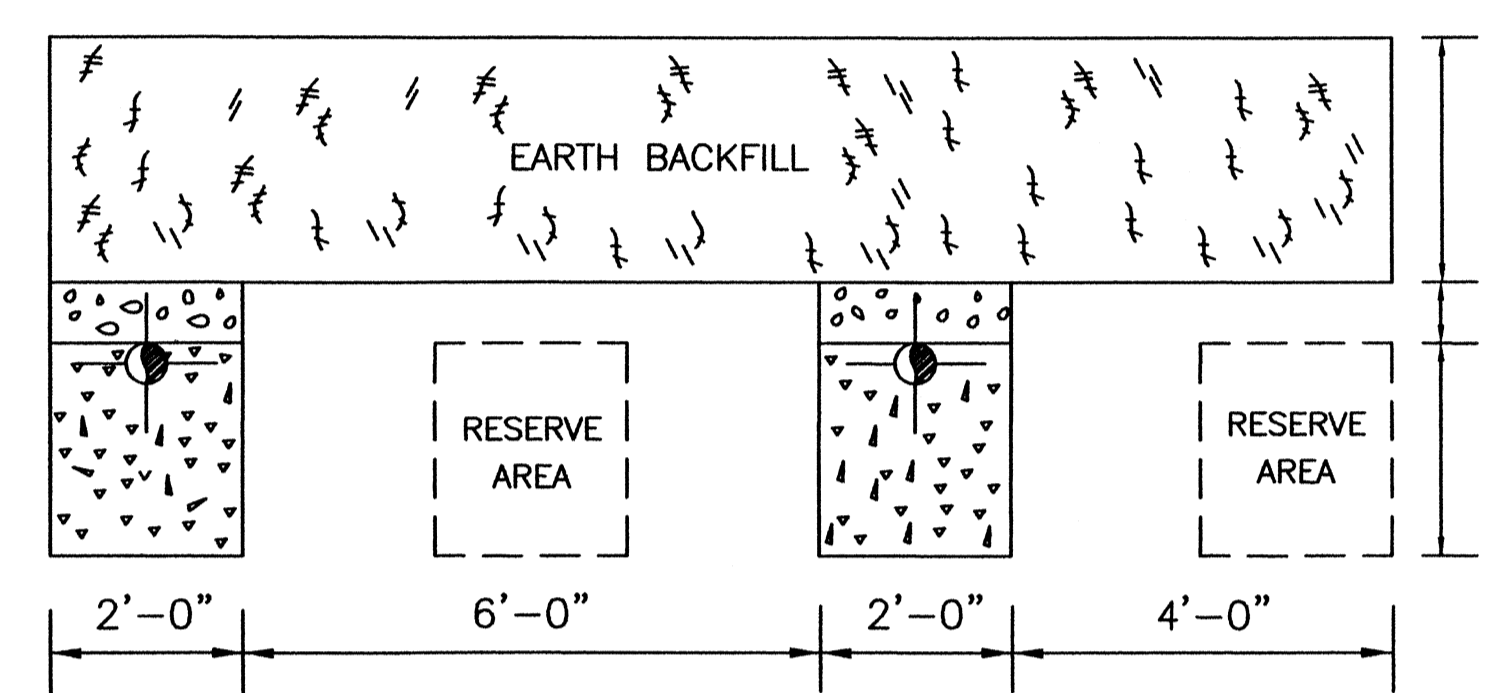
TYPICAL SYSTEM PLAN VIEW
 SCALE: 1" = 20'



SEPTIC TANK
 NOT TO SCALE



DISTRIBUTION BOX
 NOT TO SCALE



TYPICAL TRENCH CROSS SECTION
 NOT TO SCALE

TABLE OF SEPTIC SYSTEM ELEVATIONS

T.O.F. A	B	C	D	E	F	G	H	I	J	K	L
81.50	74.00	81.00	79.00	78.70	78.45	78.33	78.15	78.15	77.90	75.90	80.50
81.00	73.50	80.50	78.50	78.20	77.95	77.83	77.65	77.65	77.40	75.40	80.00
80.00	72.50	79.50	77.50	77.20	76.95	76.83	76.65	76.65	76.40	74.40	79.00
79.50	72.00	79.00	77.00	76.70	76.45	76.33	76.15	76.15	75.90	73.90	78.50
79.00	71.50	78.50	76.50	76.20	75.95	74.83	75.65	75.65	75.40	73.40	78.00
78.50	71.00	78.00	76.00	75.70	75.45	75.33	75.15	75.15	74.90	72.90	77.50
77.50	70.00	77.00	75.00	74.70	74.45	74.33	74.15	74.15	73.90	71.90	76.50

TEST PIT DATA

TP - 1 PERFORMED BY: DAN AGUIAR WITNESSED BY: J.R. CHENEVERT DATE: 1-11-05
 A SANDY LOAM
 B LOAMY SAND
 C1 LOAMY SAND
 C2 LOAMY SAND
 PERC AT 48" PERC RATE: <2 MPI NO WATER ENC.

TP - 2 PERFORMED BY: DAN AGUIAR WITNESSED BY: J.R. CHENEVERT DATE: 1-11-05
 A SANDY LOAM
 B LOAMY SAND
 C COARSE SAND
 PERC AT 48" PERC RATE: <2 MPI NO WATER ENC.

TP - 3 PERFORMED BY: DAN AGUIAR WITNESSED BY: J.R. CHENEVERT DATE: 1-11-05
 A SANDY LOAM
 B LOAMY SAND
 C1 LOAMY SAND
 C2 LOAMY SAND
 PERC AT 48" PERC RATE: <2 MPI NO WATER ENC.

TP - 4 PERFORMED BY: DAN AGUIAR WITNESSED BY: J.R. CHENEVERT DATE: 1-11-05
 A SANDY LOAM
 B LOAMY SAND
 C1 COARSE SAND
 C2 FINE SAND
 C3 COARSE SAND
 PERC AT 48" PERC RATE: <2 MPI NO WATER ENC.

TP - 5 PERFORMED BY: DAN AGUIAR WITNESSED BY: J.R. CHENEVERT DATE: 1-11-05
 A SANDY LOAM
 B LOAMY SAND
 C MEDIUM TO COARSE SAND
 PERC AT 48" PERC RATE: <2 MPI NO WATER ENC.

TP - 6 PERFORMED BY: DAN AGUIAR WITNESSED BY: J.R. CHENEVERT DATE: 1-11-05
 O ORGANIC
 B LOAMY SAND
 C1 LOAMY SAND
 C2 LOAMY SAND
 PERC AT 48" PERC RATE: <2 MPI NO WATER ENC.

TP - 7 PERFORMED BY: DAN AGUIAR WITNESSED BY: J.R. CHENEVERT DATE: 1-11-05
 O ORGANIC
 B LOAMY SAND
 C1 MEDIUM SAND
 C2 VERY FINE SAND
 C3 MEDIUM SAND
 PERC AT 48" PERC RATE: <2 MPI NO WATER ENC.

TP - 8 PERFORMED BY: DAN AGUIAR WITNESSED BY: J.R. CHENEVERT DATE: 1-11-05
 O ORGANIC
 B LOAMY SAND
 C1 MEDIUM SAND
 C2 VERY FINE SAND
 C3 MEDIUM SAND
 PERC AT 48" PERC RATE: <2 MPI NO WATER ENC.

TP - 9 PERFORMED BY: DAN AGUIAR WITNESSED BY: J.R. CHENEVERT DATE: 1-11-05
 O ORGANIC
 B LOAMY SAND
 C1 MEDIUM SAND
 C2 FINE SAND
 C3 MEDIUM SAND
 PERC AT 48" PERC RATE: <2 MPI NO WATER ENC.

TP - 10 PERFORMED BY: DAN AGUIAR WITNESSED BY: J.R. CHENEVERT DATE: 1-11-05
 O ORGANIC
 B LOAMY SAND
 C1 MEDIUM SAND
 C2 FINE SAND
 C3 MEDIUM SAND
 PERC AT 48" PERC RATE: <2 MPI NO WATER ENC.

TP - 11 PERFORMED BY: DAN AGUIAR WITNESSED BY: J.R. CHENEVERT DATE: 1-11-05
 O ORGANIC
 B LOAMY SAND
 C MEDIUM SAND
 PERC AT 48" PERC RATE: <2 MPI NO WATER ENC.

TP - 12 PERFORMED BY: DAN AGUIAR WITNESSED BY: J.R. CHENEVERT DATE: 1-11-05
 O ORGANIC
 B LOAMY SAND
 C MEDIUM SAND
 PERC AT 48" PERC RATE: <2 MPI NO WATER ENC.

TP - 13 PERFORMED BY: DAN AGUIAR WITNESSED BY: J.R. CHENEVERT DATE: 1-11-05
 O ORGANIC
 B LOAMY SAND
 C MEDIUM SAND
 PERC AT 48" PERC RATE: <2 MPI NO WATER ENC.

TP - 14 PERFORMED BY: DAN AGUIAR WITNESSED BY: J.R. CHENEVERT DATE: 1-11-05
 O ORGANIC
 B LOAMY SAND
 C FINE TO MEDIUM SAND
 PERC AT 48" PERC RATE: <2 MPI NO WATER ENC.

TP - 15 PERFORMED BY: DAN AGUIAR WITNESSED BY: J.R. CHENEVERT DATE: 1-11-05
 O ORGANIC
 B LOAMY SAND
 C COARSE TO MEDIUM SAND
 PERC AT 48" PERC RATE: <2 MPI NO WATER ENC.

TP - 16 PERFORMED BY: DAN AGUIAR WITNESSED BY: J.R. CHENEVERT DATE: 1-11-05
 O ORGANIC
 B LOAMY SAND
 C1 COARSE SAND
 C2 FINE SAND
 C3 COARSE SAND
 C4 FINE SAND
 PERC AT 48" PERC RATE: <2 MPI NO WATER ENC.

TP - 17 PERFORMED BY: DAN AGUIAR WITNESSED BY: J.R. CHENEVERT DATE: 1-11-05
 O ORGANIC
 B LOAMY SAND
 C1 COARSE SAND
 C2 FINE SAND
 C3 COARSE SAND
 PERC AT 48" PERC RATE: <2 MPI NO WATER ENC.

TP - 18 PERFORMED BY: DAN AGUIAR WITNESSED BY: J.R. CHENEVERT DATE: 1-11-05
 O ORGANIC
 B LOAMY SAND
 C1 FINE SAND
 C2 COARSE SAND
 PERC AT 48" PERC RATE: <2 MPI NO WATER ENC.

TP - 19 PERFORMED BY: DAN AGUIAR WITNESSED BY: J.R. CHENEVERT DATE: 1-11-05
 A SANDY LOAM
 B LOAMY SAND
 C COARSE SAND
 PERC AT 48" PERC RATE: <2 MPI NO WATER ENC.

TP - 20 PERFORMED BY: DAN AGUIAR WITNESSED BY: J.R. CHENEVERT DATE: 1-11-05
 A SANDY LOAM
 B LOAMY SAND
 C COARSE SAND
 PERC AT 48" PERC RATE: <2 MPI NO WATER ENC.

CONTRACTOR NOTES

- THIS SYSTEM SHALL BE INSTALLED IN ACCORDANCE WITH THE TOWN OF SEEKONK BOARD OF HEALTH REGULATIONS.
- DOUBLE WASHED CRUSHED STONE SHALL BE FREE OF ALL DIRT, DUST AND FINES.
- ALL ELEVATIONS ARE BASED ON MSL ELEVATION DATUM.
- HEAVY EQUIPMENT SHALL NOT BE ALLOWED TO OPERATE OVER THE LIMITS OF THE OF THE SEWAGE DISPOSAL SYSTEM DURING THE COURSE OF CONSTRUCTION.
- NO FIELD MODIFICATIONS TO THE SEWAGE DISPOSAL SYSTEM SHALL BE MADE WITHOUT PRIOR WRITTEN APPROVAL OF THE DESIGN ENGINEER AND THE LOCAL BOARD OF HEALTH.
- UNLESS OTHERWISE NOTED ALL SYSTEM COMPONENTS SHALL BE INSTALLED IN ACCORDANCE WITH TITLE V OF THE STATE ENVIRONMENTAL CODE AND ANY LOCAL REGULATIONS.
- SEPTIC TANK AND DISTRIBUTION BOX SHALL BE MANUFACTURED BY A. ROTONDO & SONS OR APPROVED EQUAL.
- GROUT TO BE USED AT ALL POINTS WHERE PIPES ENTER OR LEAVE ALL CONCRETE STRUCTURES IN ORDER TO PROVIDE A WATERTIGHT SEAL.
- ALL SHUPLAP JOINTS IN THE SEPTIC TANK SHALL BE SEALED WITH NEOPRENE GASKETS OR ASPHALT CEMENT.
- EXCAVATE ALL UNSUITABLE MATERIAL IN LEACHING AREA AND BACKFILL WITH CLEAN GRANULAR SAND AS REQUIRED BY THE SEEKONK B.O.H AND TITLE V.
- THIS SYSTEM IS NOT DESIGNED FOR A GARBAGE DISPOSAL UNIT.

Scale: 1" = 50'
 Date: 1-19-05
 No. 1
 Project: BROOK STREET SEEKONK, MASSACHUSETTS
 Client: STONE GATE BUILDERS, L.L.C.
 Drawing Title: PRELIMINARY SUBSURFACE SEWAGE DISPOSAL SYSTEM PLAN
 SHEET 2 OF 2
 BOH-1
 SITEC, Inc.
 12 Welby Road
 Seekonk, MA 02745
 (508) 898-7272
 (508) 898-7554
 Civil and Environmental Engineering
 Land Use Planning
 Acad No. 3058_CONCEPT_NO.1.DWG
 File No. FILE NO. 03-3058