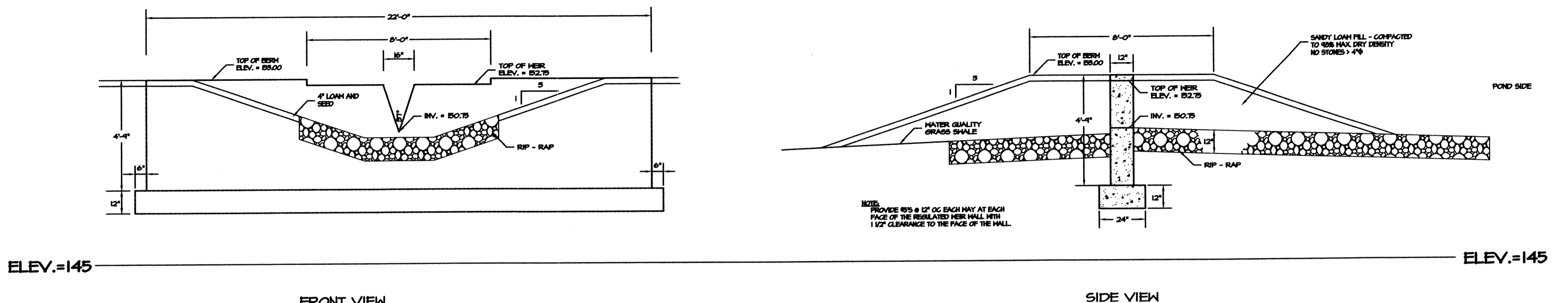
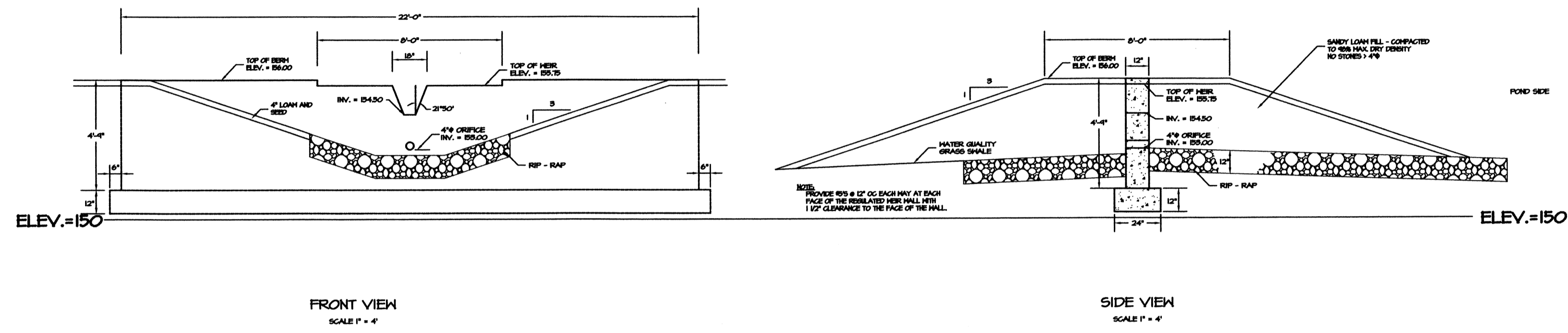


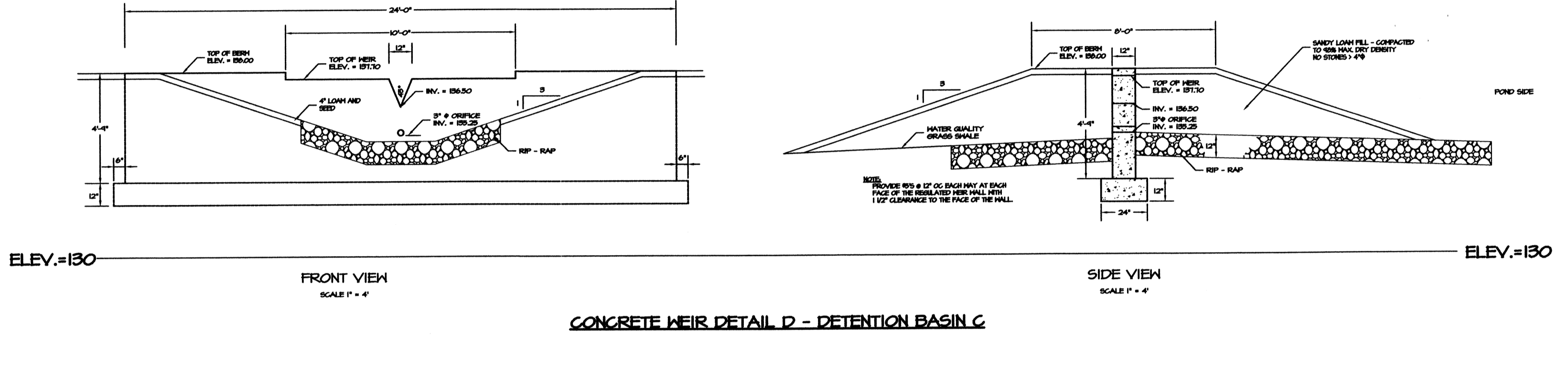
CONCRETE WEIR DETAIL A - DETENTION BASIN A



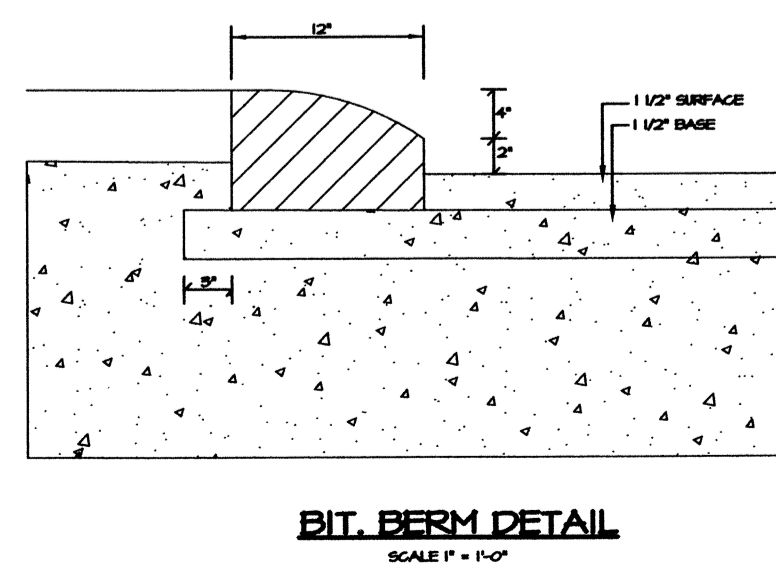
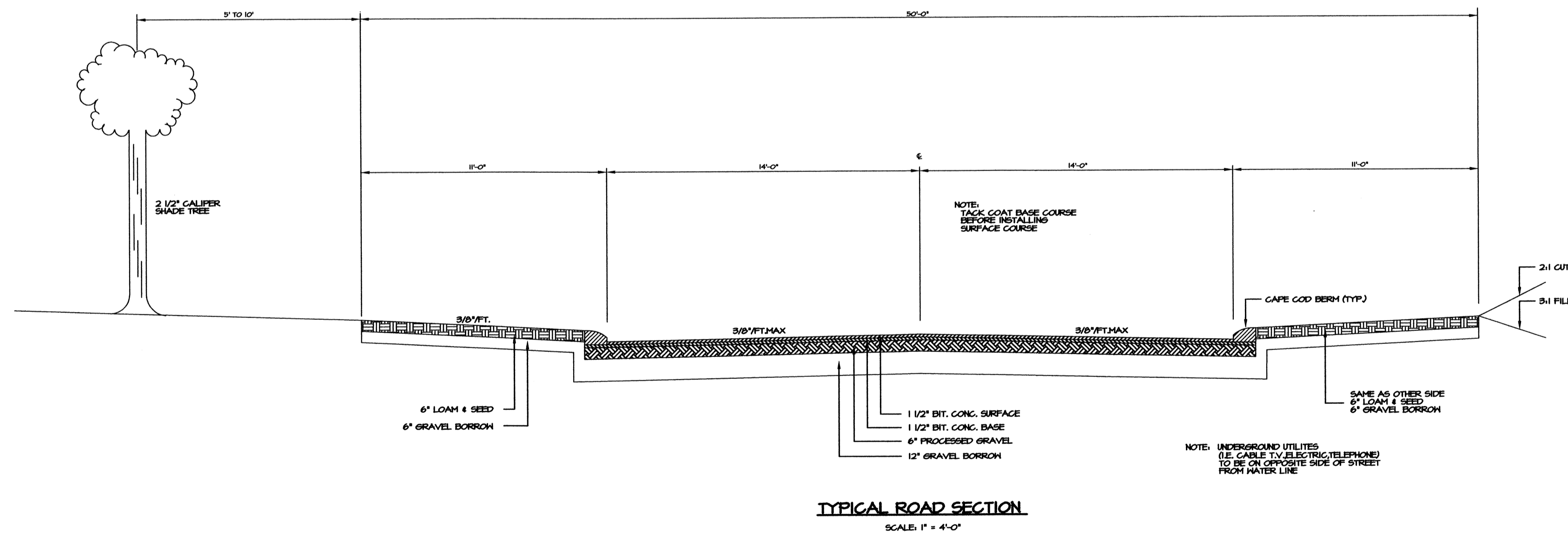
CONCRETE WEIR DETAIL B - DETENTION BASIN D



CONCRETE WEIR DETAIL C - DETENTION BASIN E



CONCRETE WEIR DETAIL D - DETENTION BASIN C



69-504

DETAILS NO. 2

DEFINITIVE SUBDIVISION HOLLAND WOODS BELONGING TO H. CHARLES TAPLAIAN REHOBOTH, MASSACHUSETTS	
CAPUTO AND WICK LTD.	DATE JULY 31, 2002
1150 PAWTUCKET AVE. RUMFORD, R.I. 02916 401-434-8880	SHEET 21 OF 22