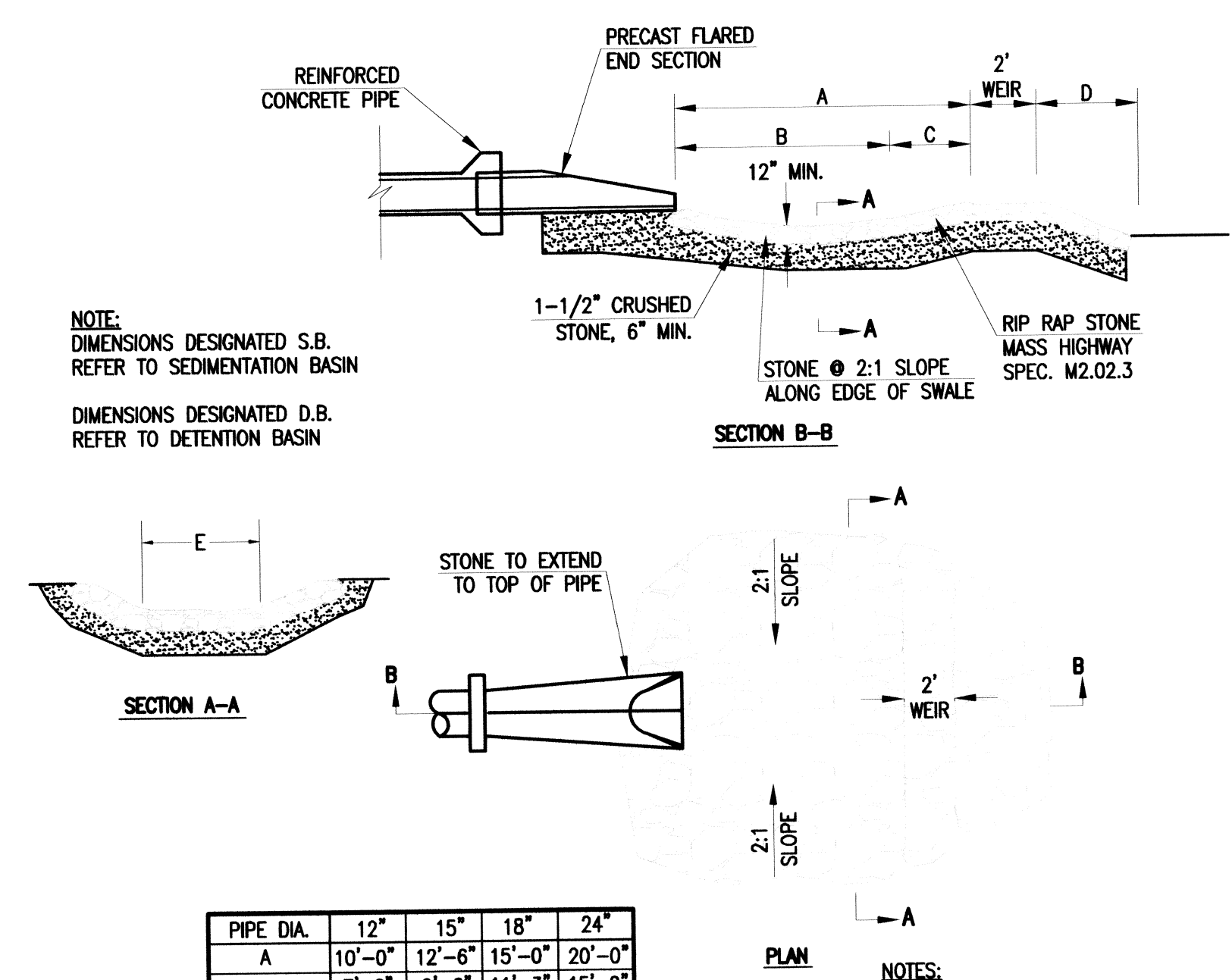
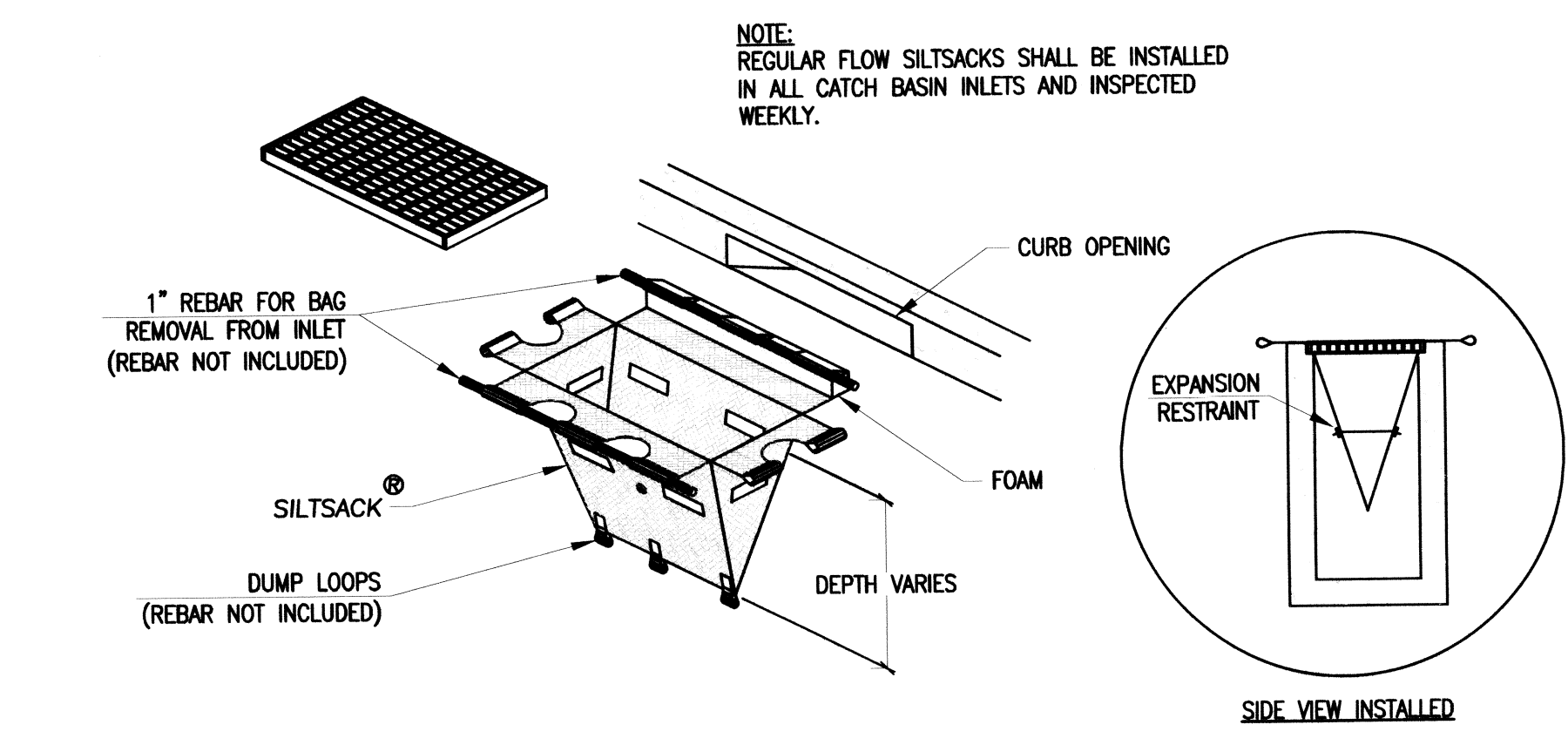
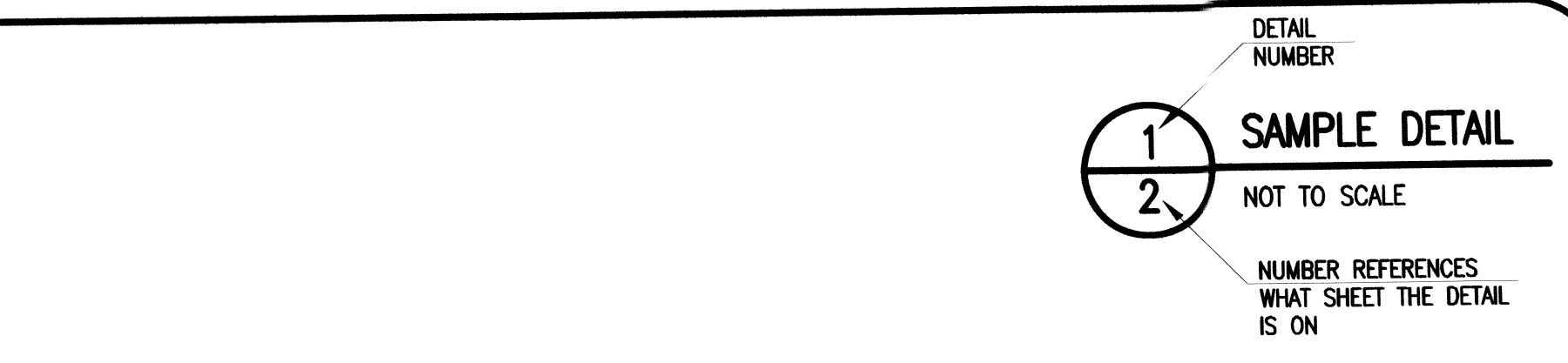


**1**  
**7** STONE LINED SWALE  
NOT TO SCALE



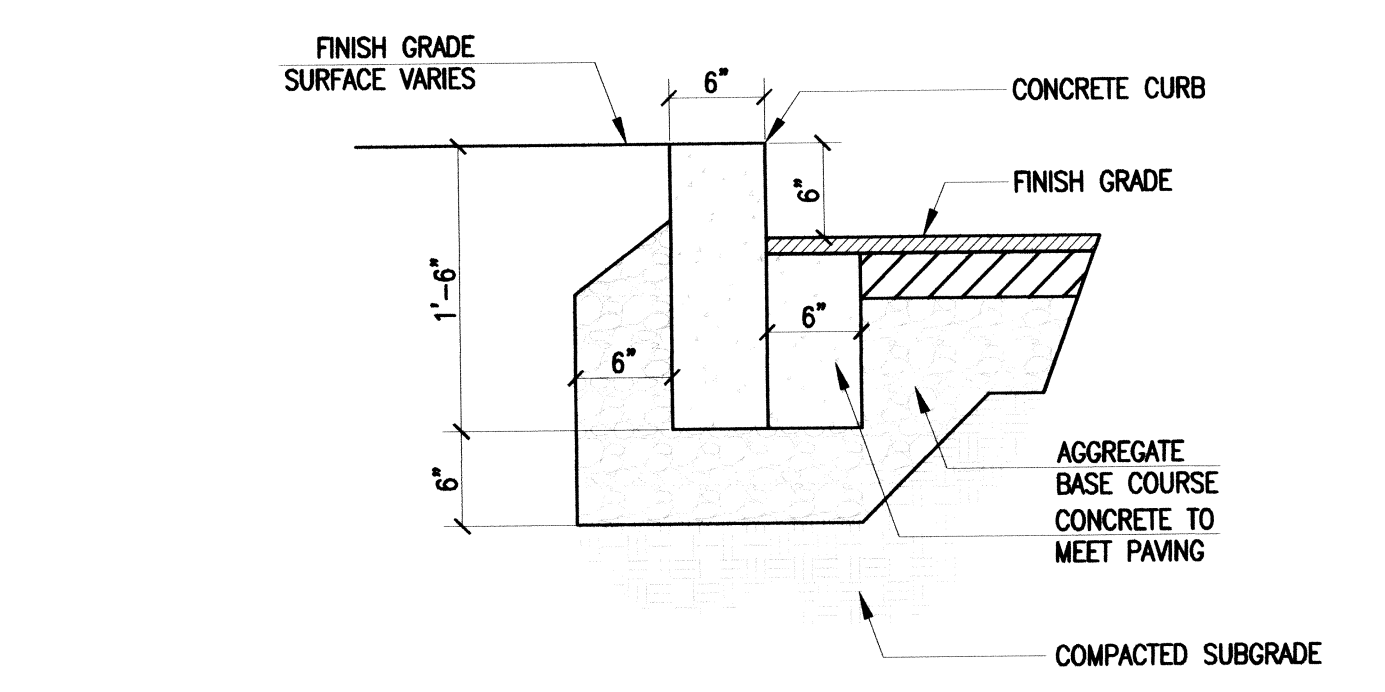
PIPE DIA.	12"	15"	18"	24"
A	10'-0"	12'-6"	15'-0"	20'-0"
B	7'-6"	9'-6"	11'-3"	15'-0"
C	2'-6"	3'-0"	3'-9"	5'-0"
D	3'-0"	4'-0"	4'-6"	6'-0"
E	4'-0"	5'-0"	6'-0"	8'-0"

**2**  
**7** FLARED END OUTLET  
NOT TO SCALE



**3**  
**8** REGULAR FLOW SILTSACK®  
NOT TO SCALE

**5**  
**7** LEVEL SPREADER  
NOT TO SCALE



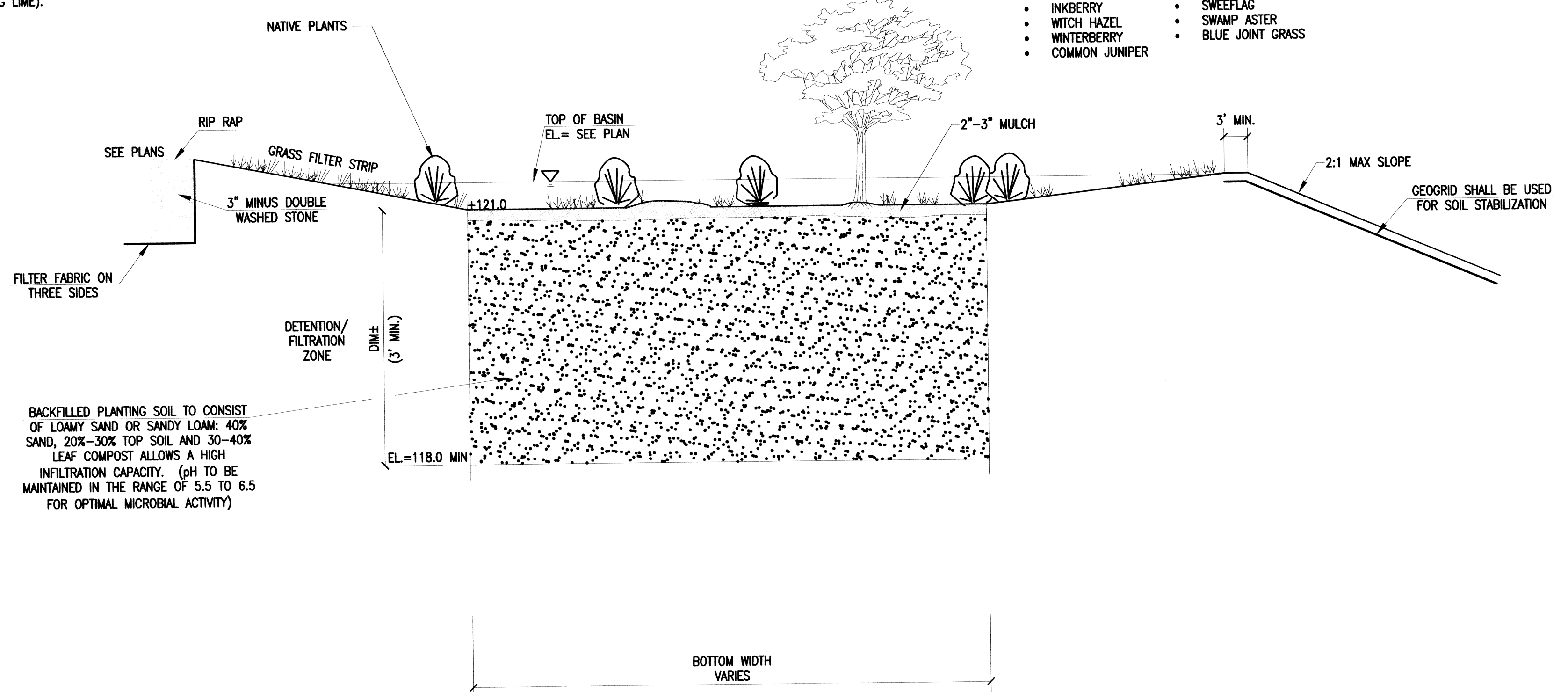
**6**  
**7** VERTICAL CONCRETE CURB  
NOT TO SCALE

**OPERATIONS AND MAINTENANCE:**

UNTIL VEGETATION HAS BEEN ESTABLISHED, MONTHLY INSPECTIONS ARE RECOMMENDED. ONCE VEGETATION HAS BEEN ESTABLISHED, THE BASE SHALL BE INSPECTED ON AN ANNUAL BASIS. MAINTENANCE SHOULD CONSIST NORMALLY OF REMOVAL OF DEBRIS (PRIMARILY AT THE INFLOW POINT) AND ACCUMULATED SEDIMENT. DURING THE GROWING SEASON THE FILTER STRIP SHALL BE MOWED AT LEAST ONCE A MONTH. OTHER MAINTENANCE TASKS INCLUDE UNBLOCKING THE SUBSURFACE DRAIN, REPLACEMENT OF DEAD VEGETATION, EROSION REPAIR AND pH REGULATION (USUALLY ADDING LIME).

**PLANTING NOTES:**  
PLANT ONE SHRUB PER 50 SQUARE FEET OF RAIN GARDEN AREA AND AT LEAST THREE SPECIES EACH OF HERBACEOUS PERENNIALS AND SHRUBS. INVASIVE AND EXOTIC SPECIES ARE PROHIBITED.  
REQUIRED SHRUBS:  
RAIN GARDEN = 71 (5,300 S.F./50)

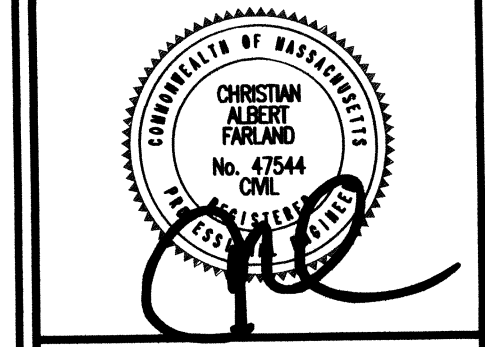
- HERBACEOUS SPECIES SELECTION (MIX AND MATCH- OTHERS MAY BE USED IF IN ACCORDANCE WITH THE STORMWATER MANAGEMENT REGULATIONS):**
- INDIAN GRASS
  - RED CHOKEBERRY
  - SWEET PEPPERBUSH
  - SILKY DOGWOOD
  - INKBERRY
  - WITCH HAZEL
  - WINTERBERRY
  - COMMON JUNIPER
  - CREEPING JUNIPER
  - BAY BERRY
  - BUTTON BUSH
  - SWAMP AZALEA
  - SWEEFLAG
  - SWAMP ASTER
  - BLUE JOINT GRASS



**4**  
**7** BIO-RETENTION AREA 2 (PROFILE)  
NOT TO SCALE

REVISIONS

1	11/8/13	PER CEI COMMENTS
2		



**THOMPSON FARLAND**  
PROFESSIONAL ENGINEERS // LAND SURVEYORS  
www.ThompsonFarland.com  
WWW.THOMPSONFARLAND.COM  
NEW BEDFORD, MA 02740 P.508.717.3478  
(MAIN OFFICE) 398 COUNTY STREET, NEW BEDFORD, MA 02740 P.508.717.3478  
CAMBRIDGE, MA 02142  
TAUNTON, MA 01960

DRAWN BY: AEC  
DESIGNED BY: CAF  
CHECKED BY: CAF/BJM

DEFINITIVE SUBDIVISION PLAN  
JACOB HILL ESTATES  
ASSESSORS MAP 17 PART OF LOT 79  
SEEKONK, MASSACHUSETTS  
PREPARED FOR:  
PALMER RIVER DEVELOPMENT  
1960 FALL RIVER AVENUE  
SEEKONK, MA 02771

OCTOBER 22, 2013  
SCALE: AS NOTED  
JOB NO. 12-325  
LATEST REVISION:  
DECEMBER 16, 2013