

ANY REPRODUCTION, POSSESSION, OR USE OF THIS DRAWING OR ANY PART THEREOF WITHOUT THE WRITTEN PERMISSION OF F.N. ZAINO & ASSOCIATES, INC. IS PROHIBITED. VIOLATORS WILL BE PROSECUTED TO THE FULL EXTENT OF THE LAW.

**GENERAL NOTES:**

1. ALL WORK AND MATERIALS SHALL CONFORM TO D.E.Q.E. TITLE 5 ENVIRONMENTAL CODE.
2. DESIGN PERC RATE IS 2 MIN/INCH BASED ON 5-9-89 WITNESSED TESTS: ~~DESIGN PERC RATE IS BASED ON 1.0 MIN/INCH UNLESS OTHERWISE NOTED BY SPECIAL INDICATIONS~~ (FOR 100% OF TREATMENT DRAIN FLOW).
3. DISTRIBUTION LINES SHALL BE PVC CONFORMING TO ASTM D3034.
4. ALL DISTRIBUTION BOX OUTLET PIPES SHALL BE RUN LEVEL FOR 3 FEET.
5. THE CONTRACTOR SHALL ESTABLISH A BASE OF LEVELS AND VERIFY INVERTS PRIOR TO EXCAVATION; SET PERMANENT BENCH MARK @ FIN FL. OF OFFICE BUILDING

**FLOW RATE SCHEDULE:**

**GRIST MILL**

RESTAURANT: 194 SEATS X 35 GAL/SEAT/DAY  
 LOUNGE: + 56 SEATS X 35 GAL/SEAT/DAY  
 = 8750 GAL/DAY

GIFT SHOP (5000 SF)  
 DRY GOODS STORE:  
 5000 SF X 5 GAL/100 SF/DAY = 250 GAL/DAY  
 FUTURE EXPANSION: = + 750 GAL/DAY  
 = 9750 GAL/DAY

FUTURE EXPANSION: = 9750 GAL/DAY

SEPTIC TANK REQUIREMENT = 9750 GAL/DAY (150%)  
 = 14625 GALLONS

14625 < 16000 (EXISTING TANK O.K.)

DESIGN REQUIREMENT FOR LEACHING FIELD (AS PER LOCAL ORDINANCE)

9750 GAL/DAY (150%) = 14625 GAL/DAY

DESIGN FIELD FOR ≥ 14625 GAL/DAY

**LEACHING AREA REQUIREMENTS**

PERCOLATION RATE	SIDEWALL AREA	BOTTOM AREA
2.0 MIN/INCH	2.5 GAL/SF	1.0 GAL/SF

**DESIGN FOR LEACHING GALLEYS**

**END UNIT:**

BOTTOM AREA = 5' X 6' = 30 SF  
 SIDEWALL AREA = 2(4.25 X 5) + (4.25 X 6) = 68 SF

**CAPACITY OF END UNIT**

30 SF (1.0 GAL/SF) = 30 GAL  
 + 68 SF (2.5 GAL/SF) = 170 GAL  
 = 200 GAL

**INTERIOR UNIT:**

BOTTOM AREA = 4' X 6' = 24 SF  
 SIDEWALL AREA = 2(4.25 X 4) = 34 SF

**CAPACITY OF INTERIOR UNIT**

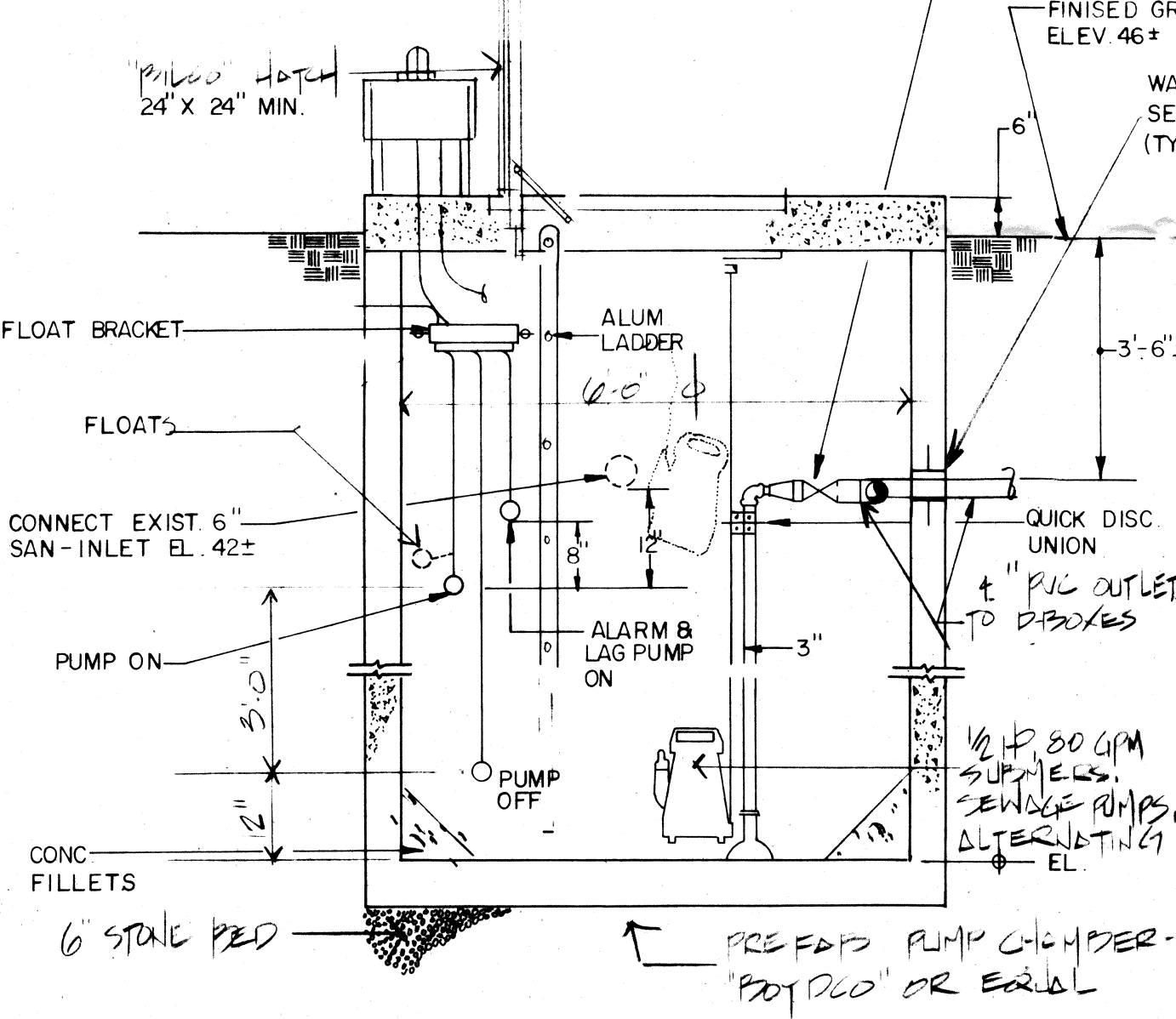
24 SF (1.0 GAL/SF) = 24 GAL  
 + 34 SF (2.5 GAL/SF) = 85 GAL  
 = 109 GAL

USE: 10 ROWS, 12 UNITS/ROW

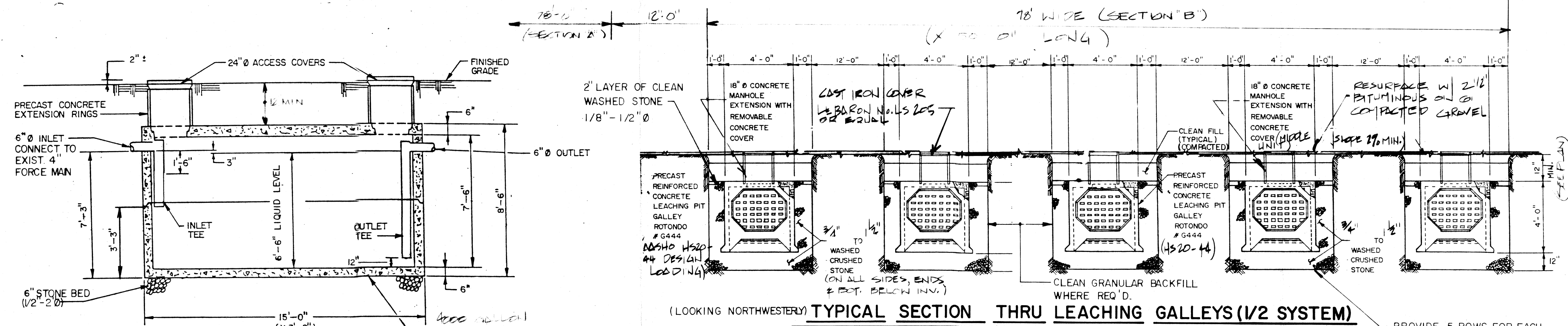
**CAPACITY OF LEACHING SYSTEM:**

(20 END UNITS) 200 GAL = 4000 GAL  
 + (100 INTERIOR UNITS) 109 GAL = 10900 GAL  
 = 14900 GAL

14900 > 14625

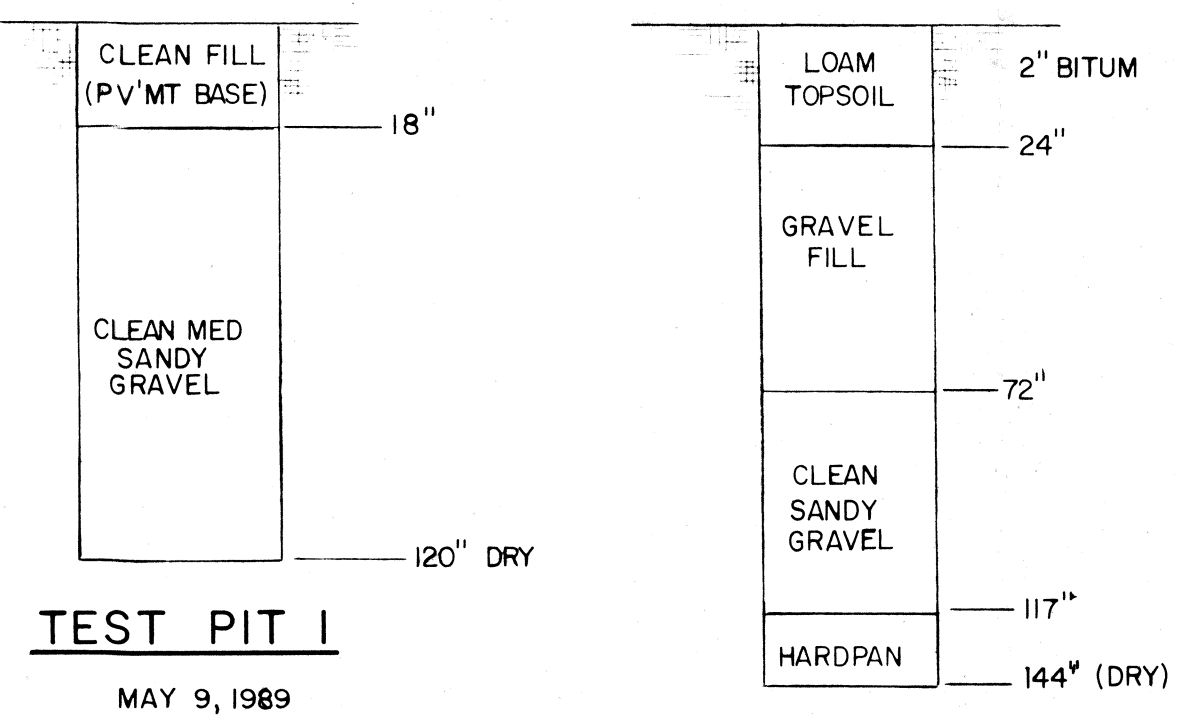


**DOSING CHAMBER DETAIL**



**TYPICAL SECTION THRU LEACHING GALLEYS (1/2 SYSTEM)**

(APPLIES TO DOSE SECTIONS "A" & "B")



**TEST PIT I**

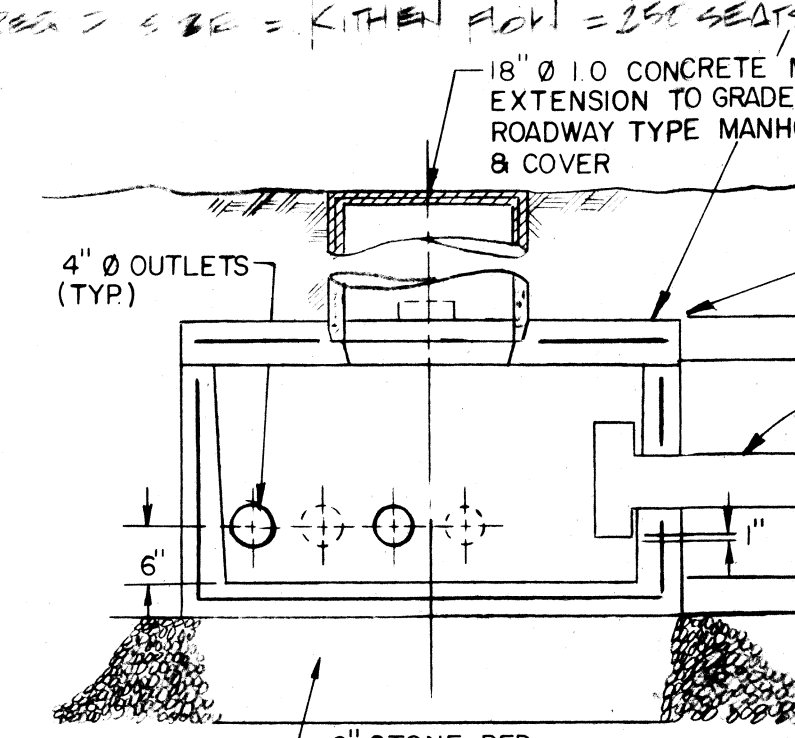
MAY 9, 1989

**TEST PIT (A)**

MARCH 4, 1975

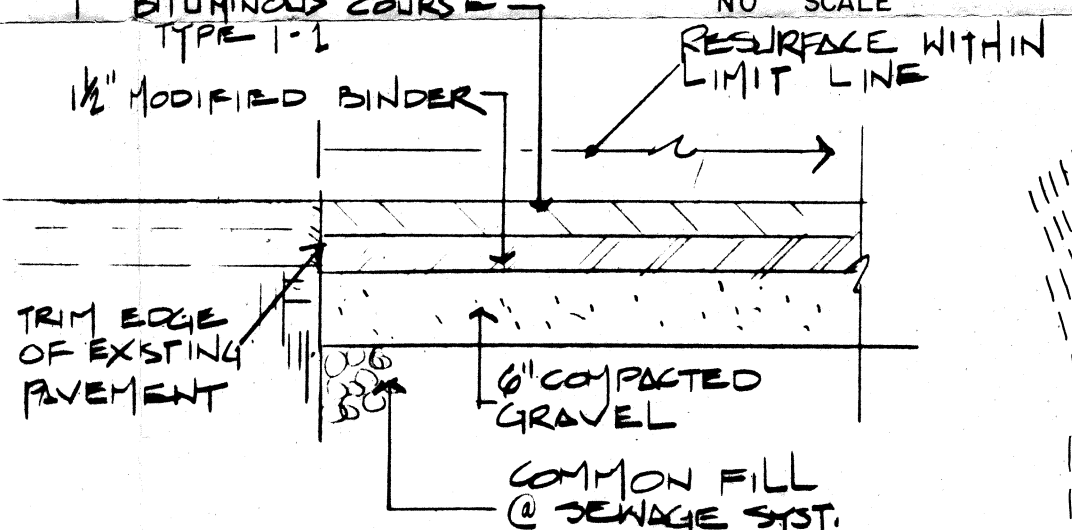
**GREASE TRAP DETAIL**

NOT TO SCALE



**D-BOX DETAIL**

NO SCALE



**PAVEMENT DETAIL**

NO SCALE



**DUPLEX SEWAGE PUMPS - EACH UNIT DISCHARGING TO A DOSE SECTION; PROVIDE GATE & CHECK VALVES ON EACH LINE; PROVIDE 3/4\"/>**

INSIDE PIT

FINISHED GRADE (EXIST) ELEV 46+

WATERTIGHT WALL SLEEVE SEAL W/ NON-SHRINK GROUT (TYPICAL)

QUICK DISC UNION

1/2\"/>

ALUM LADDER

CONNECT EXIST 6\"/>

FLOATS

FLOAT BRACKET

CONC FILLETS

6\"/>

PUMP OFF

ALARM & LAG PUMP ON

PUMP ON

3\"/>

3'-6\"/>

1/4\"/>

1/4\"/>

1/4\"/>

1/4\"/>

1/4\"/>

1/4\"/>

1/4\"/>

1/4\"/>

1/4\"/>

1/4\"/>

1/4\"/>

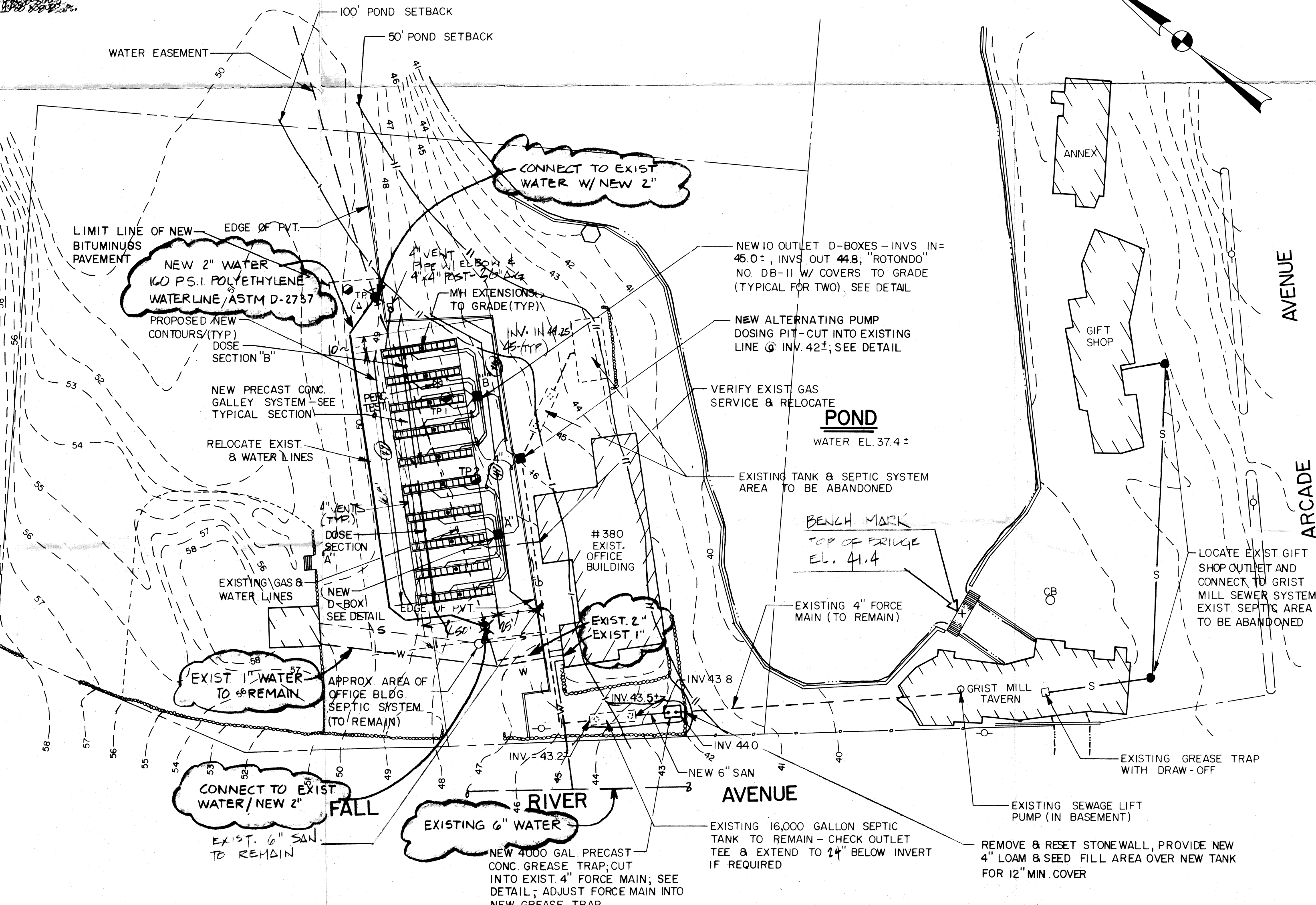
1/4\"/>

1/4\"/>

1/4\"/>

1/4\"/>

**LOCUS MAP**



**S I T E P L A N**

SCALE: 1" = 50'

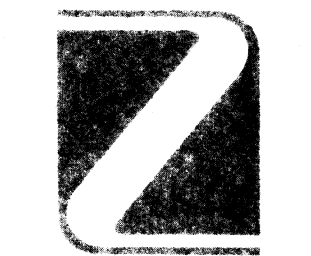
**CERTIFICATIONS**

**REVISIONS**  
 5-16-89 INCREASED DESIGN FLOW & SYSTEM SIZE, DROPPED PIPE SIZES & GREASE TRAP  
 5-18-89 ADDED NOTES & DETAILS  
 6-20-89 ADDED WATER LINE DATA

**PROJECT:**  
 REPAIRS & RENOVATIONS TO THE SEWAGE DISPOSAL SYSTEM FOR THE

**GRIST MILL TAVERN**

390 FALL RIVER AVE. SEEKONK MASS.



**F.N. ZAINO & ASSOCIATES, INC.**  
 1040 CRANSTON ST. CRANSTON, RI 02920  
 TEL: 401-944-9650

**SHEET TITLE:**  
 SITE PLAN & DETAILS  
 DESIGNED BY: B.D./D.P.  
 DRAWN BY: K.A.D./J.D.I.  
 CHECKED BY: D.P.

**FNZA PROJECT NO:** 2287  
**DATE:** MAY '89  
**SCALE:** AS NOTED  
**DRAWING NO:** SD-1

**SHEET** 1 **OF** 1