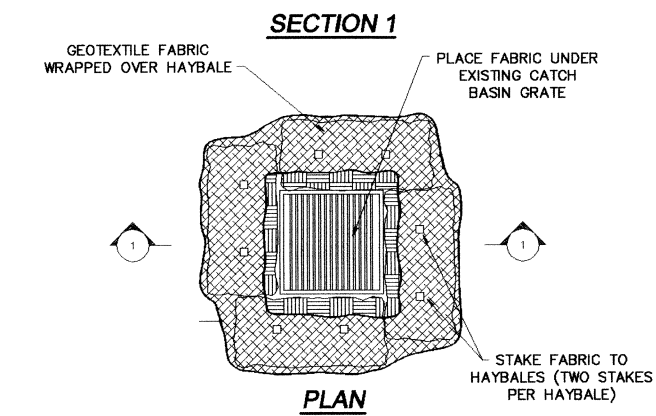
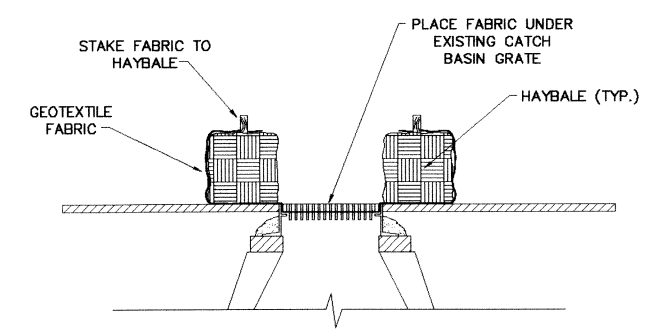
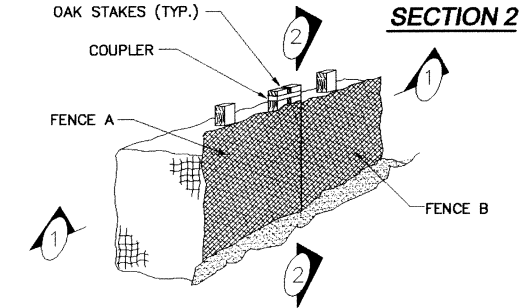
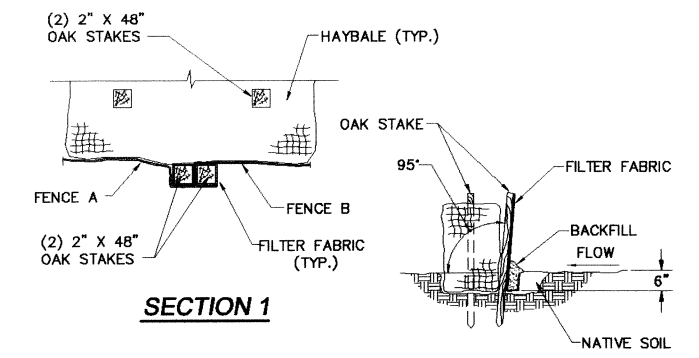


**PLAN**  
SCALE: 1" = 40'-0"



**DETAIL - SEDIMENTATION CONTROL AT CATCH BASIN**  
NOT TO SCALE



**ELEVATION**

- HAYBALES SHALL BE PLACED PRIOR TO START OF WORK.
- OAK STAKES SHALL BE DRIVEN AT LEAST 18" MIN. INTO GRADE.

**SEDIMENTATION CONTROL DETAIL - I**  
NOT TO SCALE

<table border="1"> <thead> <tr> <th colspan="3">REVISIONS</th> </tr> <tr> <th>NO.</th> <th>ITEM</th> <th>DATE</th> </tr> </thead> <tbody> <tr> <td> </td> <td> </td> <td> </td> </tr> </tbody> </table>		REVISIONS			NO.	ITEM	DATE				AMORY ENGINEERS, P.C. DATE: _____	<b>AMORY ENGINEERS, P.C.</b> DUXBURY, MASSACHUSETTS DRAWN BY: JDF DESIGNED BY: PGB CHECKED BY: DAJ DWSRF #: 842 JOB NO.: 2279 DATE: 10/11/01 SCALE: 1"=40'-0" DWG. NO.: 1000 CONTRACT: 2002-W1	SEEKONK WATER DISTRICT SEEKONK, MASSACHUSETTS CONSTRUCTION OF WATER TRANSMISSION MAIN AND APPURTENANT WORK PLANS 5 - McHALES PUMP STATION, DISTRICT PROPERTY & EROSION CONTROL DETAILS	CIVIL SHEET 5 OF 6
REVISIONS														
NO.	ITEM	DATE												

\\s\p\amory\amory\2279 transmission main design\dwg\5\1.dwg  
10/11/01 10:48 AM