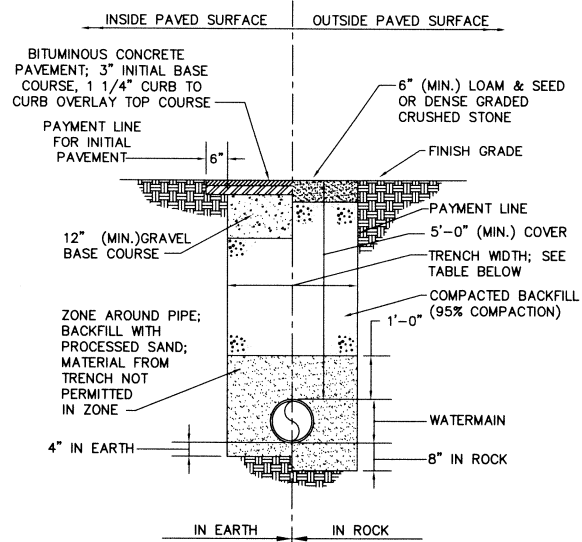


SIZE OF MAIN (IN.)	BENDS (90)	BENDS (45 & UNDER)	TEES, CAPS OR PLUGS
16	22	12	16
12	12	6	9
≤ 8	6	3	4

- NOTES:
1. CONCRETE FOR THRUST BLOCKS SHALL HAVE MINIMUM COMPRESSIVE STRENGTH OF 2000 PSI AT 28 DAYS, UNLESS DIRECTED OTHERWISE BY THE ENGINEER OR OWNER.
 2. THRUST BLOCK BEARING AREAS SHALL BE IN ACCORDANCE WITH TABLE, UNLESS DIRECTED OTHERWISE BY THE ENGINEER OR OWNER.
 3. THRUST BLOCK SIDES SHALL BE FORMED WITH PLYWOOD.

THRUST BLOCK DETAILS
NOT TO SCALE

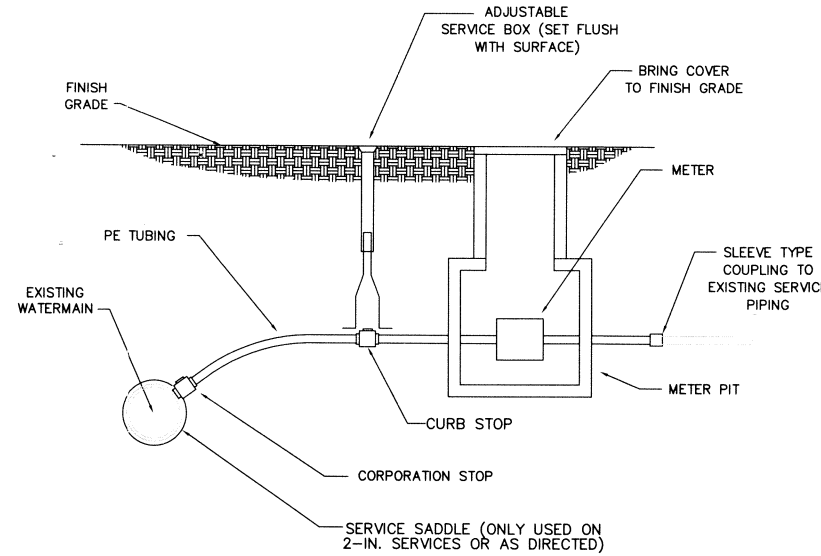


PIPE DIA.	12" & UNDER	16"
TRENCH WIDTH	3'-0"	3'-4"

NOTE: PAYMENT FOR INITIAL PAVEMENT INSTALLED BEYOND PAYMENT LINE WILL BE MADE ONLY WHEN SUCH INSTALLATION IS APPROVED BY THE ENGINEER.

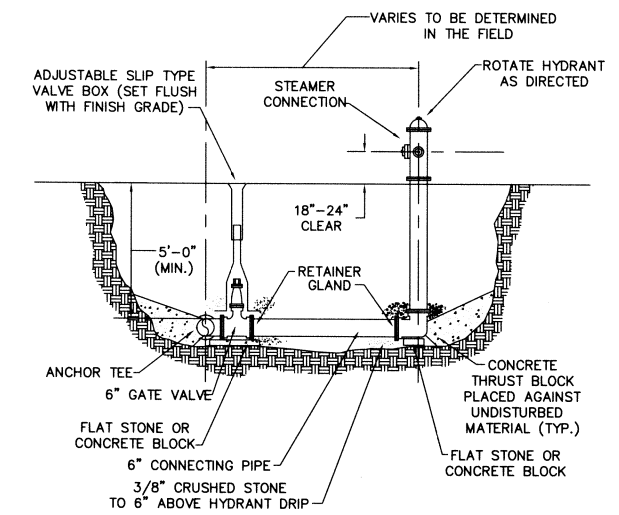
PAYMENT LIMIT FOR PAVEMENT OVERLAY SHALL EXTEND ONLY TO THE EXISTING PAVEMENT LIMITS. NO PAYMENT WILL BE MADE FOR WIDENING THE ROAD.

WATERMAIN TRENCH DETAIL
NOT TO SCALE



NOTE: REFER TO VALVES & APPURTENANCES OF THE CONTRACT SPECIFICATIONS FOR DETAIL SPECIFICATIONS.

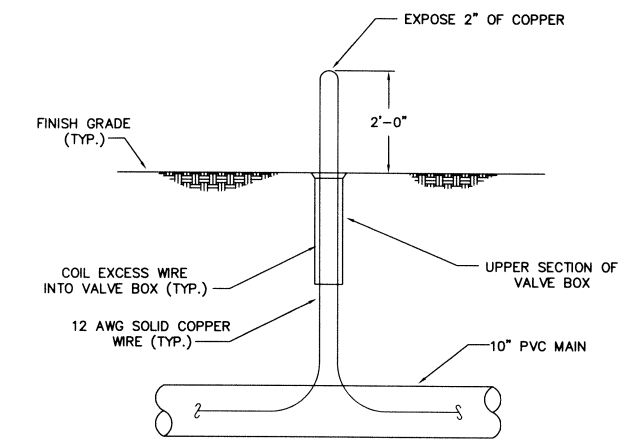
SERVICE CONNECTION DETAIL
COMPLETE
NOT TO SCALE



NOTE: 1. DEPTH OF HYDRANT BURY TO SUIT INSTALLED DEPTH OF COVER OVER WATERMAIN.

HYDRANT ASSEMBLY DETAIL
NOT TO SCALE

EXISTING		LEGEND		PROPOSED	
	DRAIN/SEWER MANHOLE		8" CAST IRON WATERMAIN		12" P.V.C.
	ELECTRIC/TELEPHONE MANHOLE		12" REINFORCED CONCRETE PIPE DRAIN		12"-11 1/4"
	CATCH BASIN/DROP INLET		2" RIGID METAL CONDUIT TRAFFIC SIGNAL		12"-22 1/2"
	CONCRETE/GRANITE BOUND		20" STEEL GAS MAIN		12"-45"
	HYDRANT		TELEPHONE/ELECTRIC CONDUIT		12"-90"
	WATER/GAS GATE		STONE WALL		CAP AND THRUST BLOCK
	WATER/GAS SERVICE		RETAINING WALL		12" X 8" TEE
	UTILITY POLE NO. 125		EDGE OF WOODS		12" G.V.
	UTILITY POLE NO. 125 WITH OVERHEAD LIGHT		STEEL GUARD RAIL		12" B.V.
	LAMP POST		WOOD POST AND WIRE GUARD RAIL		HYDRANT ASSEMBLY
	STREET SIGN		LEDGE OR ROCK OUTCROP		SOLID SLEEVE / COUPLING
	MAIL BOX		EDGE OF WATER BODY		REDUCER
	WELL		BORING LOCATION		COUPLING
	WARNING SIREN		TEST PIT LOCATION		SEDIMENTATION CONTROL AT CATCH BASIN OR DROP INLET
	FLAG POLE				SILTATION FENCING
	TREES, SHRUBS OR BUSHES				MINIMUM COVER OVER WATERMAIN = 5'-0"
	TRAFFIC CONTROL HANDHOLE/METER PEDESTAL				TEST PIT
	TRAFFIC CONTROL CONTROLLER/DETECTOR				
	FENCE				
	FENCE				
	FENCE				



NOTES:

1. AT ALL CROSS COUNTRY PORTIONS OF WATERMAIN (MCHALE'S TO BROWN AVENUE) PROVIDE 3/4" GALVANIZED STEEL ROD EMBEDDED IN THRUST BLOCK AND EXTENDING TO FINISH GRADE.

PIPE DETECTION DETAIL
NOT TO SCALE

REVISIONS		
NO.	ITEM	DATE

AMORY ENGINEERS, P.C.

DATE: _____

AMORY ENGINEERS, P.C.
DUXBURY, MASSACHUSETTS

DRAWN BY: JDF
DESIGNED BY: PGB
CHECKED BY: DAJ

DWSRF # 842
JOB NO. 2279
DATE: 10/11/01

SCALE: AS SHOWN
DWG. NO.: 1000
CONTRACT: 2002-W1

SEEKONK WATER DISTRICT
SEEKONK, MASSACHUSETTS

CONSTRUCTION OF WATER TRANSMISSION MAIN
AND APPURTENANT WORK

DETAILS AND LEGEND

CIVIL

SHEET

6 OF 6