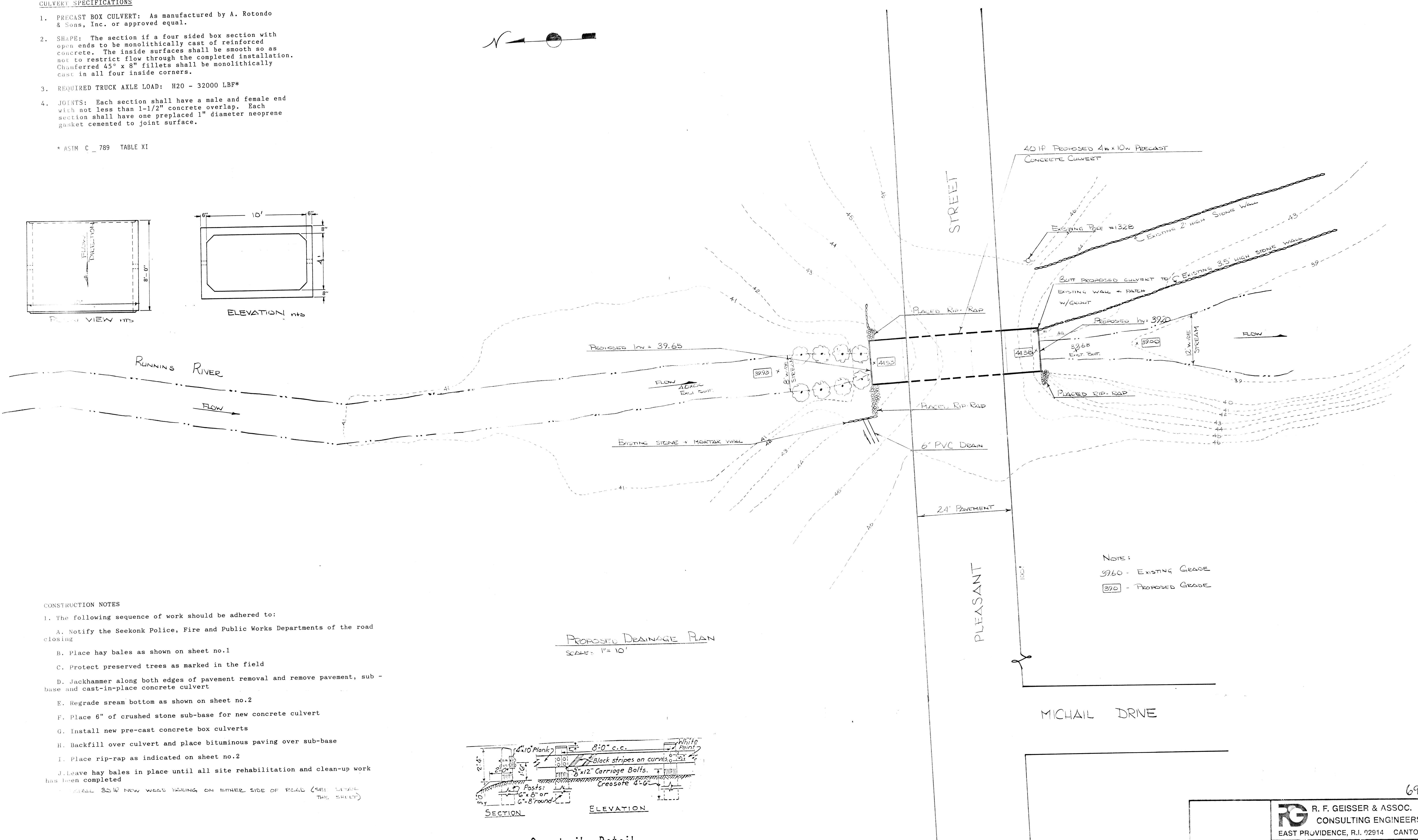
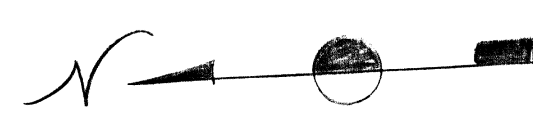
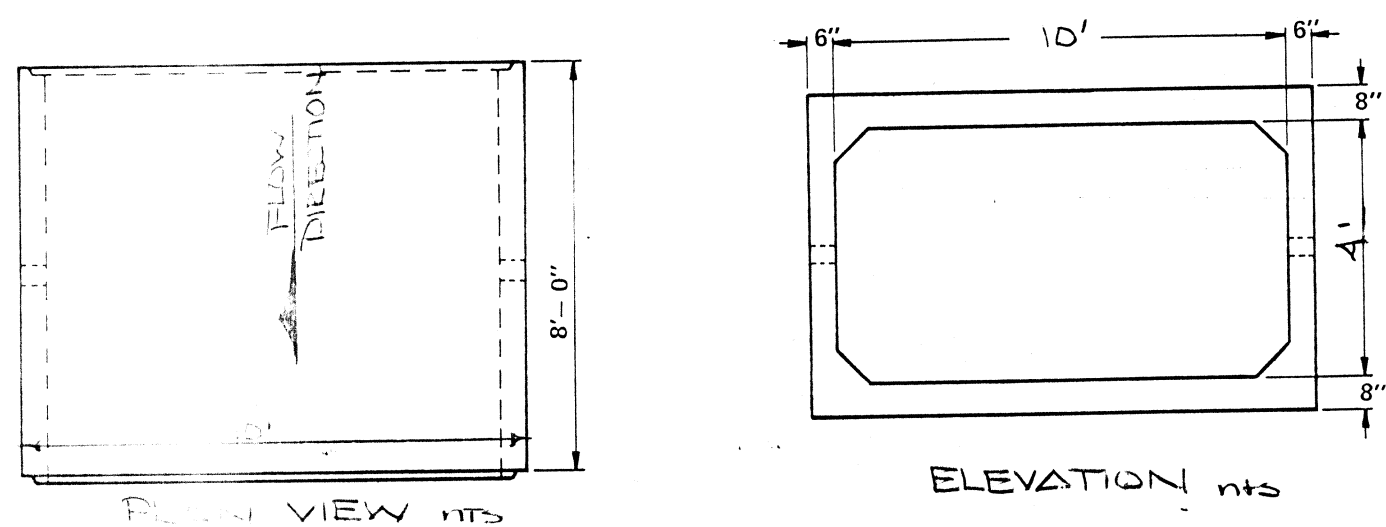


CULVERT SPECIFICATIONS

1. PRECAST BOX CULVERT: As manufactured by A. Rotondo & Sons, Inc. or approved equal.
2. SHAPE: The section is a four sided box section with open ends to be monolithically cast of reinforced concrete. The inside surfaces shall be smooth so as not to restrict flow through the completed installation. Chamfered 45° x 8" fillets shall be monolithically cast in all four inside corners.
3. REQUIRED TRUCK AXLE LOAD: H20 - 32000 LBF*
4. JOINTS: Each section shall have a male and female end with not less than 1-1/2" concrete overlap. Each section shall have one preplaced 1" diameter neoprene gasket cemented to joint surface.

* ASTM C 789 TABLE XI



CONSTRUCTION NOTES

1. The following sequence of work should be adhered to:
 - A. Notify the Seekonk Police, Fire and Public Works Departments of the road closing.
 - B. Place hay bales as shown on sheet no.1
 - C. Protect preserved trees as marked in the field
 - D. Jackhammer along both edges of pavement removal and remove pavement, sub-base and cast-in-place concrete culvert
 - E. Regrade stream bottom as shown on sheet no.2
 - F. Place 6" of crushed stone sub-base for new concrete culvert
 - G. Install new pre-cast concrete box culverts
 - H. Backfill over culvert and place bituminous paving over sub-base
 - I. Place rip-rap as indicated on sheet no.2
 - J. Leave hay bales in place until all site rehabilitation and clean-up work has been completed

