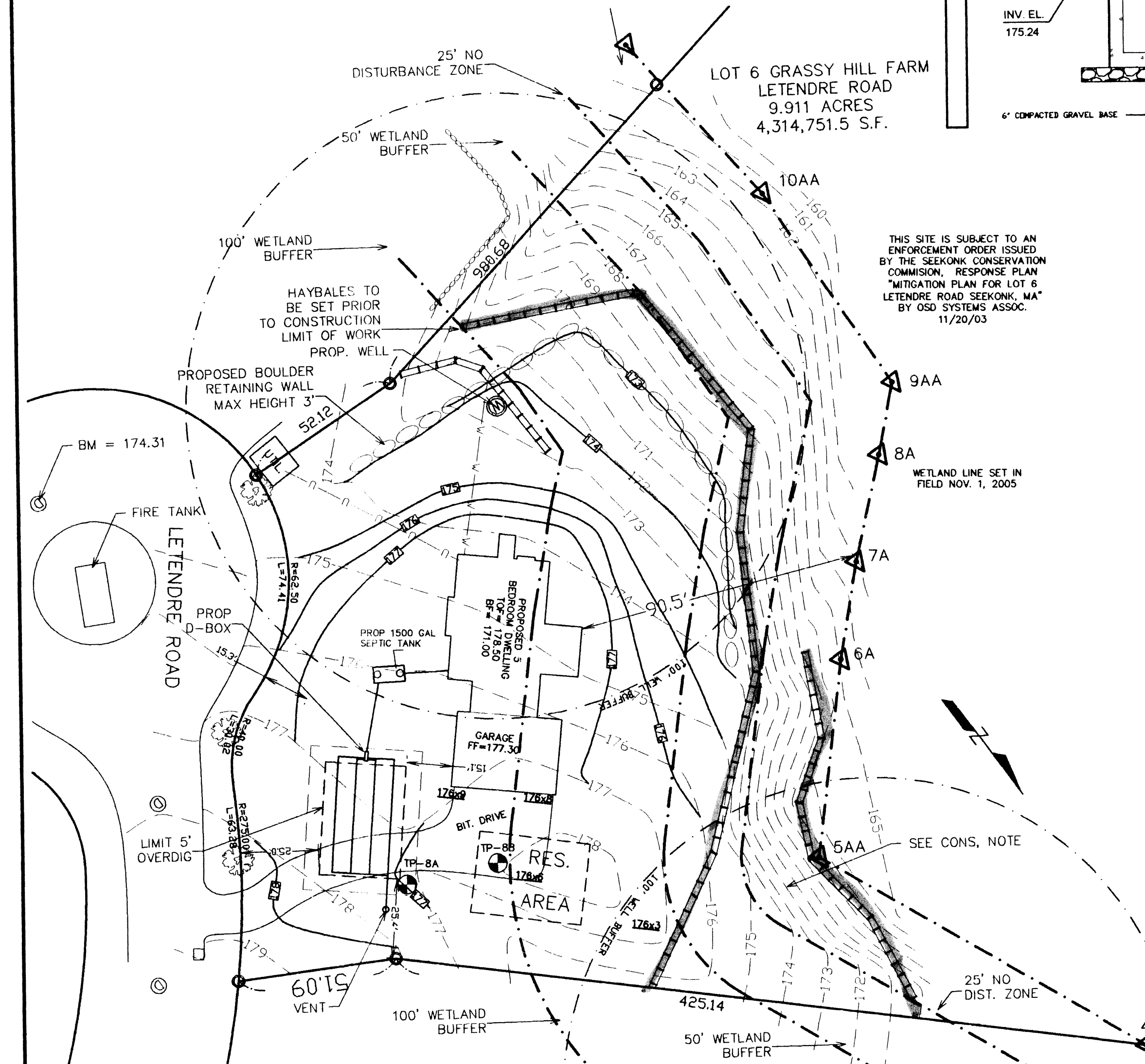
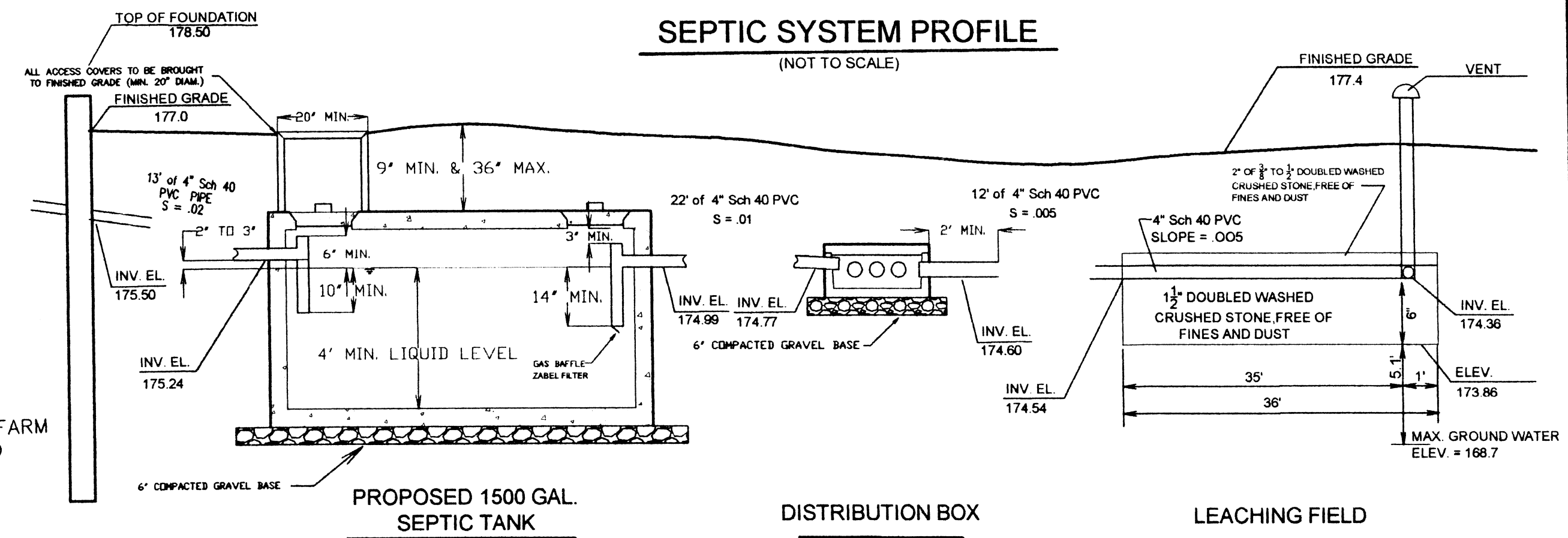
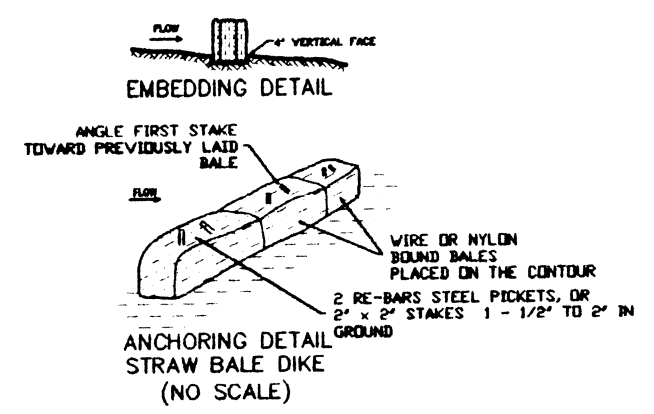


LOCUS MAP

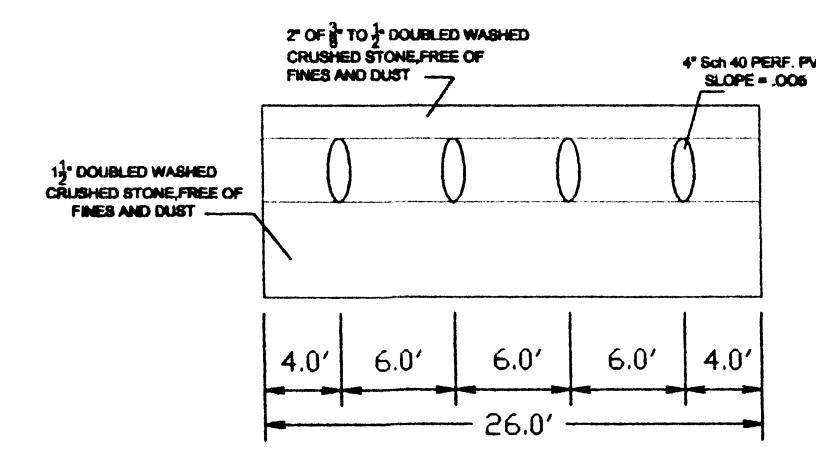
LEGEND

- FIRST CONTOUR
- - - PROPOSED CONTOUR
- ⊗ TEST PIT
- PROPOSED SPOT ELEVATION
- EXISTING SPOT ELEVATION
- ▭ BOULDER / LEASE
- ⊕ BENCHMARK



NOTES

1. ALL COMPONENTS WILL BE BY BENSON INDUSTRIES OR APPROVED EQUAL.
2. ALL PIPE WILL BE 4" SCH 40 PVC.
3. MATERIALS AND METHODS OF CONSTRUCTION SHALL CONFORM TO THE REQUIREMENTS OF TITLE 5, MASS. ENVIRONMENTAL CODE AND THE REQUIREMENTS OF THE LOCAL BOARD OF HEALTH.
4. ALL OF THE "A" AND "B" LAYERS SHALL BE REMOVED AS PER 310 CR 15.255 (5) FOR A DISTANCE OF 5' FROM ALL SIDES OF THE PROPOSED LEACHING SYSTEM AND FROM BENEATH THE LEACHING SYSTEM TO AN ELEVATION OF 167.9 OR UNTIL NATURALLY OCCURRING PERVIOUS MATERIAL IS REACHED AS PER 310 CMR 15.250 AND THE LOCAL B.O.H. OFFICER. AFTER THE EXCAVATION IS COMPLETE, THE AREA WILL BE BACKFILLED TO THE DESIGN ELEVATION AS PER 310 CMR 15.255 (3) AND THE LOCAL B.O.H. OFFICER.
5. ALL UTILITIES SHOWN ARE PLOTTED FROM THE BEST AVAILABLE INFORMATION AND SHOULD BE VERIFIED BY THE CONTRACTOR FOR THE EXACT ELEVATION AND LOCATION PRIOR TO CONSTRUCTION OF THE PROPOSED SEWAGE DISPOSAL SYSTEM.
6. THIS PLAN IS DESIGNED TO MAXIMUM FEASIBLE COMPLIANCE AS PER CMR 310 15.404 AND 15.405.
7. ANY CHANGES OR VARIATIONS FROM THIS PLAN MUST BE APPROVED, IN WRITING, PRIOR TO CONSTRUCTION BY BOTH MILLER ENGINEERING AND THE LOCAL B.O.H.
8. THIS SITE IS SUBJECT TO AN ENFORCEMENT ORDER ISSUED BY THE SEEKONK CONSERVATION COMMISSION.
9. A NOTICE OF INTENT FOR THIS PROJECT TO BE HEARD BEFORE THE CONSERVATION COMMISSION OF THE TOWN OF SEEKONK.
10. AREA WITHIN HAYBALE LINE TO BE LOAMED AND SEEDED.
11. PROPERTY LINE INFORMATION FROM SUBDIVISION PLAN.



FIELD CROSS - SECTION

DESIGN DATA

1. DESIGN FLOW: PROPOSED 5 BEDROOM HOUSE, NO GARBAGE GRINDER
DESIGN FLOW: 5 BEDROOMS x 110 GAL/DAY = 550 GAL/DAY
2. SOILS INFORMATION : PERCOLATION RATE = 5 MIN PER IN. SOIL CLASS I
DESIGN PERCOLATION RATE = 5 MIN PER IN
3. LEACHING AREA PROVIDED: BOTTOM: 36' LONG x 26' WIDE = 936 SQUARE FEET
4. CAPACITY: 936 SQUARE FEET x 60 GAL. PER. SQUARE FOOT = 561 GAL. PER. DAY

SOIL DATA

TEST PIT 8A		TEST PIT 8B	
172.0 - 3"	ORGANIC 10YR 2Z	170.2 - 3"	ORGANIC 10YR 2Z
171.7 - 0"		169.9 - 0"	
B SANDY LOAM 10YR 5B		B SANDY LOAM 10YR 5B	
169.1 - 31"		167.9 - 24"	
C SANDY LOAM 2.5Y 6A		C SANDY LOAM 2.5Y 6A	
161.9 - 118"		161.9 - 96"	
PERC. RATE = 5 MPH PERC. DEPTH = 167.5 (30") GW DEPTH = 168.7 (36")		PERC. RATE = 7 MPH PERC. DEPTH = 166.2 (45") GW DEPTH = 167.4 (30")	

SCALE
1" = 30'

BENCHMARK
CENTER OF MANHOLE COVER
END OF CUL DE SAC
EL=174.31

- CONSERVATION NOTE**
1. SECOND HAYBALE LINE TO BE TIED INTO EXISTING LINE AT BASE OF SLOPE.
 2. HAYBALES TO BE SET PRIOR TO CONSTRUCTION.
 3. AREA WITHIN UPPER AND LOWER HAYBALE LINE TO LOAMED AND SEEDED.
 4. AREA TO BE SEEDED WITH "NEW ENGLAND CONSERVATION/WILDLIFE MIX" AVAILABLE FROM NEW ENGLAND WETLAND PLANTS.
 5. SLOPE STABILIZED BY GEOTEXTILE STABILIZATION GRID, INSTALLED AS PER MANUFACTURERS SPECIFICATIONS.

69-530

PROPOSED SEWAGE DISPOSAL SYSTEM AND NOTICE OF INTENT PLAN

LOCATION: LOT 6 LETENDRE ROAD SEEKONK, MA

APPLICANT: BAASCH CONSTRUCTION 62 BLANDING ROAD REHOBOTH, MA 02769

PREPARED BY: MILLER ENGINEERING
21 BROOK STREET SEEKONK, MA (508) 761-7790
10/10/05

REV: 10/27/05 MOVE BED AND VENT
11/10/05 REVISE WETLAND LINE
11/22/05 REV. PER CONNS COMM

CHECKED: _____