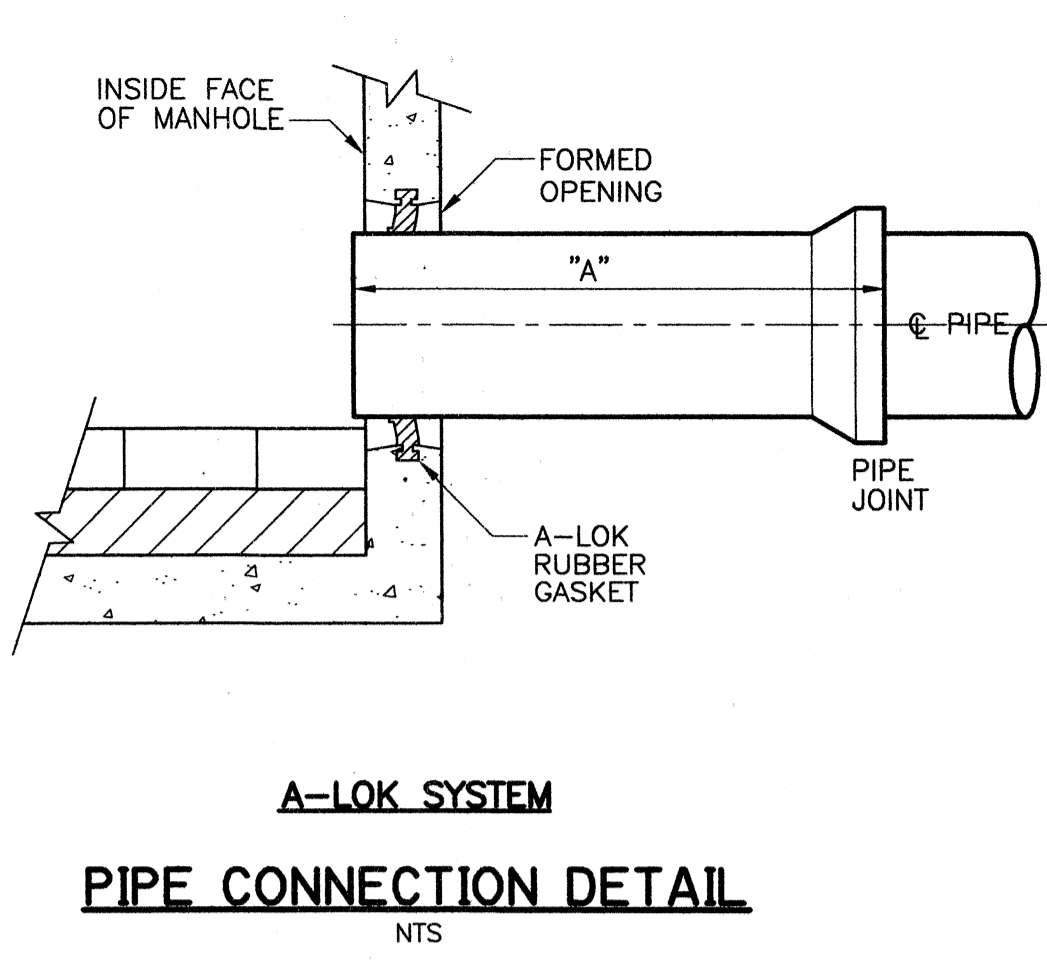
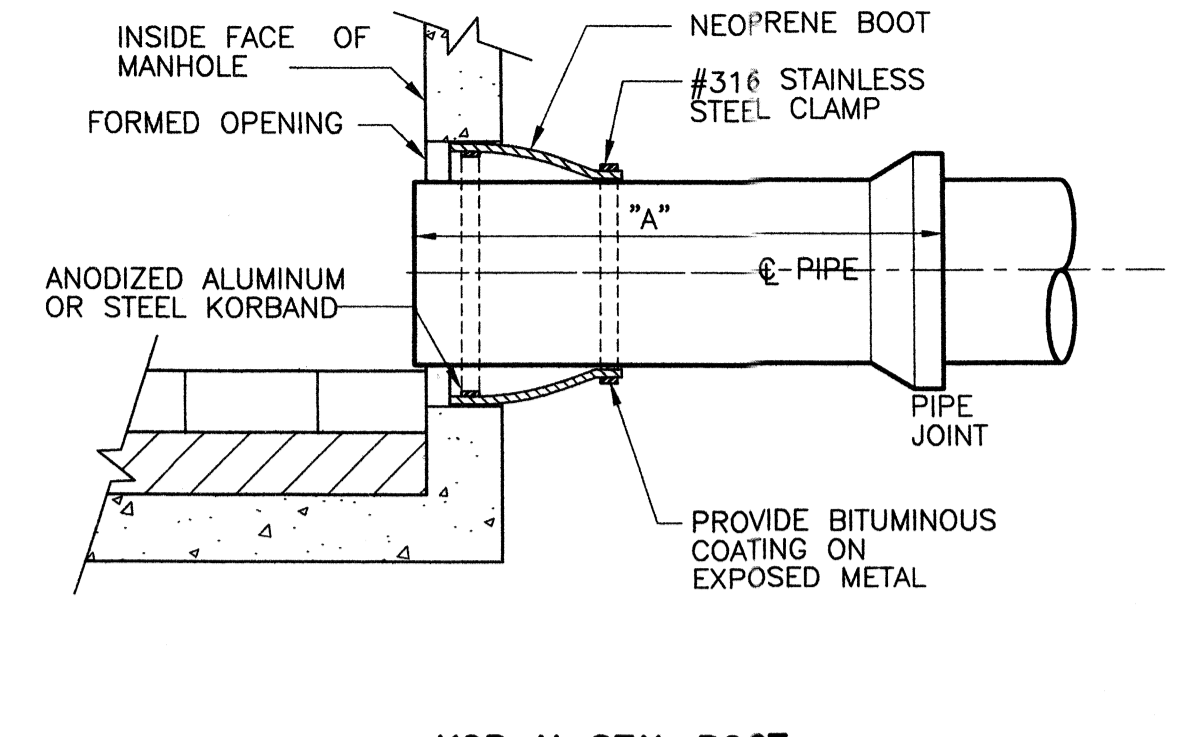


YARD HYDRANT REPLACEMENT DETAIL
N.T.S.

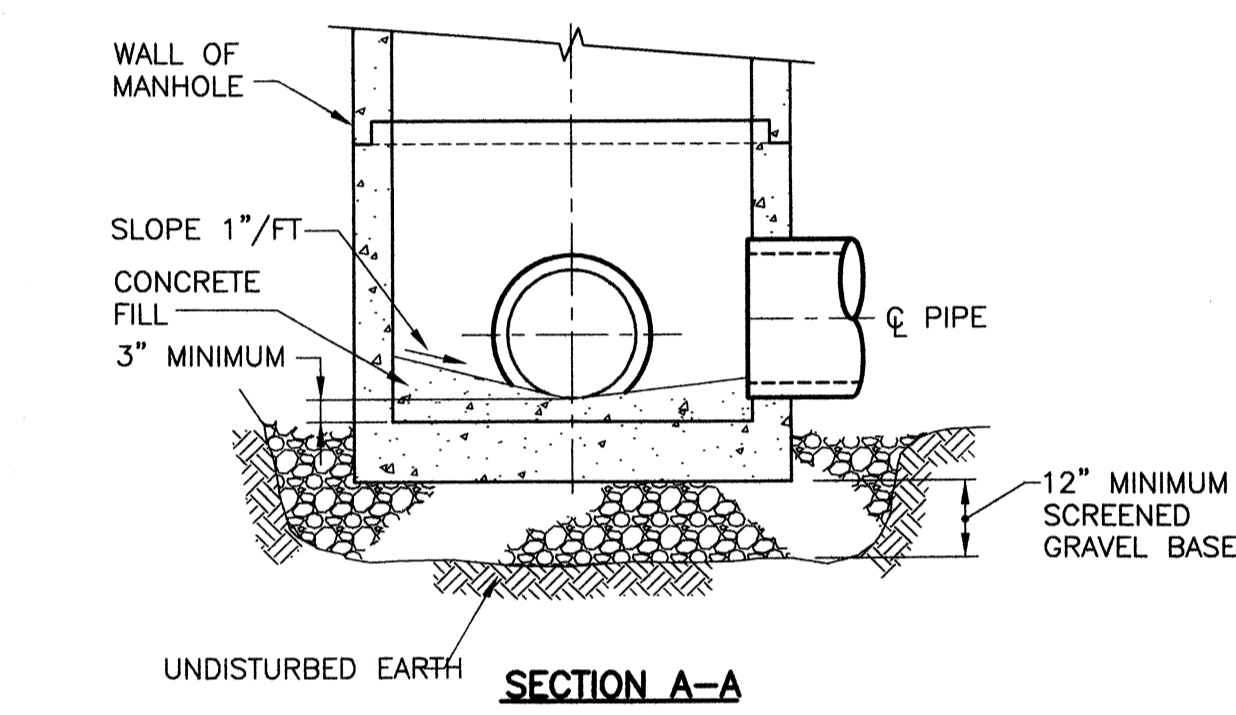


A-LOK SYSTEM
PIPE CONNECTION DETAIL
N.T.S.

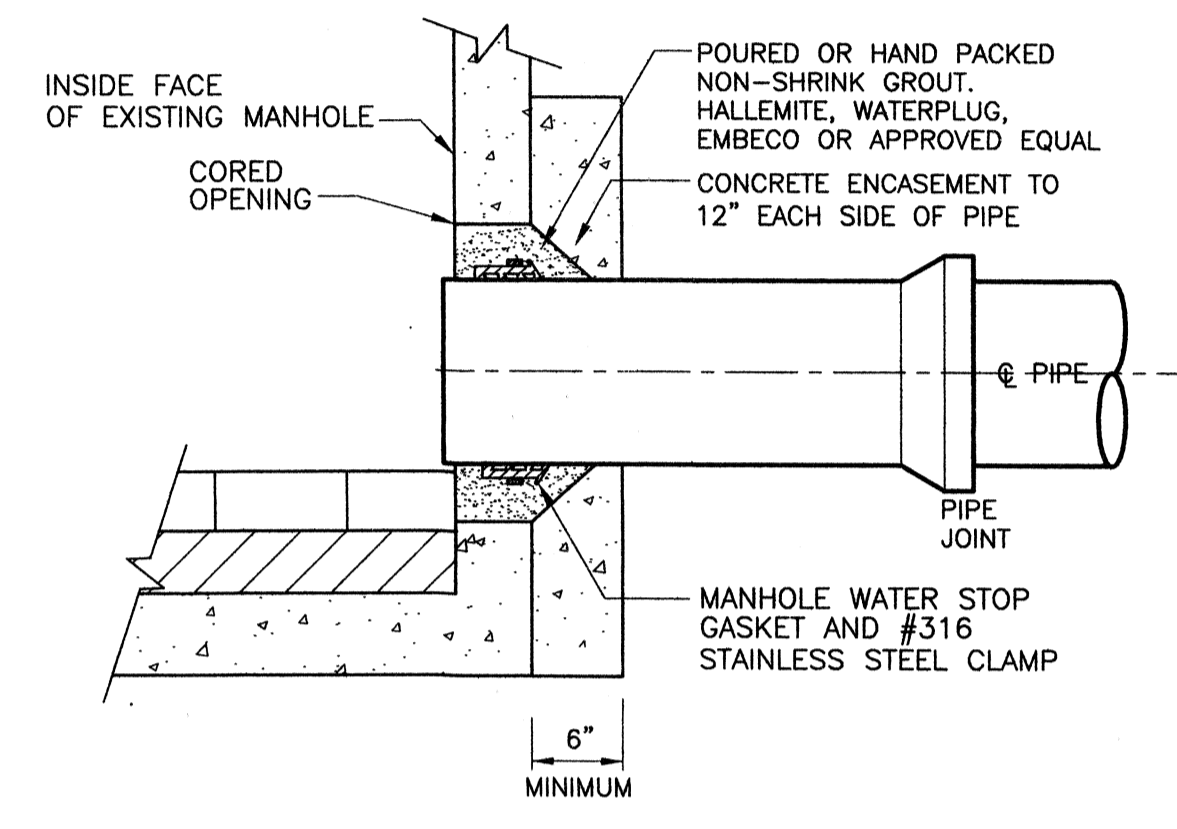


KOR-N-SEAL BOOT
PIPE CONNECTION DETAIL
N.T.S.

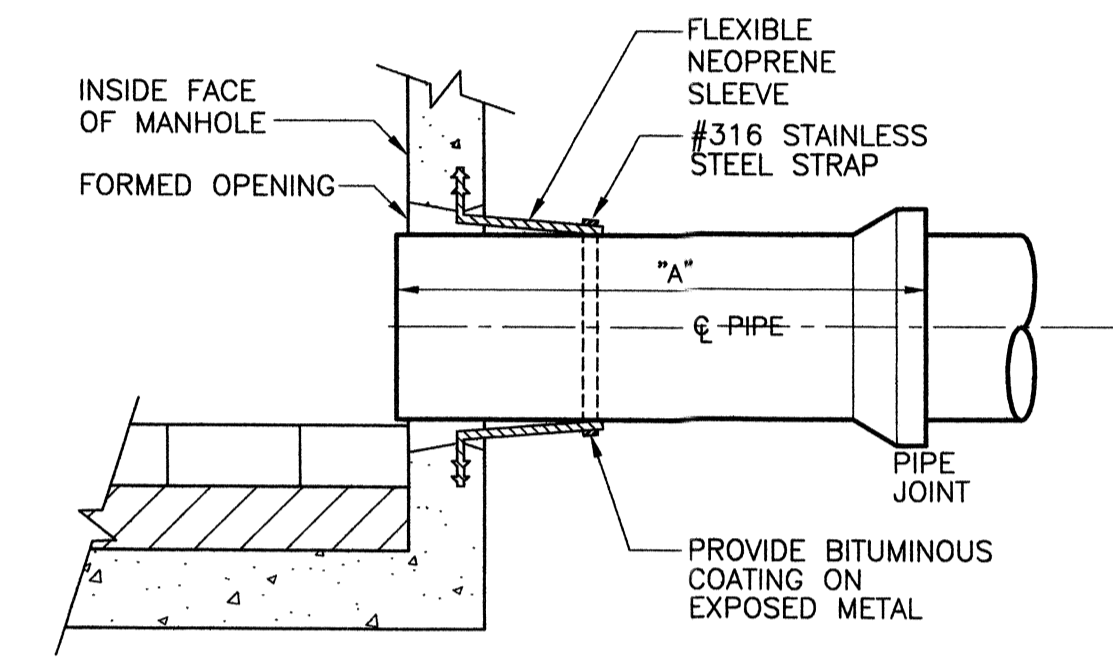
PIPE MATERIAL	"A" (MAX.)
RC	4'-0"
PVC	3'-3"
DI	4'-6"



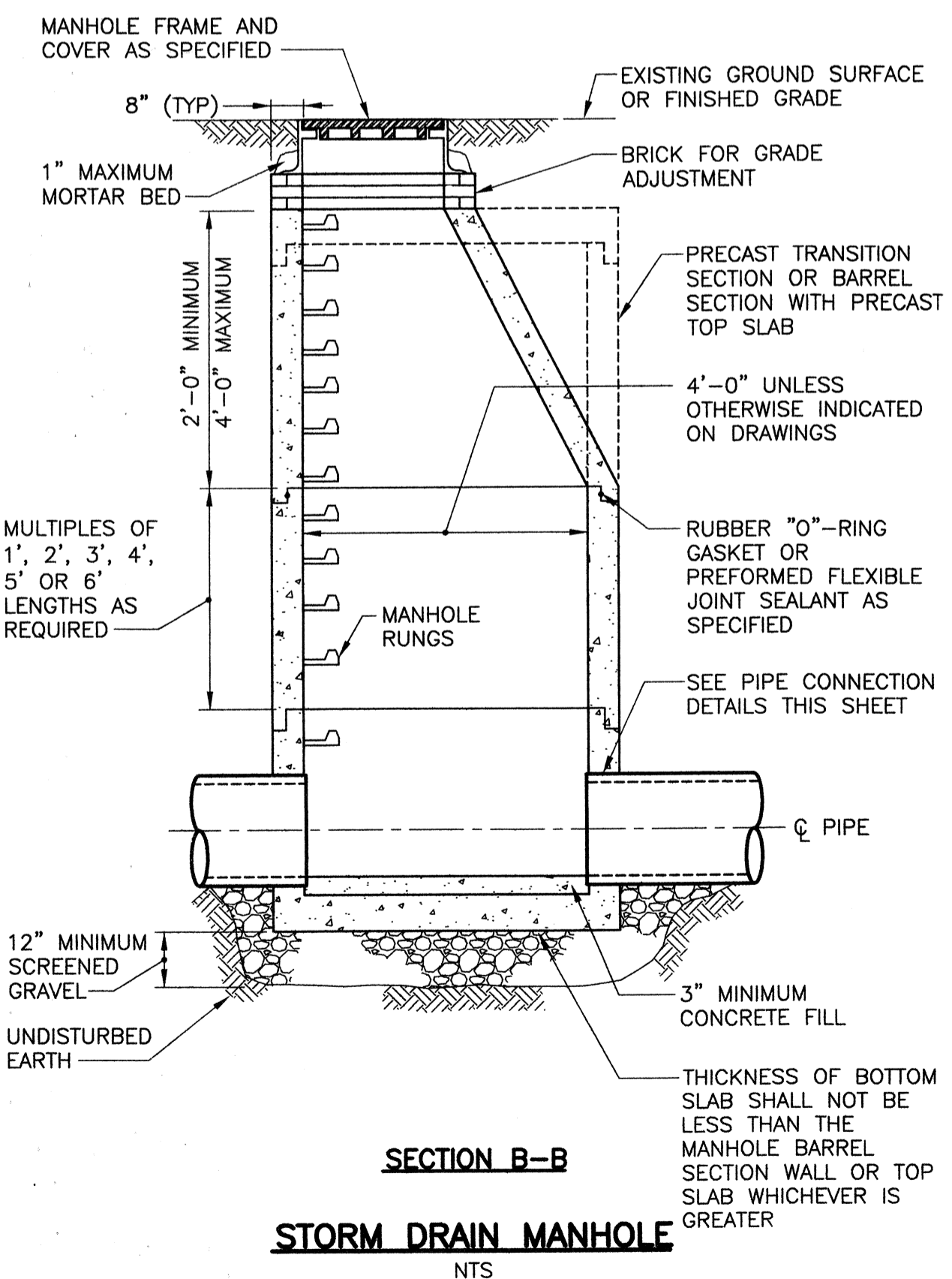
SECTION A-A



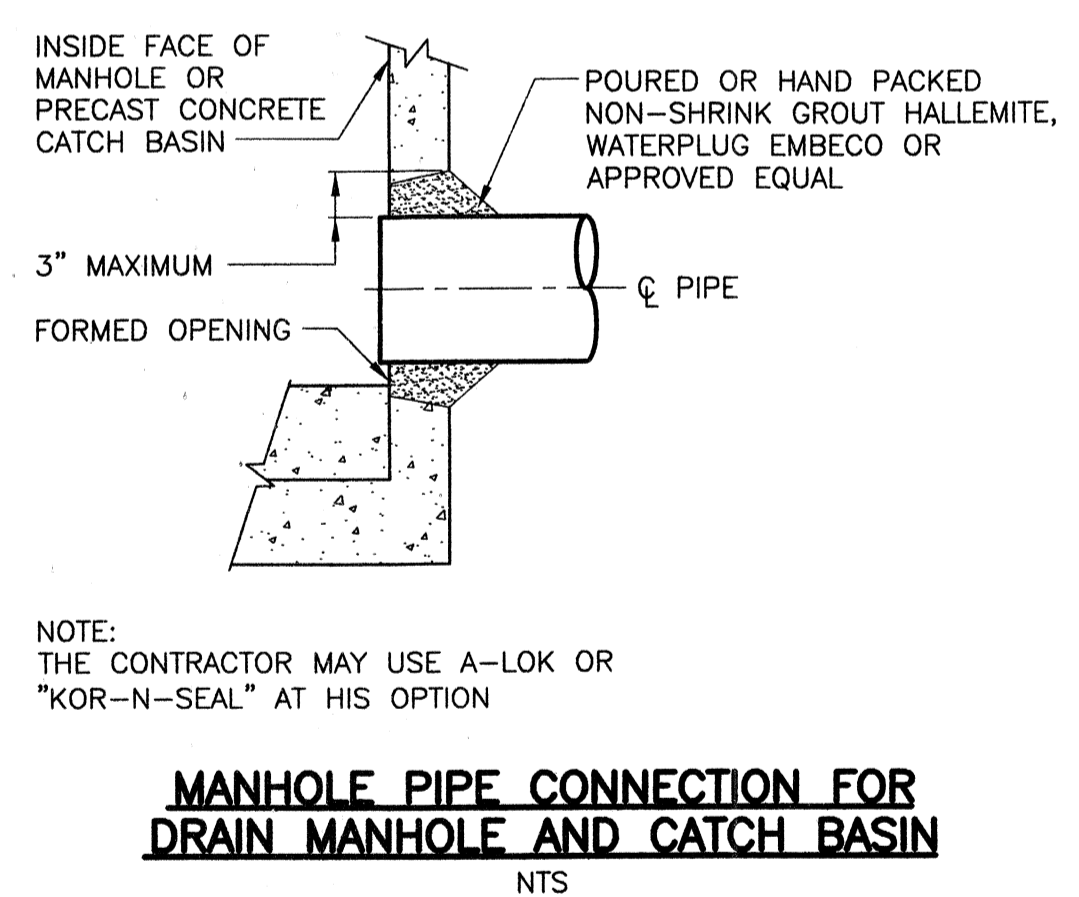
PIPE CONNECTION TO EXISTING MANHOLE DETAIL
N.T.S.



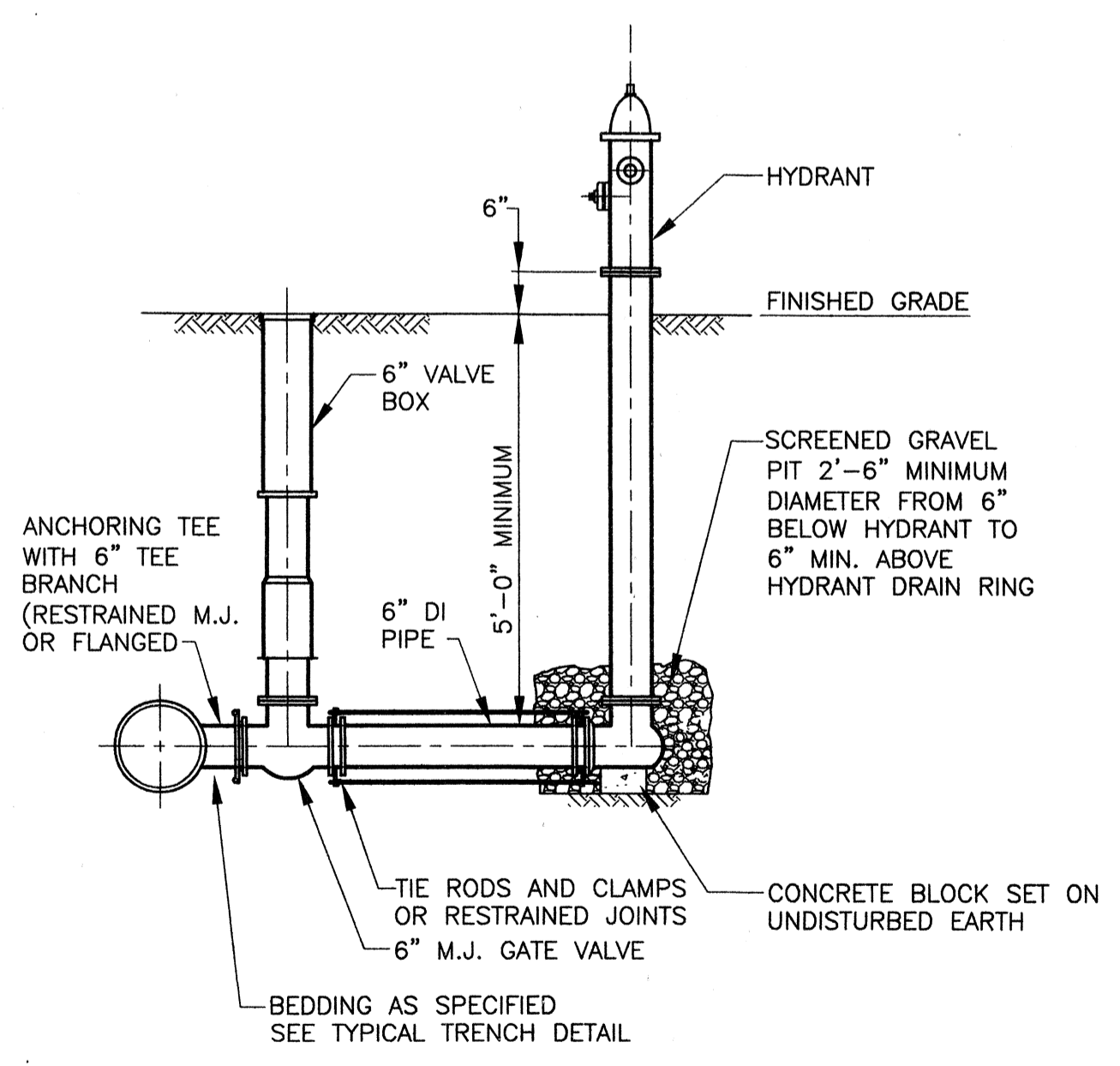
FLEXIBLE SLEEVE
PIPE CONNECTION DETAIL
N.T.S.



SECTION B-B
STORM DRAIN MANHOLE
N.T.S.

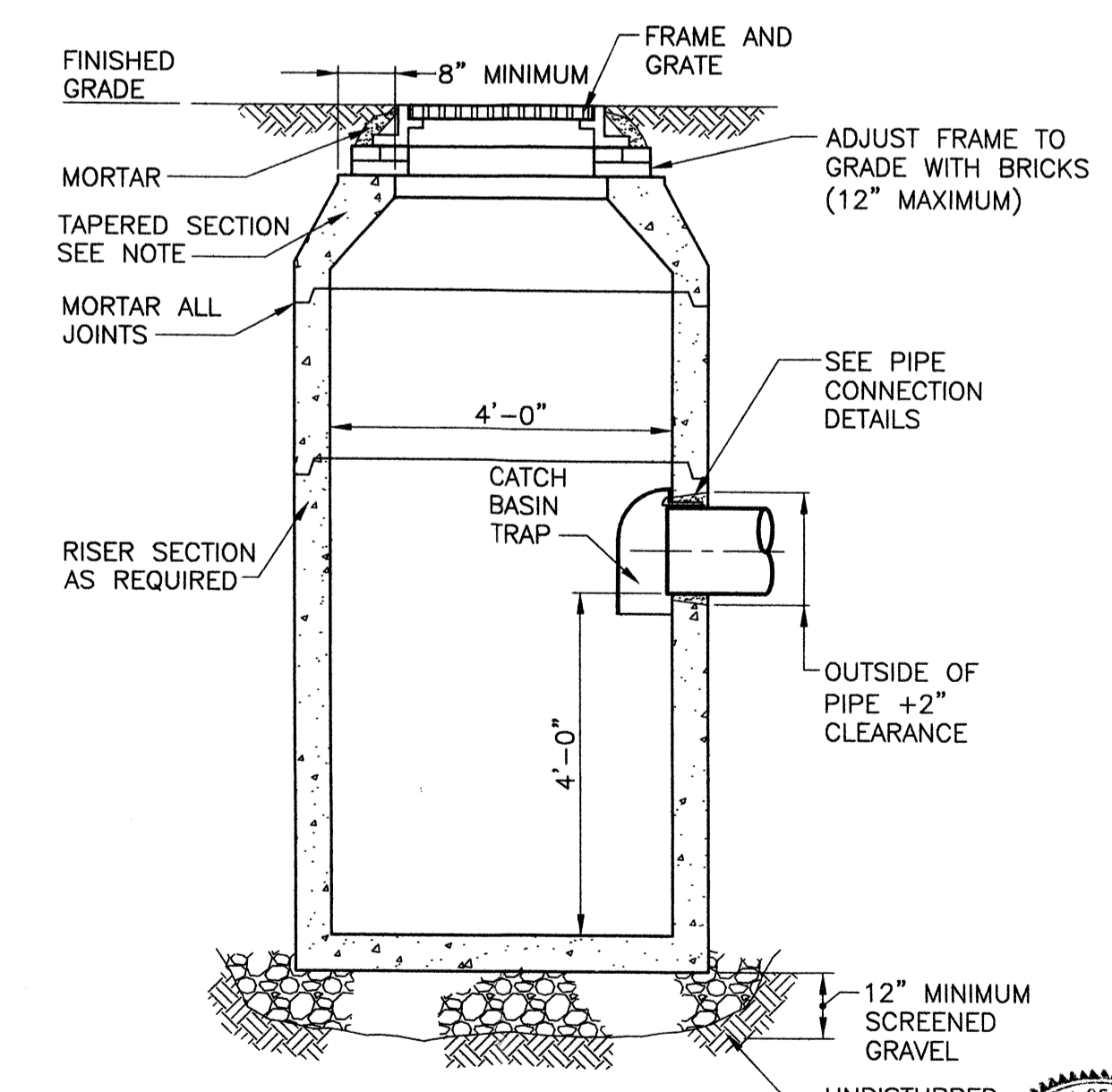


MANHOLE PIPE CONNECTION FOR DRAIN MANHOLE AND CATCH BASIN
N.T.S.



SECTION
STANDARD HYDRANT CONNECTION
N.T.S.

PIPE CONNECTIONS
NOT TO SCALE



PRECAST CATCH BASIN
NOT TO SCALE

100% SUBMITTAL
Sheet 5 of 5

REV. NO.	DATE	DRWN	CHKD	REMARKS

DESIGNED BY: T. DESMARAIS
DRAWN BY: B. GUILFORD
SHEET CHK'D BY: T. DESMARAIS
CROSS CHK'D BY: W. HOTZ
APPROVED BY: J. SMALL
DATE: SEPTEMBER 2003

CDM Camp Dresser & McKee Inc.
CONSULTING ENGINEERING ARCHITECTURE OPERATIONS

CITY OF ATTLEBORO, MASSACHUSETTS
SEWERAGE WORKS IMPROVEMENTS
WASTEWATER TREATMENT FACILITY MODIFICATIONS
CONTRACT No. 27

MISCELLANEOUS DETAILS III

PROJECT NO. 0725-37055
FILE NAME: CSTDT004
SHEET NO. **SD-C-3**
ACCESSION