

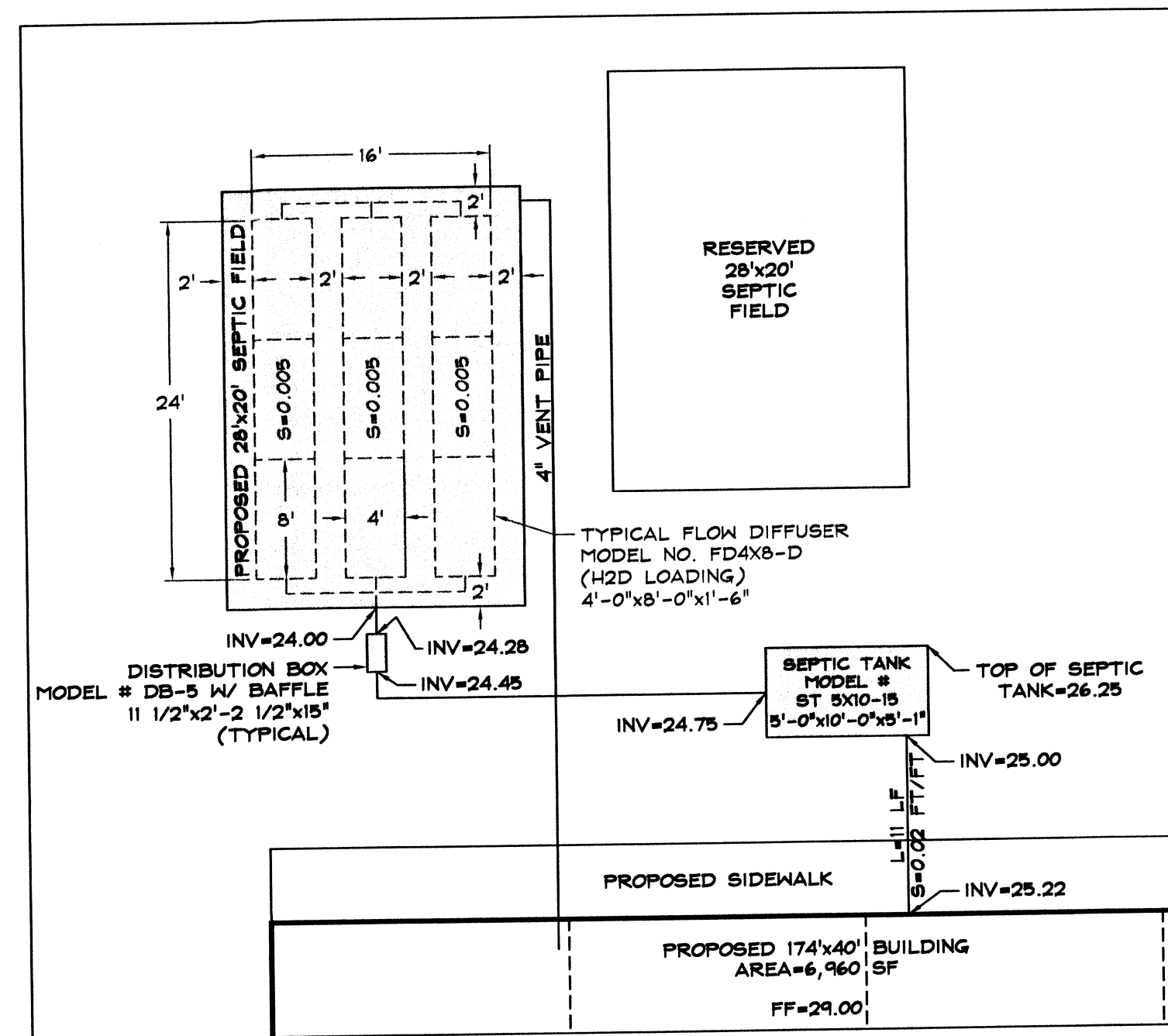
TEST PITS AND PERCOLATION TESTS WITNESSED BY J.R. CHENEVERT NOVEMBER 13, 2003. TEST PITS EXCAVATED BY CASSISI BROTHERS, WITNESSED BY A.P. FERRARI (SOILS EVALUATOR).

TP-1 (EL=31.80)
 0'-16" TOP SOIL/ROOTS "A"
 16'-30" MEDIUM LOAMY SAND "B"
 30'-114" MEDIUM LOAMY SAND "C" (CLASS 1)
 NO MOTTLING & DRY @ 114" (EL=22.90)
 PERCOLATION @ 53' 5 MIN./IN.

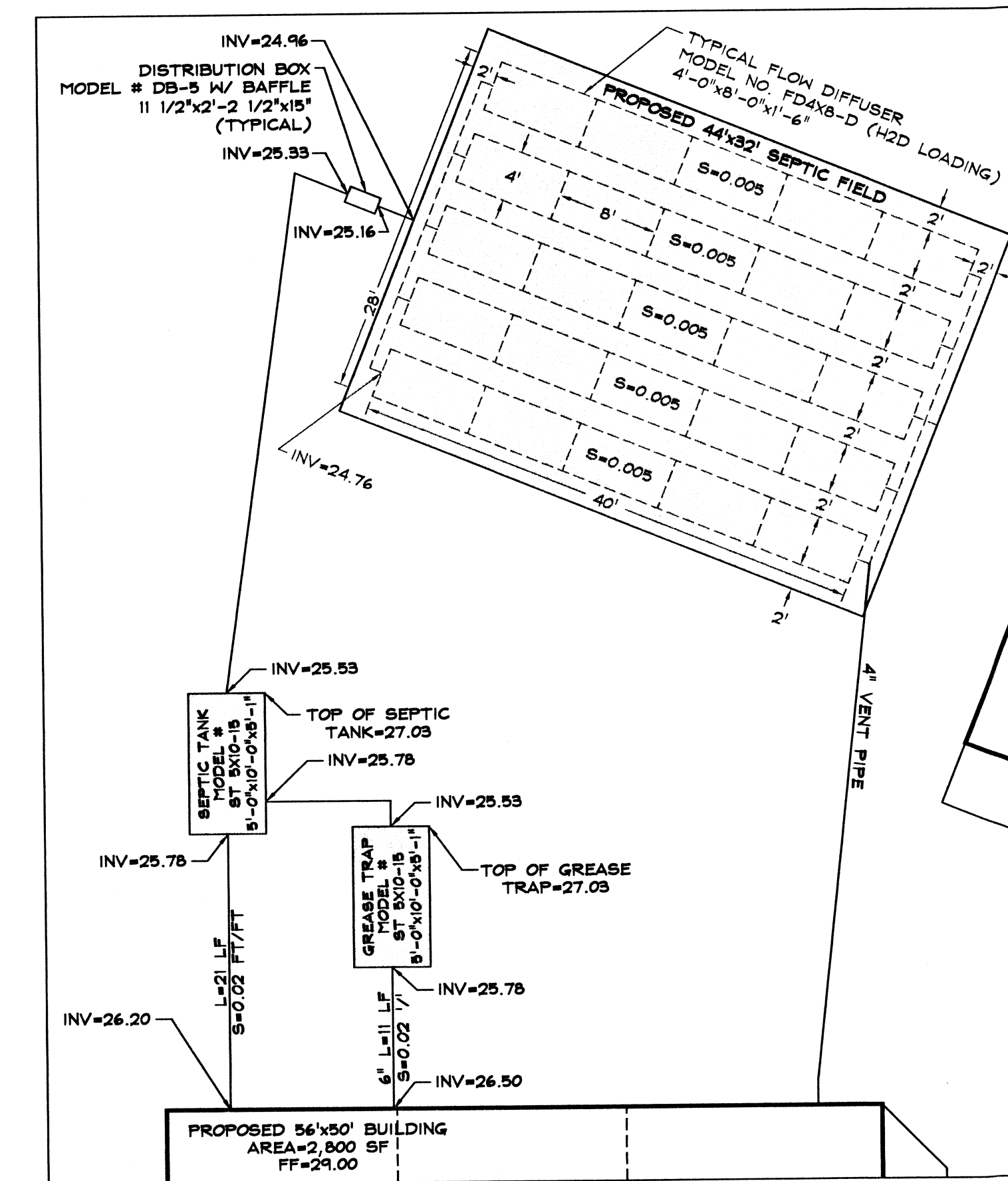
TP-2 (EL=31.80)
 0'-8" TOP SOIL/ROOTS "A" (10 YR 3/3)
 8'-27" MEDIUM SAND "B" (10 YR 4/6)
 27'-110" COURSE SAND WITH TRACE FINE GRAVEL "C" (CLASS 1) (10 YR 6/4)
 NO MOTTLING AND DRY @ 110" (EL=22.60)

TP-3 (EL=31.00)
 0'-12" TOP SOIL/ROOTS "A" (10 YR 4/2)
 12'-24" LOAMY COURSE SAND WITH TRACE FINE GRAVEL "B" (10 YR 4/6)
 24'-125" LOAMY COURSE SAND "C" (CLASS 1) (10 YR 5/4)
 NO MOTTLING & DRY @ 125" (EL=20.60)
 PERCOLATION @ 45' 5 MIN./IN.

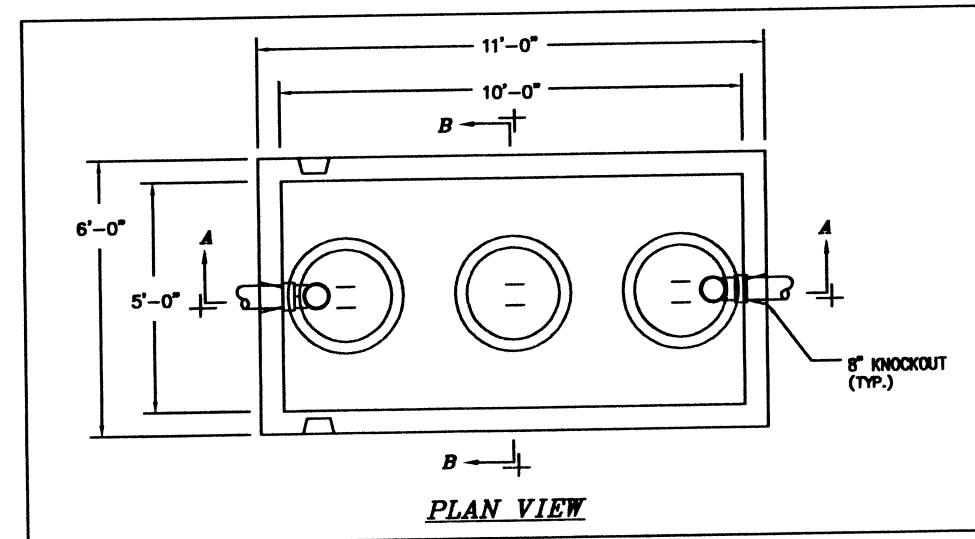
TP-4 (EL=28.30)
 0'-10" TOP SOIL & ROOTS "A"
 10'-35" COURSE LOAMY SAND WITH TRACE COURSE GRAVEL "B"
 35'-112" COURSE LOAMY SAND WITH TRACE FINE GRAVEL "C" (CLASS 1)
 NO MOTTLING & DRY @ 112" (EL=19.00)



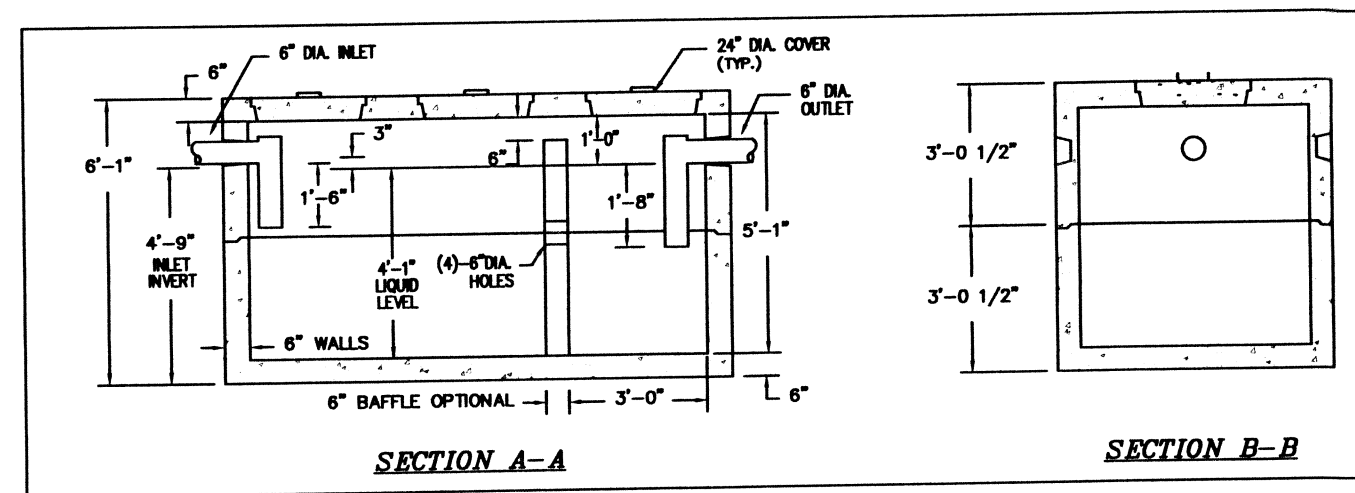
RETAIL SEPTIC SYSTEM SITE PLAN DETAIL
 SCALE: 1"=10'



RESTAURANT SEPTIC SYSTEM SITE PLAN DETAIL
 SCALE: 1"=10'



PLAN VIEW



SECTION A-A

SECTION B-B

RETAIL (7,960 sq. ft.)

DAILY FLOW = 50 gal. / 1,000 sq. ft.

7,960 sq. ft. / 1,000 x 50 = 398 gpd

PERCOLATION RATE = 5 min./in.

LOADING RATE = 0.74 gpd/sq. ft.

REQUIRED SQUARE FEET = 398 / 0.74 = 536 sq. ft. (provide 560 sq. ft.)

SANITARY SEPTIC TANK SIZE: use 1,500 gal.

RESTAURANT (26 SEATS)

DAILY FLOW = 26 seats x 35 gpd = 910 gal. (1,000 min.)

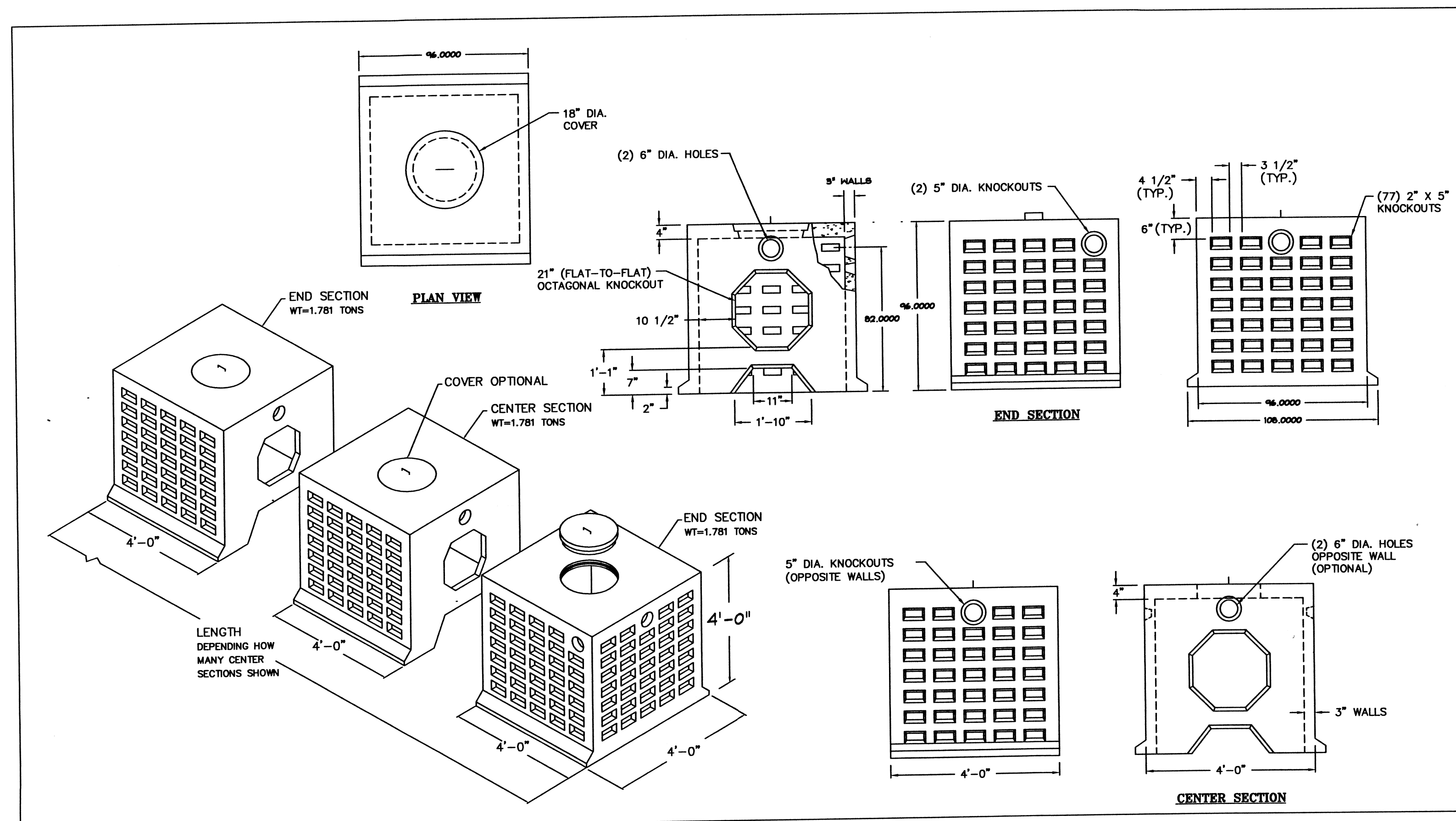
PERCOLATION RATE = 5 min./in.

LOADING RATE = 0.60 gpd/sq. ft.

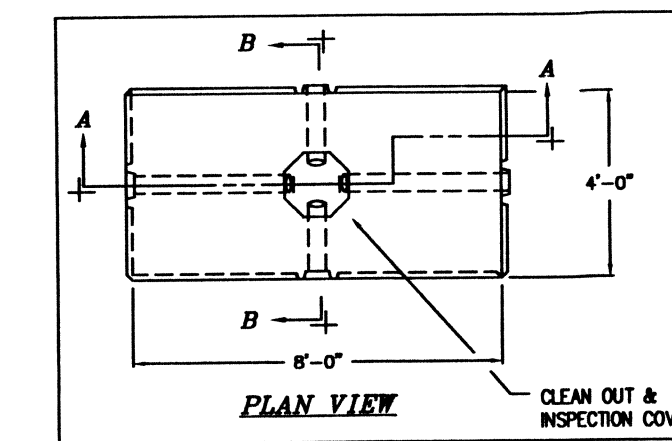
REQUIRED SQUARE FEET = 1,000 / 0.74 = 1,351 sq. ft. (provide 1,408 sq. ft.)

GREASE TRAP SIZE: 15 x 26 = 390 gal. (use 1,500 gal.)

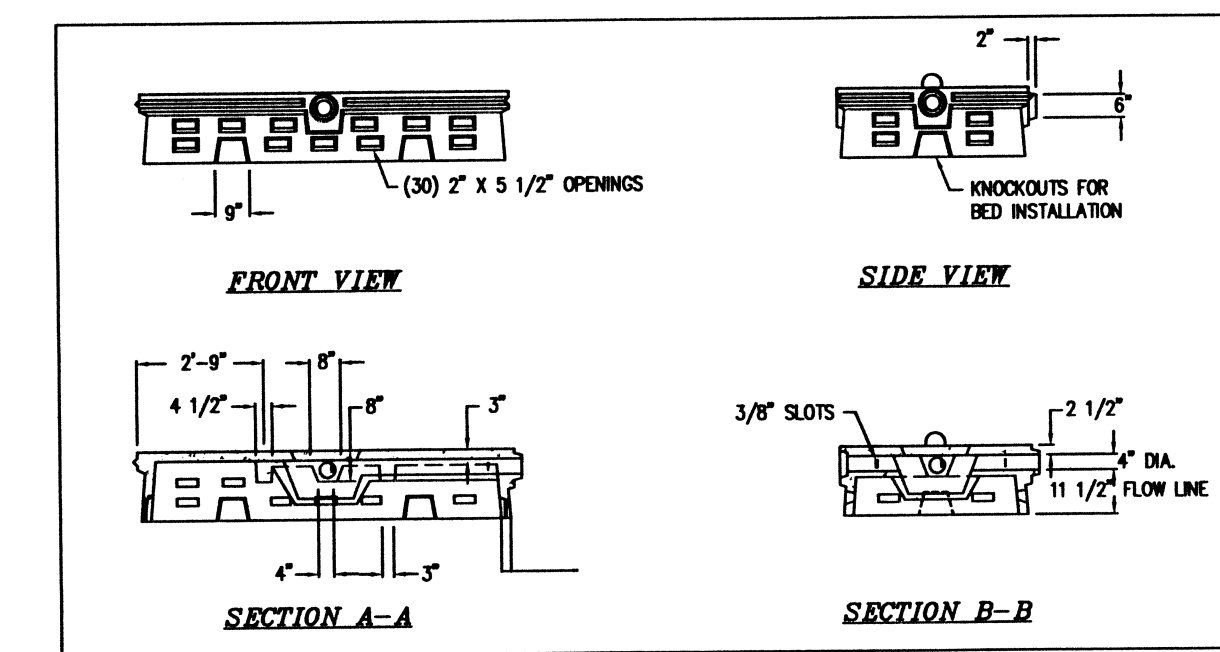
SANITARY SEPTIC TANK SIZE: 910 gpd x 1.5 = 1365 gal. (use 1,500 gal.)



STORMWATER LEACHING GALLEY
 NOT TO SCALE



PLAN VIEW

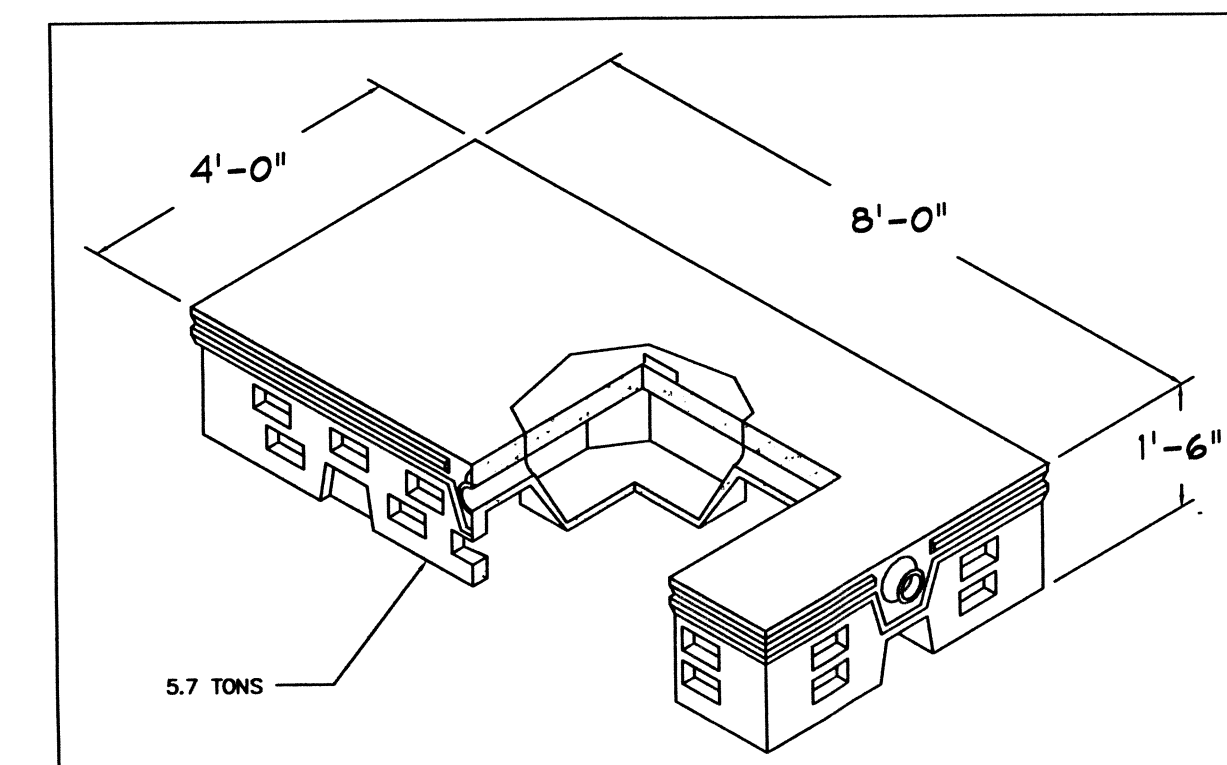


FRONT VIEW

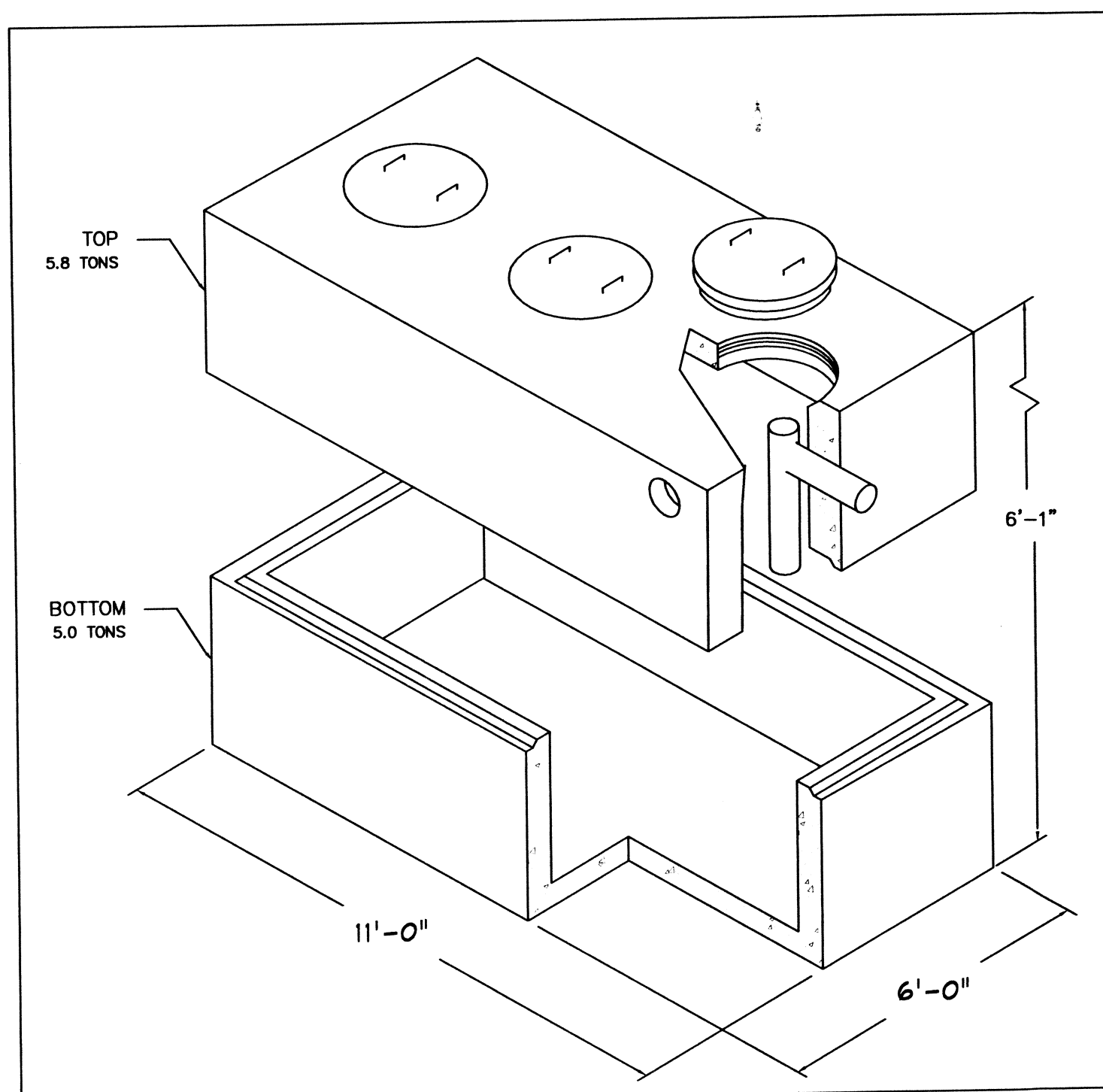
SIDE VIEW

SECTION A-A

SECTION B-B

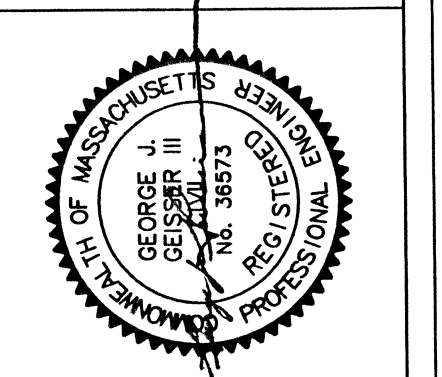


FLOW DIFFUSER DETAIL
 NOT TO SCALE



SEPTIC TANK DETAIL
 NOT TO SCALE

GEISSER ENGINEERING CORP.
 CONSULTING ENGINEERS
 227 WAMPANOAG TRAIL
 RIVERSIDE, RHODE ISLAND 02915
 PHONE # 401-438-7711
 FAX # 401-438-0281
 EMAIL: gec@geisserengineering.com



NO.	DATE	COMMENTS
1	8/6/03	BUILDING & PARKING LOCATION
2	2/9/04	SEEKONK CON. COM. COMMENTS
3	2/23/04	SEEKONK CON. COM. COMMENTS
4	3/15/04	MOVED BUILDING

PROPOSED RETAIL PLAZA SITE PLAN
 DOMENICO CASSISI
 68-72 MINK STREET
 SEEKONK, MASSACHUSETTS
 ASSESSOR'S PLAT 7, LOTS 44 & 79
 PROPOSED SEPTIC SYSTEM DETAILS

DATE: 4/13/02
 SCALE: AS NOTED
 DESIGNED BY: JLAJAPF
 DRAWN BY: JLA
 CHECKED BY: GJGIII
 JOB NUMBER: R-710

FIELD BOOK #:
 SHEET NO. 2 OF 3
 DRAWING NO. C-2