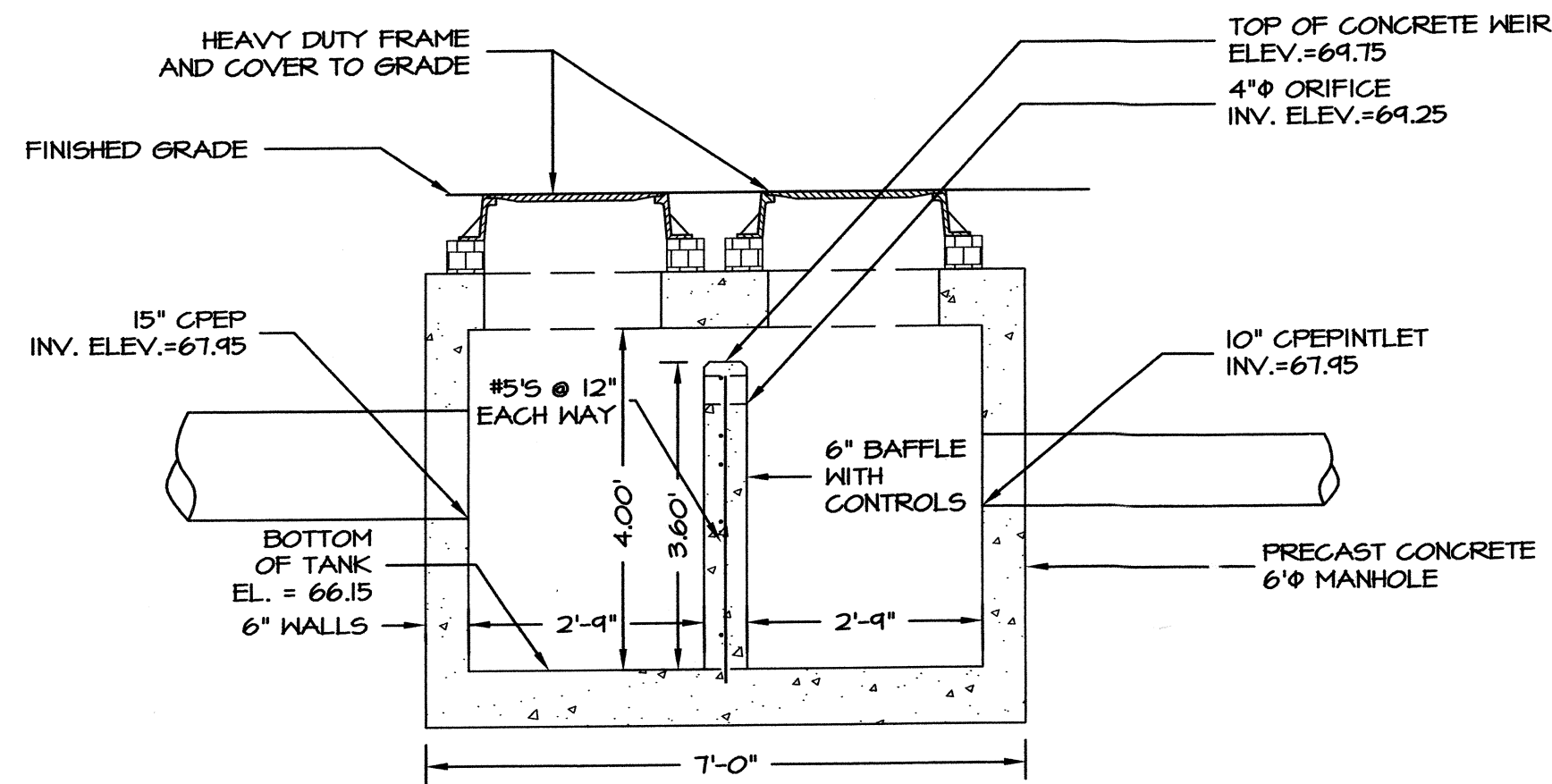
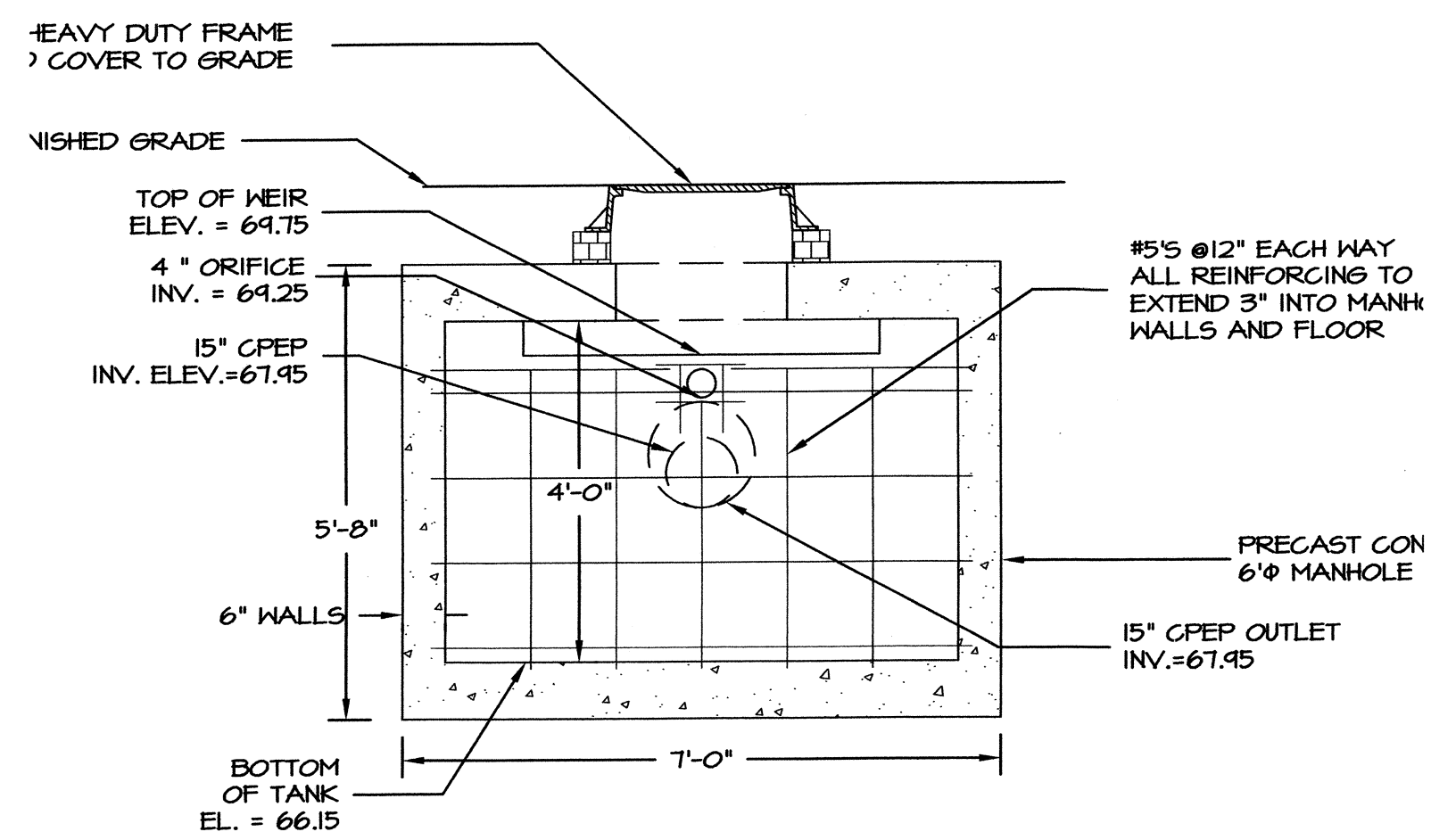


**STORMWATER RECHARGE CONTROL STRUCTURE - PLAN**  
SCALE 1" = 2'

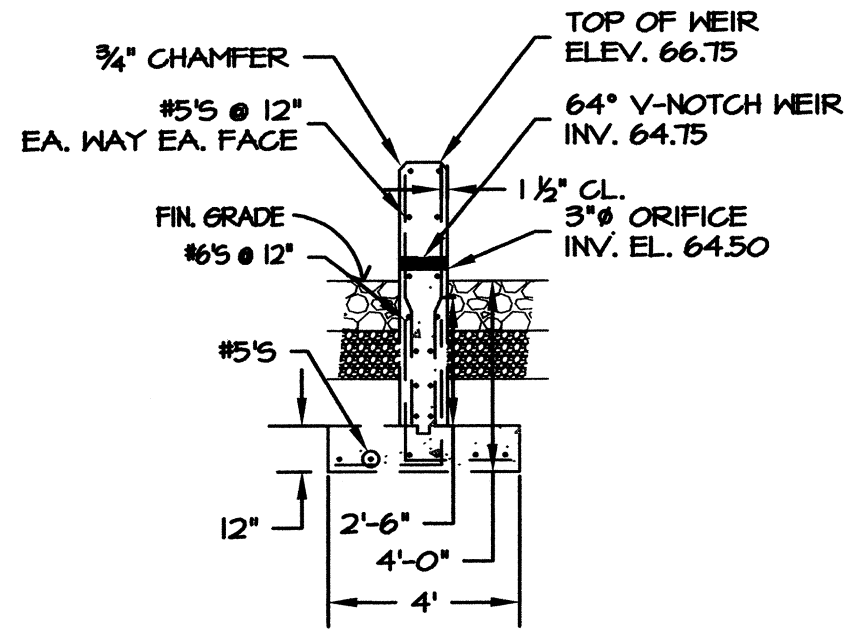


**STORMWATER RECHARGE CONTROL STRUCTURE - PROFILE**  
SCALE 1" = 2'

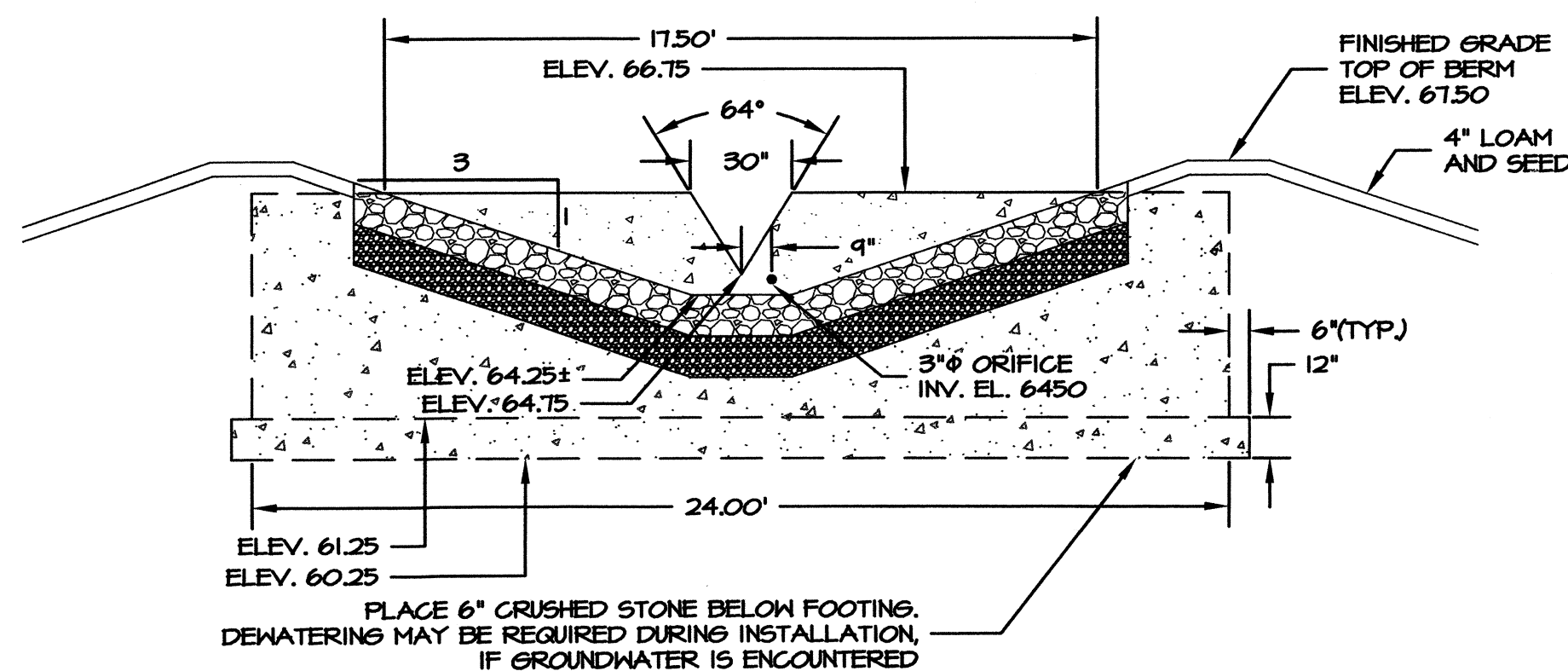


**STORMWATER RECHARGE CONTROL STRUCTURE - SECTION**  
SCALE 1" = 2'

NOTE: CONCRETE TO BE 4000 PSI @ 28 DAYS

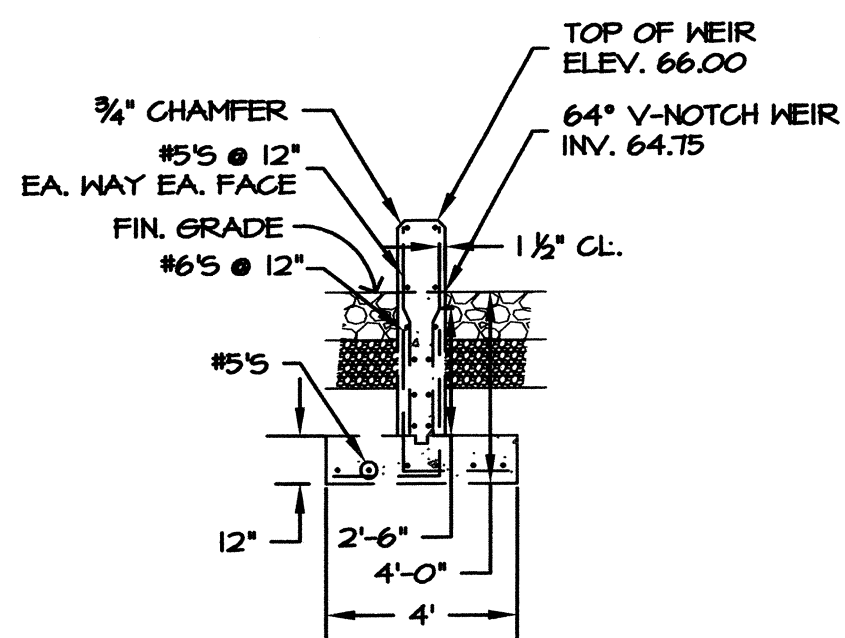


**WEIR "A" - SECTION**  
SCALE 1" = 4'-0"

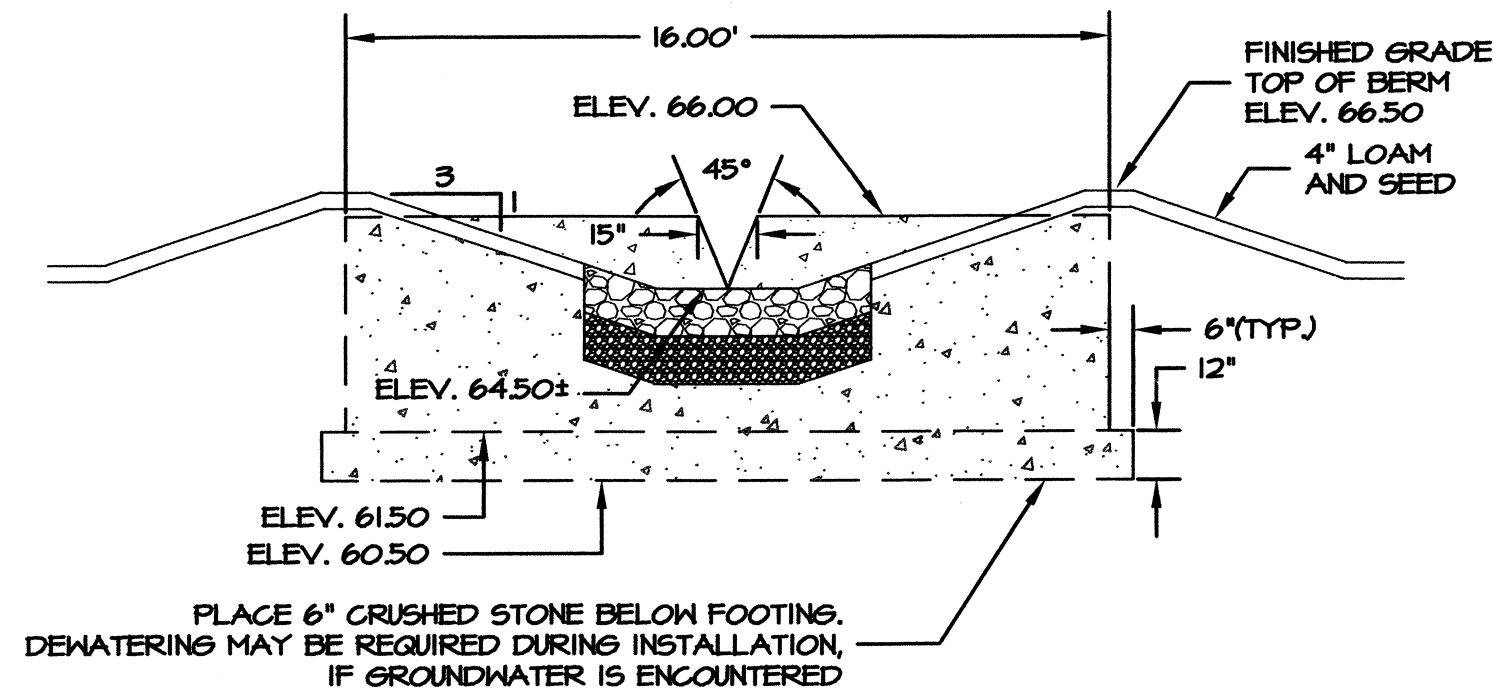


**WEIR "A" - FRONT VIEW**  
SCALE 1" = 4'-0"

NOTE: CONCRETE TO BE 4000 PSI @ 28 DAYS

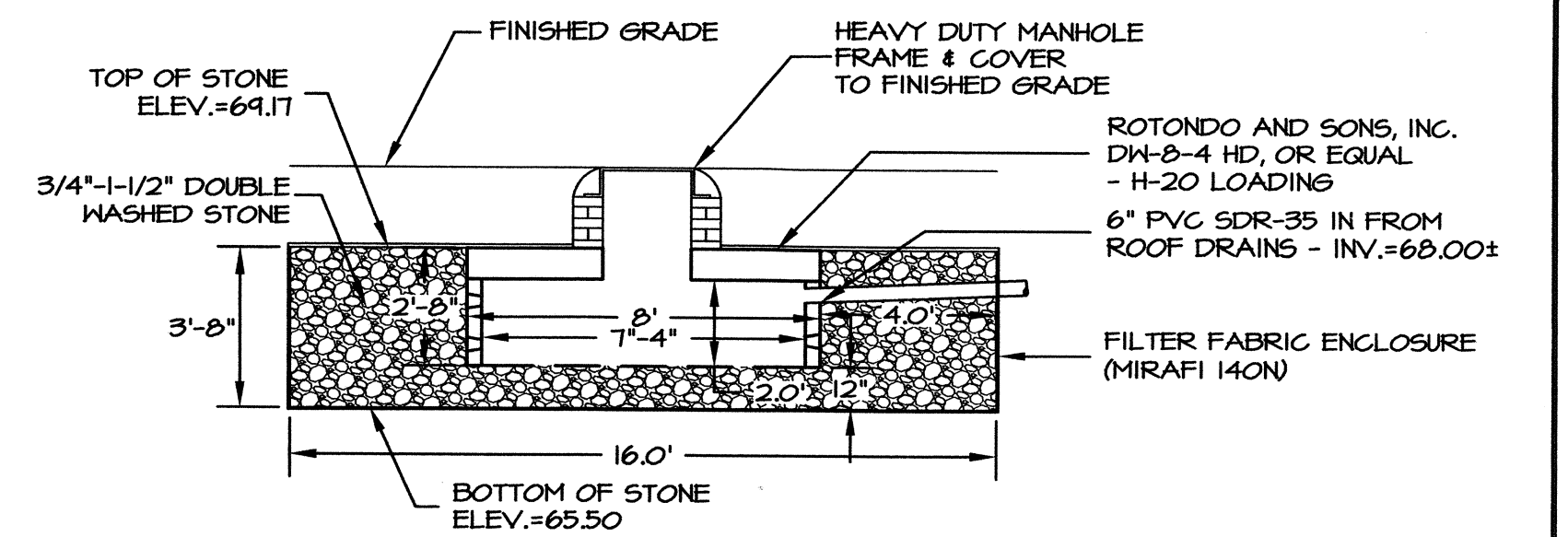


**WEIR "B" - SECTION**  
SCALE 1" = 4'-0"

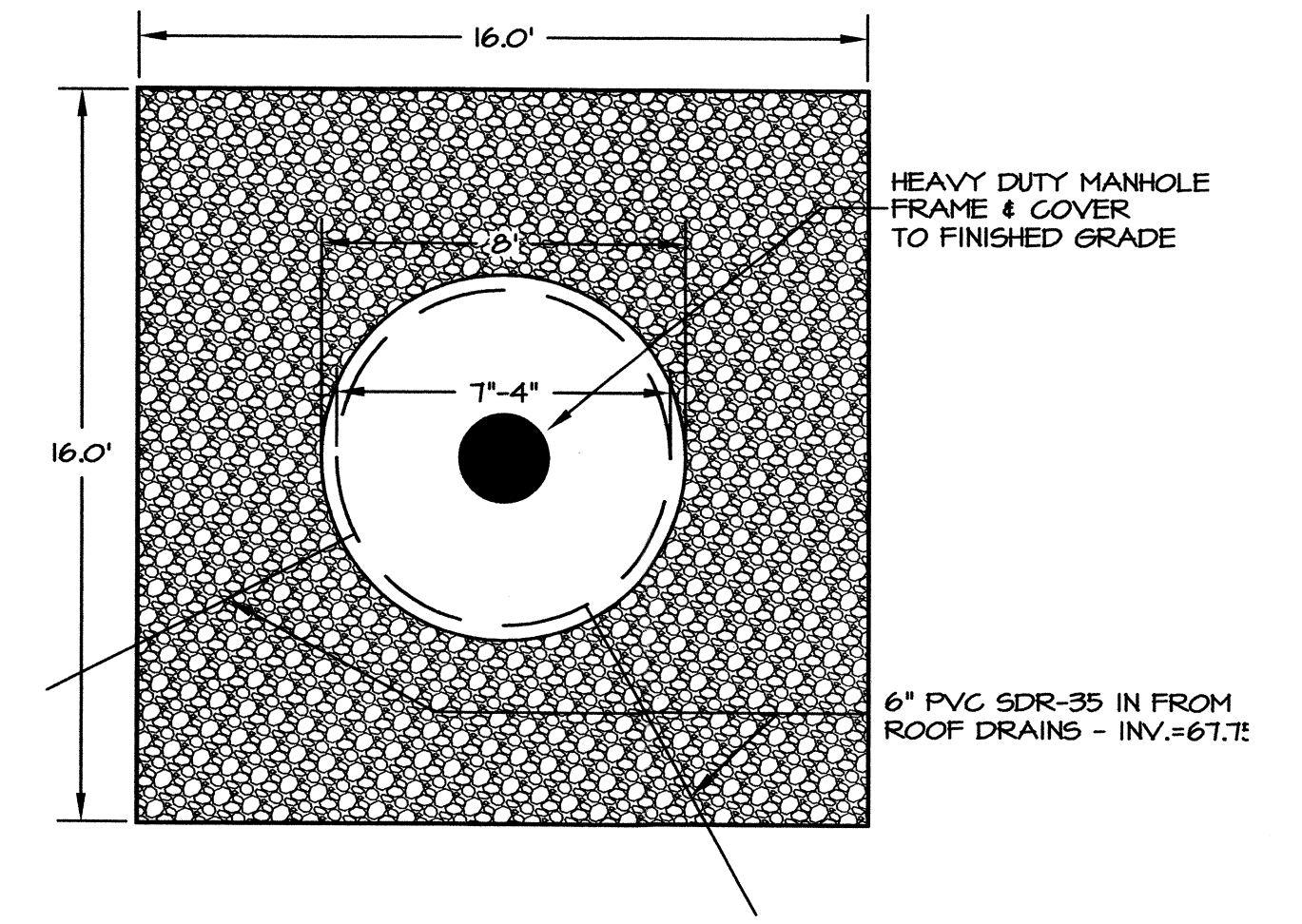


**WEIR "B" - FRONT VIEW**  
SCALE 1" = 4'-0"

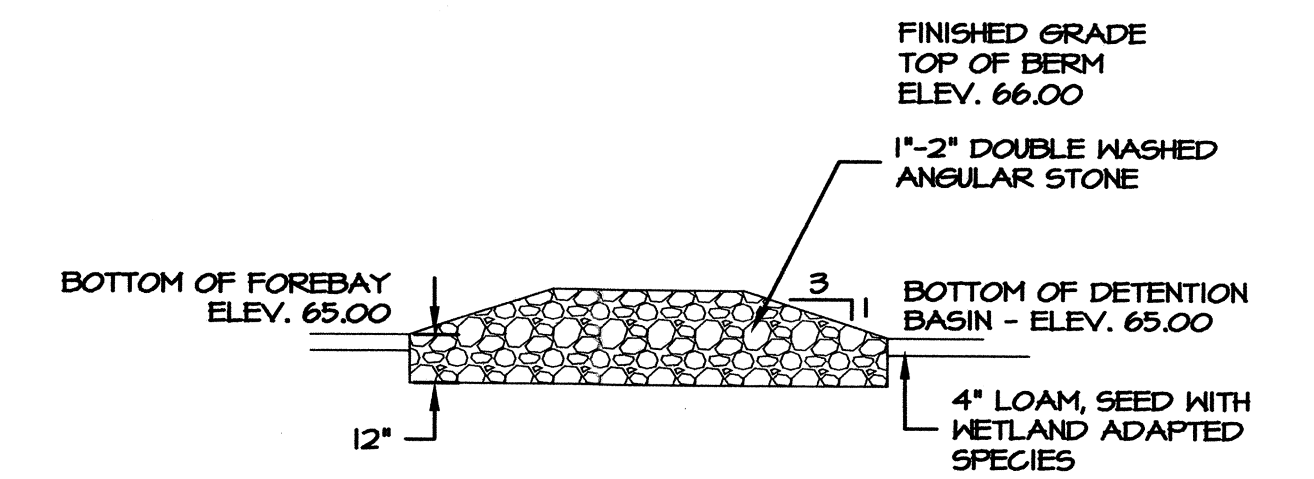
NOTE:  
REMOVE ALL UNSUITABLE MATERIAL TO 5'  
BEYOND LIMIT OF STONE



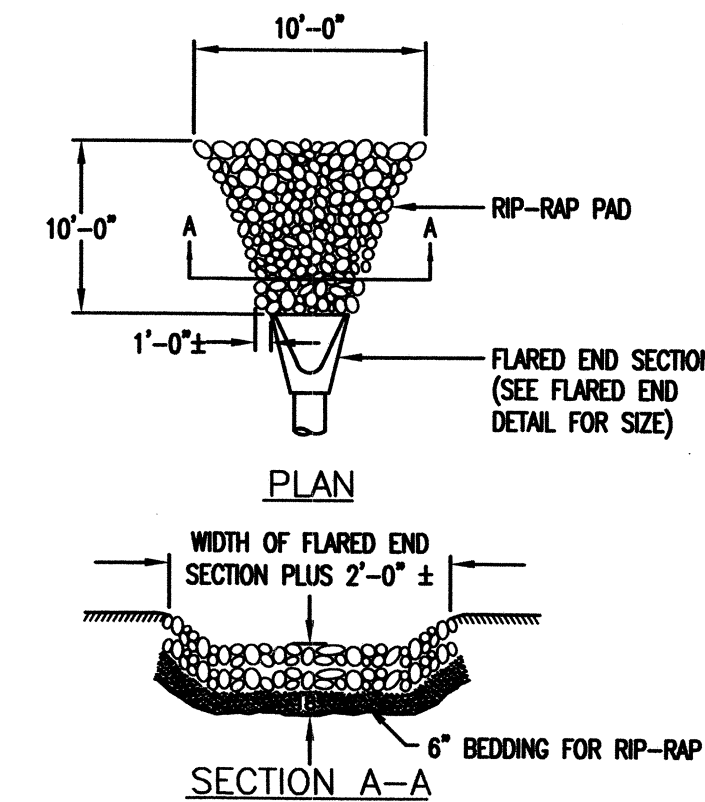
**ROOF DRAIN RECHARGE STRUCTURE "A" - SECTION**  
SCALE 1" = 4'



**ROOF DRAIN RECHARGE STRUCTURE "A" - PLAN**  
SCALE 1" = 4'



**FOREBAY BERM - SECTION**  
SCALE 1" = 4'-0"



NOTE:  
SIZE OF RIP-RAP TO BE MASS HIGHWAY STANDARD SPECIFICATIONS, DIVISION III  
MATERIAL CODE - M2.02.3 STONE FOR PIPE ENDS. EACH STONE SHALL WEIGH NOT  
LESS THAN 50 POUNDS, NOT MORE THAN 125 POUNDS AND AT LEAST 75% OF THE  
VOLUME SHALL CONSIST OF STONES WEIGHING NOT LESS THAN 75 POUNDS EACH.

**RIP-RAP AT FLARED END SECTION**  
ALL FLARED END SECTIONS

<b>DETAIL SHEET NO. 2</b> <b>DEFINITIVE SUBDIVISION</b> <b>GREENWOOD FARM</b> <b>PREPARED FOR</b> <b>DuSHAW DEVELOPMENT COMPANY</b> <b>GREENWOOD AVENUE</b> <b>SEEKONK, MASSACHUSETTS</b>	
	<b>CAPUTO AND WICK LTD.</b> 1150 PAWTUCKET AVE. RUMFORD, R.I. 02916 401-434-8880
DATE <b>NOVEMBER 1, 2004</b>	SHEET <b>12 OF 14</b>