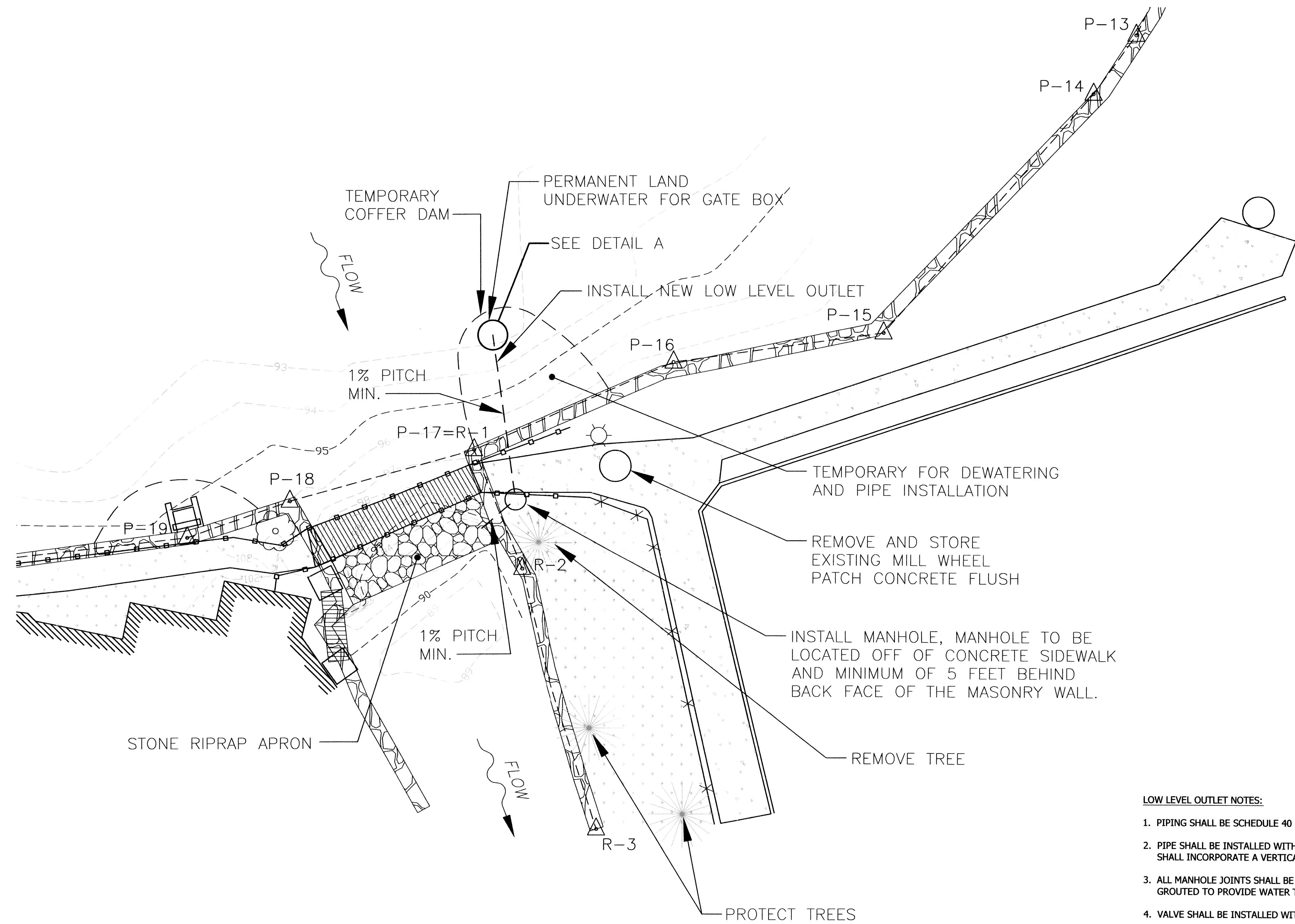
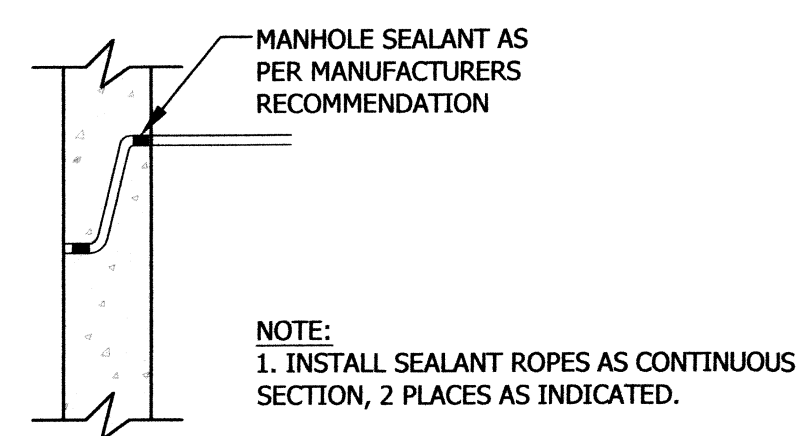
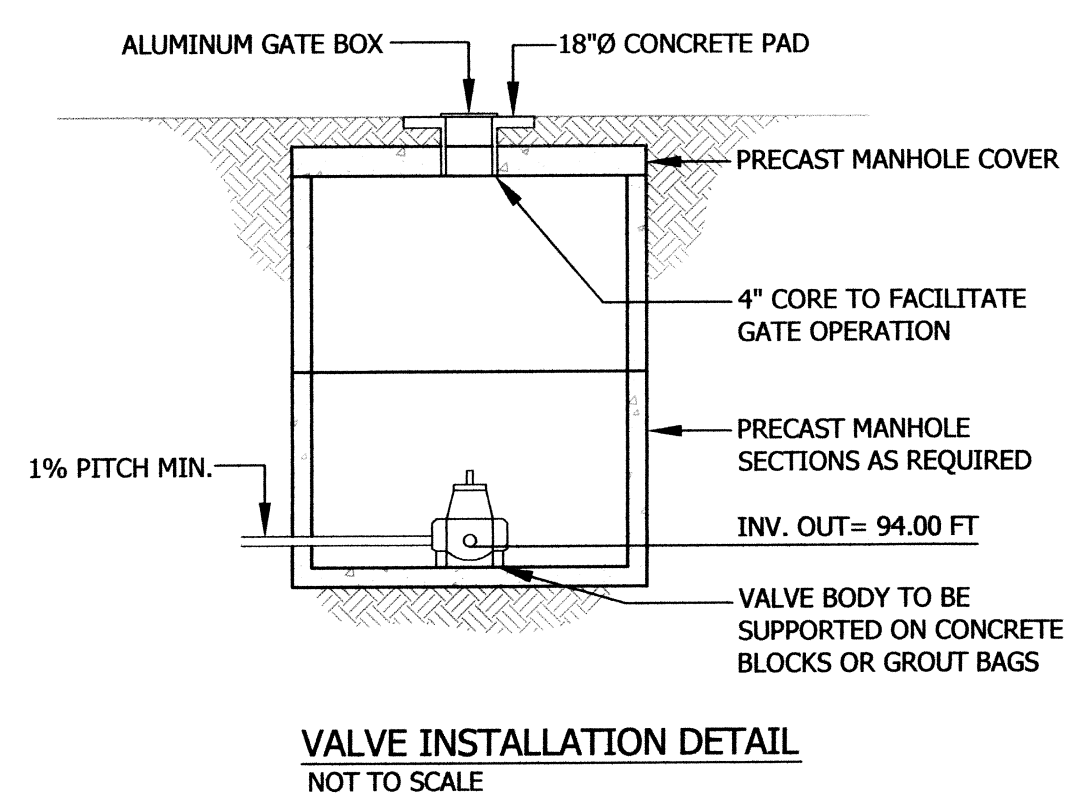
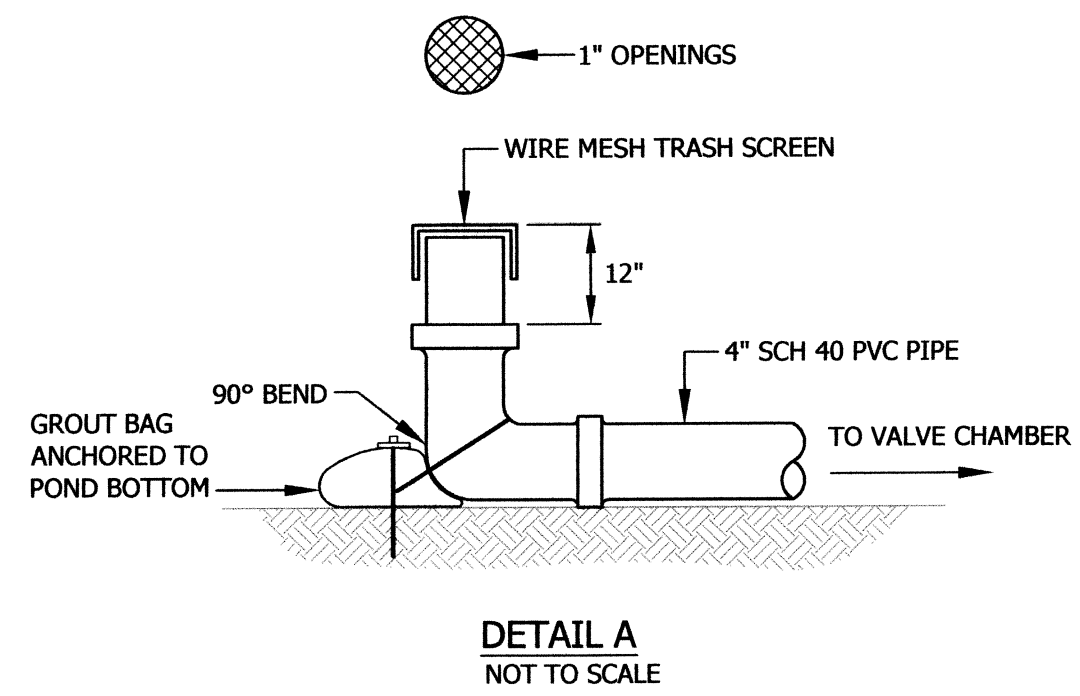


ISSUED FOR PERMIT
NOT FOR CONSTRUCTION



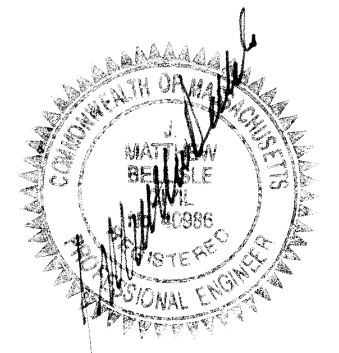
PROPOSED LOW LEVEL OUTLET PLAN
SCALE: 1" = 10'

LOW LEVEL OUTLET NOTES:

1. PIPING SHALL BE SCHEDULE 40 PVC PIPE WITH GASKETED JOINTS.
2. PIPE SHALL BE INSTALLED WITH UPSTREAM INVERT AT ELEVATION 95' AND SHALL INCORPORATE A VERTICAL RISER OF 12" AND TRASH SCREEN.
3. ALL MANHOLE JOINTS SHALL BE DOUBLE GASKETED AS PER DETAIL AND GROUTED TO PROVIDE WATER TIGHT JOINTS.
4. VALVE SHALL BE INSTALLED WITHIN MANHOLE.
5. MANHOLE COVER SHALL BE CORED TO FACILITATE OPERATION OF VALVE FROM SURFACE THROUGH GATE BOX.
6. MASONRY WALLS ALONG UPSTREAM AND DOWNSTREAM SHALL BE RECONSTRUCTED IN KIND UTILIZING LIKE OR REMOVED MATERIALS.

OLD GRIST MILL POND DAM

MA02218
SEEKONK, MASSACHUSETTS
DARDEN RESTAURANTS
ORLANDO, FLORIDA



REVISIONS:

NO.	DATE	DESCRIPTION

PROJECT NO.:	08227.00
DATE:	DECEMBER 2008
SCALE:	AS NOTED
DESIGNED BY:	
CHECKED BY:	JMB
DRAWN BY:	GLB
APPROVED BY:	JMB
DRAWING TITLE:	PROPOSED LOW LEVEL OUTLET WORK
DRAWING NO.:	4
SHEET NO.:	4 OF 5