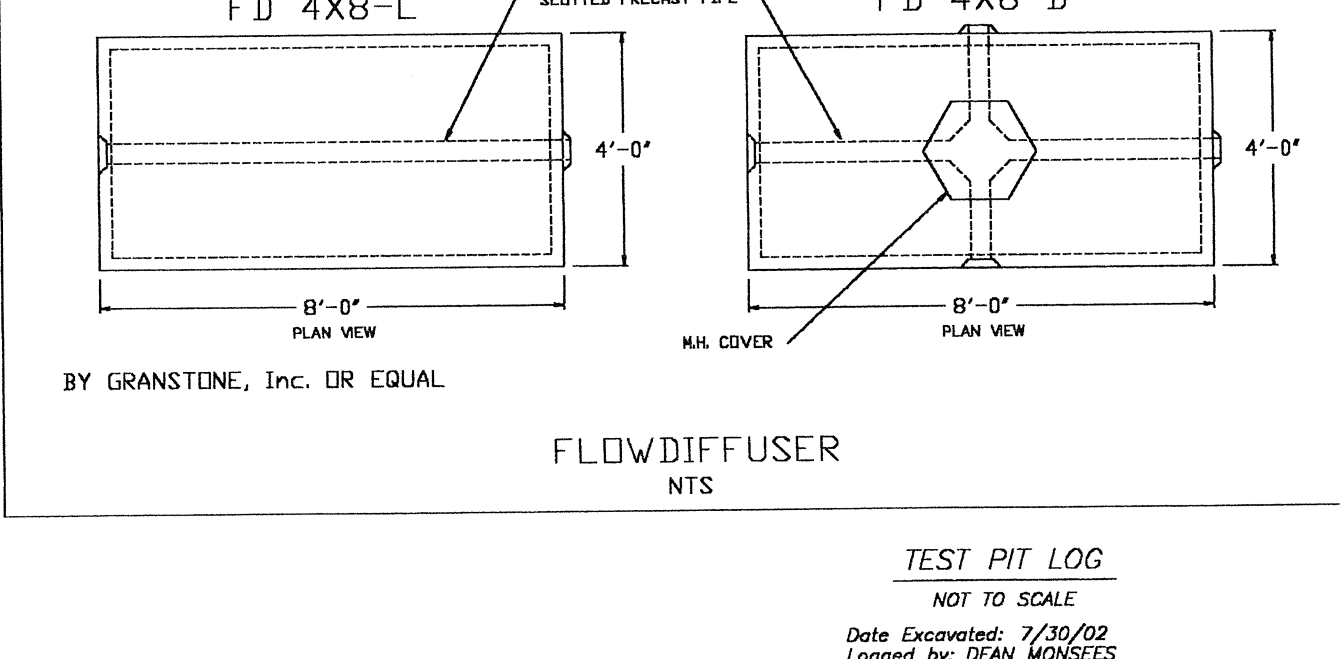


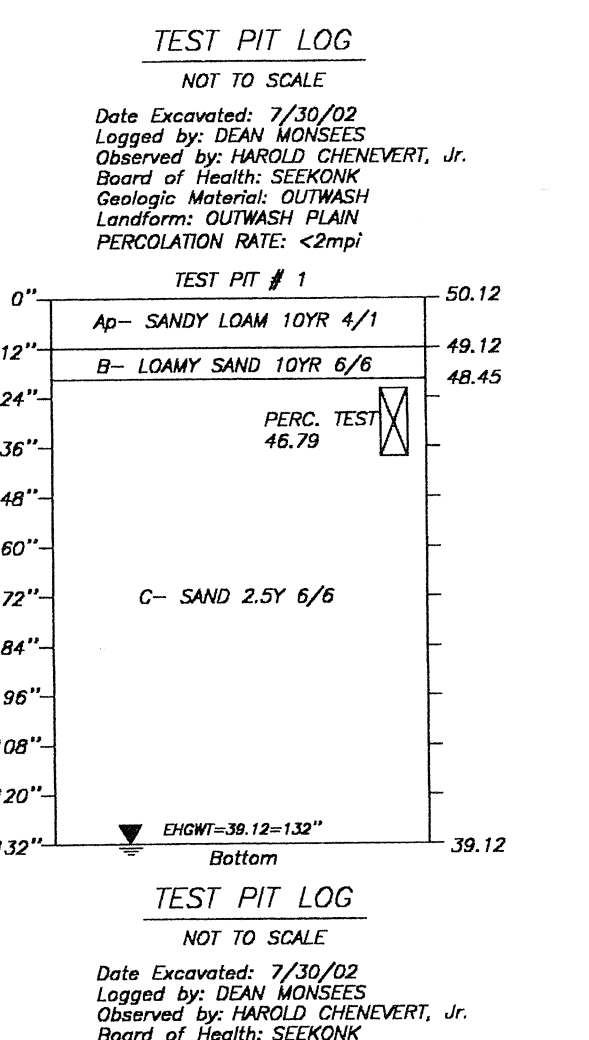
I CERTIFY THAT I HAVE CONTACTED THE SEEKONK WATER DISTRICT FOR THE LOCATION OF THE EXISTING WATER SERVICE CURB STOP TO LOTS 369-374 AND WAS INFORMED THERE IS NO CURB STOP CURRENTLY FOR THIS LOT. THE WATER SERVICE SHOWN ON THIS PLAN IS IN ACCORDANCE WITH THE RULES AND REGULATIONS OF THE SEEKONK WATER DISTRICT.

CONSTRUCTION NOTE:  
OSD engineering & associates TO BE NOTIFIED BY THE INSTALLING CONTRACTOR AT THE START OF CONSTRUCTION AND TO BE GIVEN 24 HOUR NOTICE FOR AS-BUILT.

SCALE: 1"=20'



- GENERAL NOTES:
- ALL CONSTRUCTION SHALL CONFORM TO THE TOWN OF SEEKONK BOARD OF HEALTH RULES AND REGULATIONS AND TITLE 5, THE STATE ENVIRONMENTAL CODE.
  - THIS PLAN IS TO BE USED FOR THE CONSTRUCTION OF THE DESIGN DISPOSAL SYSTEM AND DOES NOT REPRESENT ACTUAL AS BUILT CONDITIONS UNLESS OTHERWISE NOTED.
  - THE PROPOSED SYSTEM SHOWN HEREON IS NOT DESIGNED FOR THE USE OF A GARBAGE DISPOSAL AND SAID USE IS NOT ALLOWED.
  - THE SEPTIC TANK SHOULD BE PUMPED OUT EVERY ONE TO TWO YEARS DEPENDING ON USE.
  - ALL BASE AGGREGATE FOR LEACHING STRUCTURES SHALL CONSIST OF DOUBLE WASHED STONE FREE OF IRON, FINES, AND DUST IN PLACE.
  - TIGHT JOINT PIPING TO CONSIST OF POLYVINYL CHLORIDE PIPE (PVC) SCHEDULE 40, UNLESS OTHERWISE NOTED.
  - NO PERMANENT STRUCTURE MAY BE CONSTRUCTED OVER THE SEPTIC SYSTEM AREA.
  - BEFORE BEGINNING ANY EXCAVATION OR DEMOLITION CALL "DIG SAFE" AT 1-888-344-7233 TO NOTIFY MEMBER UTILITIES.
  - THE GRADE ABOVE AND ADJACENT TO THE LEACHING FACILITY SHALL BE SLOPED TO PREVENT THE ACCUMULATION OF SURFACE DRAINAGE (2% MINIMUM SLOPE).
  - THE OVER-DIG AREA (D) AS SHOWN HEREON IS TO BE STRIPPED OF ALL TREES, BRUSH, STUMPS, TOPSOIL, PEAT, OR OTHER IMPERVIOUS MATERIALS. THE (D) AREA EXTENDS 5 FEET HORIZONTALLY AROUND THE PROPOSED SYSTEM AND TO THE DEPTH SPECIFIED. THE REPLACEMENT MATERIAL SHALL MEET SPECIFICATIONS OF 310 CMR 15.255 OF THE STATE ENVIRONMENTAL CODE.
  - ANY SOILS ASSOCIATED WITH EXISTING FAILED LEACHING FACILITIES SHALL BE REMOVED AND REPLACED WITH MATERIAL MEETING SPECIFICATIONS OF 310 CMR 15.255 OF THE STATE ENVIRONMENTAL CODE.
  - THERE SHALL BE NO BACK FILLING PRIOR TO ENGINEERING AND BOARD OF HEALTH INSPECTION AND APPROVAL.
  - THE FINISHED GRADE OVER SEPTIC SYSTEM SHALL BE GRADED, LOAMED, AND SEEDED.
  - THE CELLAR FLOOR ELEVATION SHOWN HAS BEEN SUGGESTED AS A MINIMUM BASED ON OBSERVED GROUNDWATER TABLE INDICATORS. SINCE THE GROUNDWATER LEVELS FLUCTUATE ANNUALLY, NO WARRANTY OF A DRY CELLAR IS EXPRESSED OR IMPLIED.



DESIGN CALCULATIONS

FLOW: SIZE FOR 3 BEDROOMS  
 $(3bdrn)(110gpd/bdrn) = 330\text{ gpd } 660\text{ PEAK}$

SEPTIC TANK:  
NEW 1500 GAL. TANK > 660

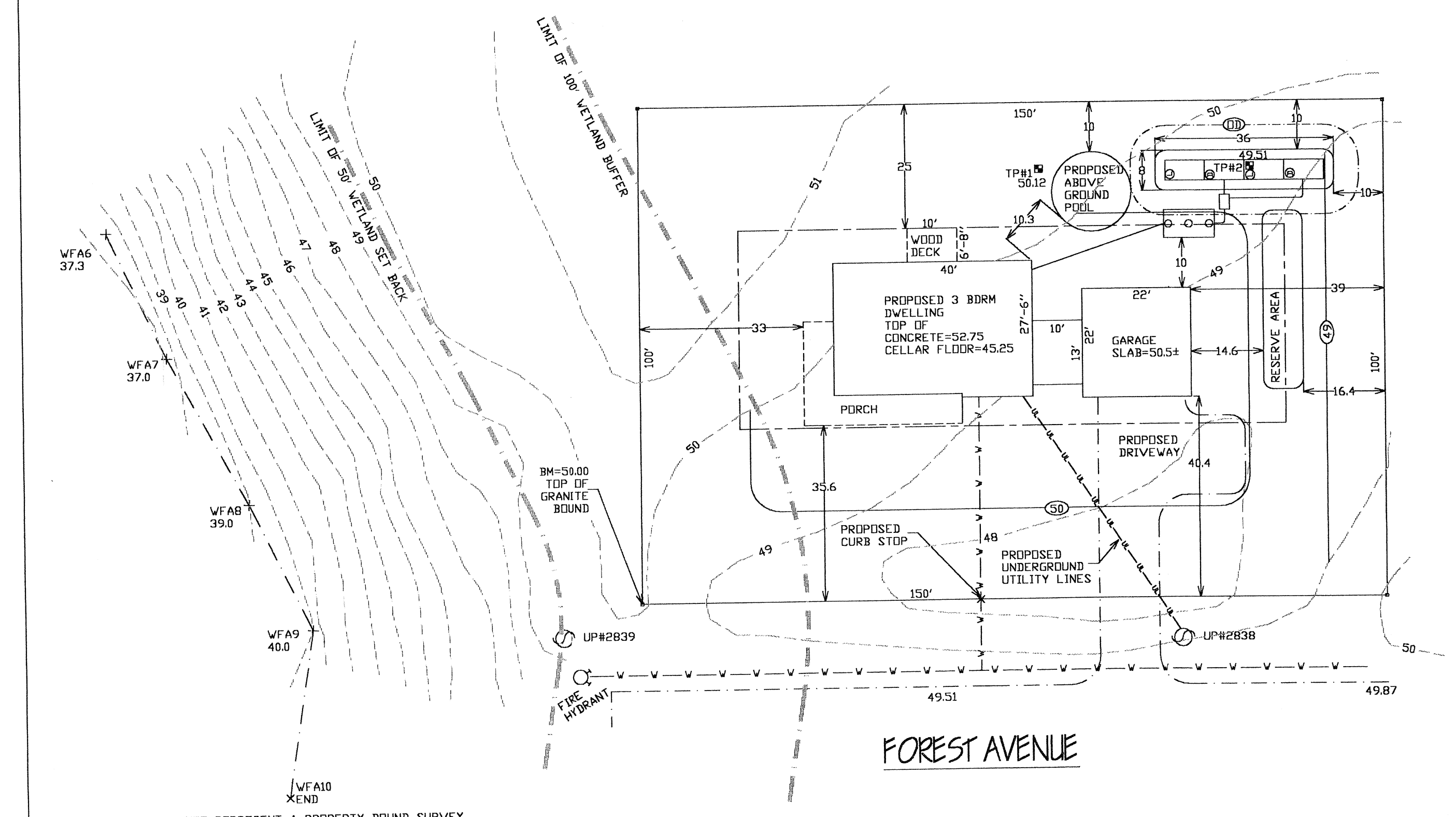
LEACHING FIELD:  
RATE =  $(1/0.74)\text{ sf/gpd FOR PERC} = <2\text{ mpi}$   
MINIMUM SIZE:  $(330\text{gpd})(1/0.74)\text{sf/gpd} = 456\text{ sf}$   
USE 4- 4'x8' FLOW DIFFUSERS WITH 2' OF STONE BELOW THE INVERTS, 2' OF STONE ON THE SIDES AND 2' OF STONE ON THE ENDS OF THE FLOW DIFFUSERS  
SIDE WALLS:  $36'\times2'\times2=144\text{sf}$   
END WALLS:  $8'\times2'\times2=32\text{sf}$   
BOTTOM:  $36'\times8'=288\text{sf}$   
TOTAL SQUARE FOOTAGE:  $144+32+288=464\text{sf}\times4=1856\text{sf}$

LEGEND

TEST PIT	TP#1	EXISTING SPOT GRADE	52.29
DISTRIBUTION BOX		EXISTING CONTOUR	50
SEPTIC TANK		PROPOSED CONTOUR	50
FLOW DIFFUSER		WATER SERVICE	
		UTILITY POLE	UP#2838

REVISIONS

FEB 11 2003  
Con. Comm.



SITE DEVELOPMENT & SEWAGE DISPOSAL SYSTEM PLAN

LOT NUMBERS: 369-374 AREA OF LOT: 15,000sf PLAT NO: 31

LOT ADDRESS: FOREST AVENUE 69-515

SEEKONK, MA

PREPARED FOR:  
LISA MENDES  
55 BLISS AVENUE  
APT. 4  
ATTLEBORO, MA 02703-7200

SCALE: AS SHOWN  
DATE: DECEMBER 16, 2002

DESIGNED BY: DRM  
JOB NO: 02-161  
FILE: FORESTNEW.dwg

OSD engineering & associates  
CIVIL ENGINEERS  
45 ASTRAL AVENUE  
RIVERSIDE, RI 02915  
(401) 438-6216

NOTE: THIS PLAN DOES NOT REPRESENT A PROPERTY BOUND SURVEY.