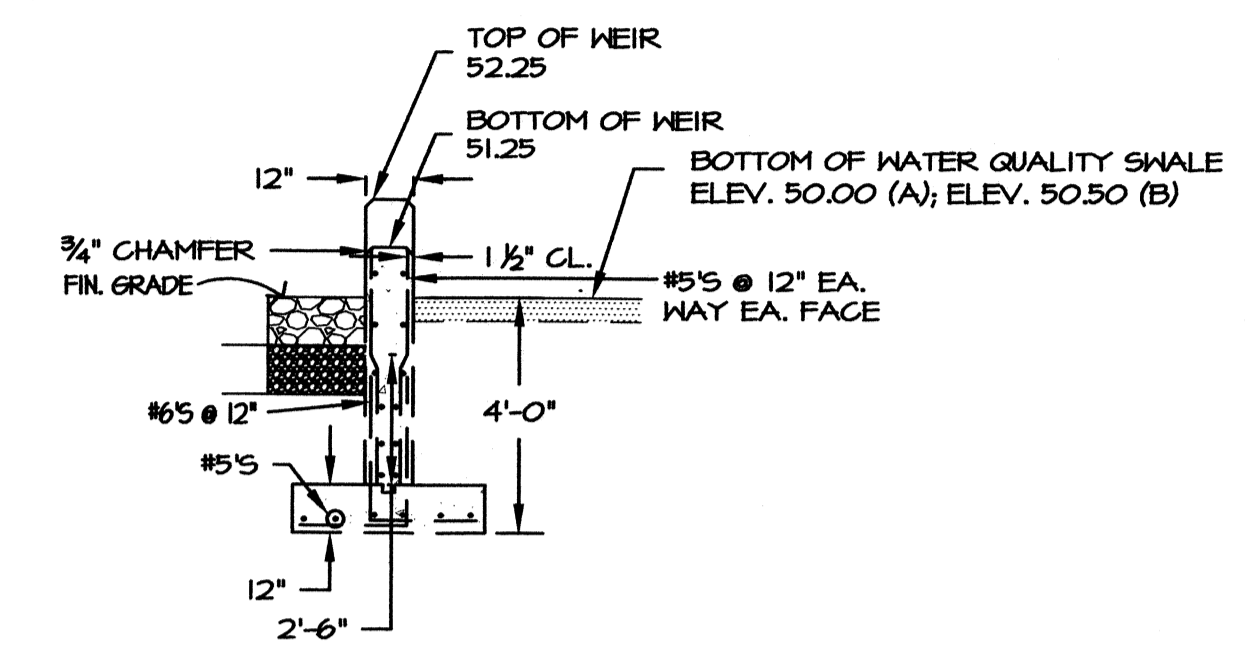
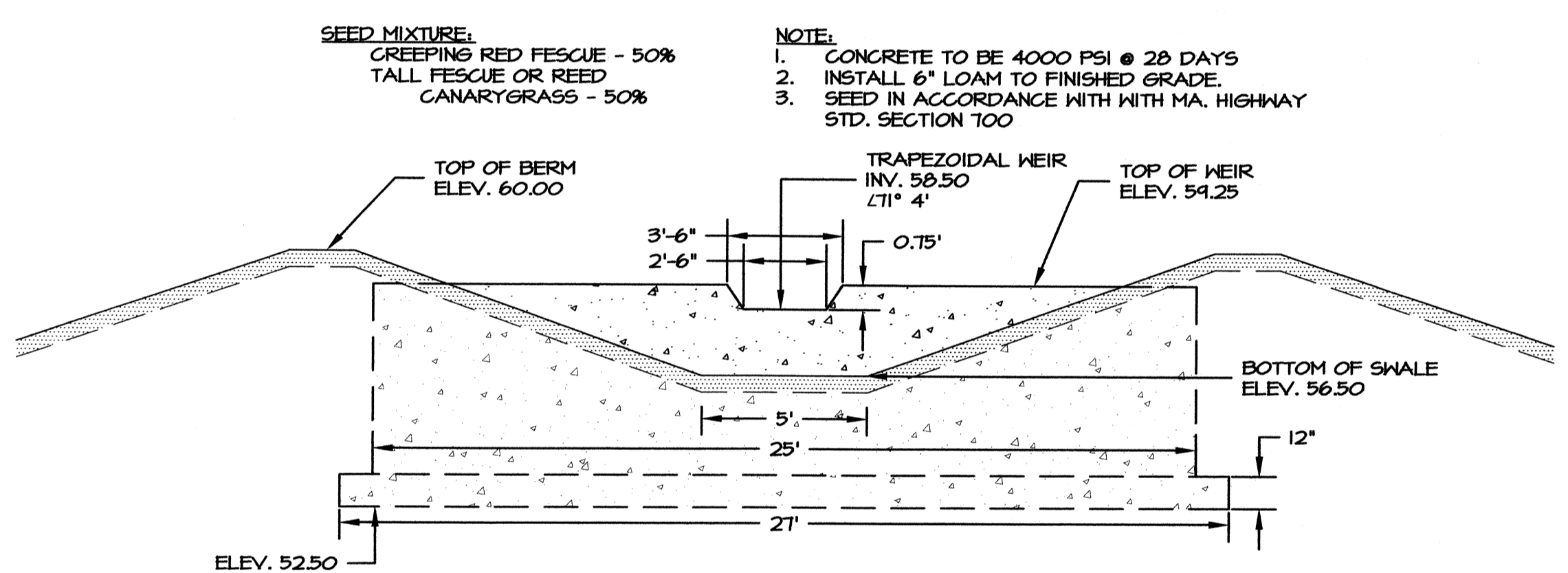


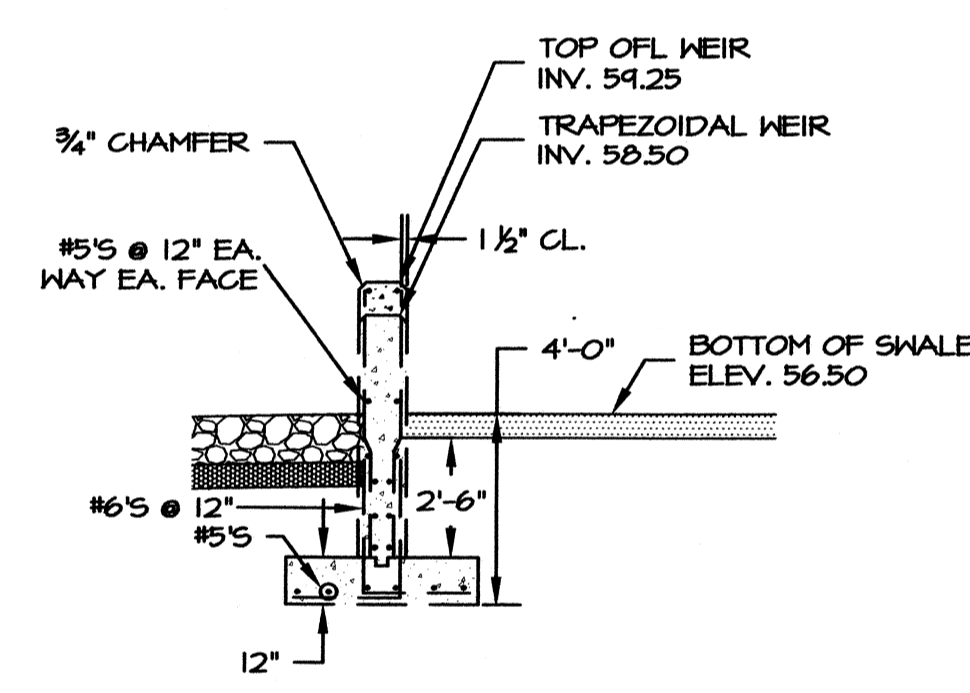
**WATER QUALITY SWALES A & B
 OUTLET STRUCTURE**
 SCALE: 1" = 4'-0"



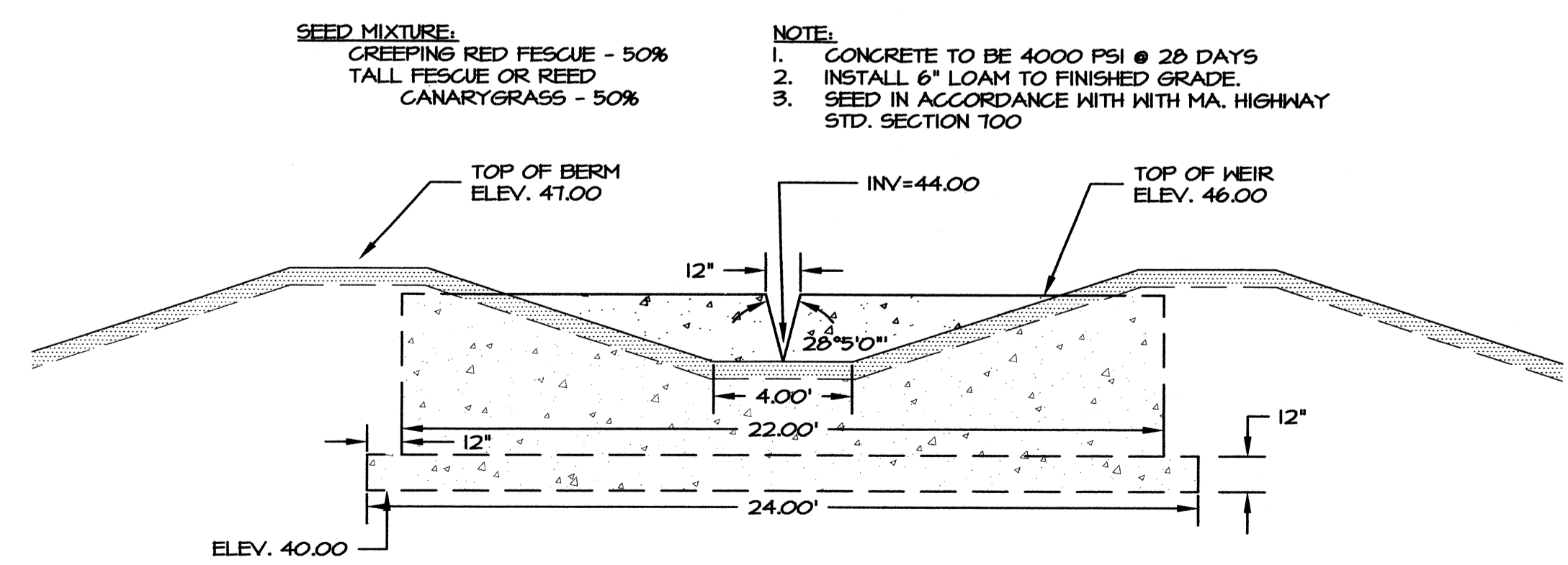
**WATER QUALITY SWALES A & B
 CONTROL STRUCTURE SECTION**
 SCALE: 1" = 4'-0"



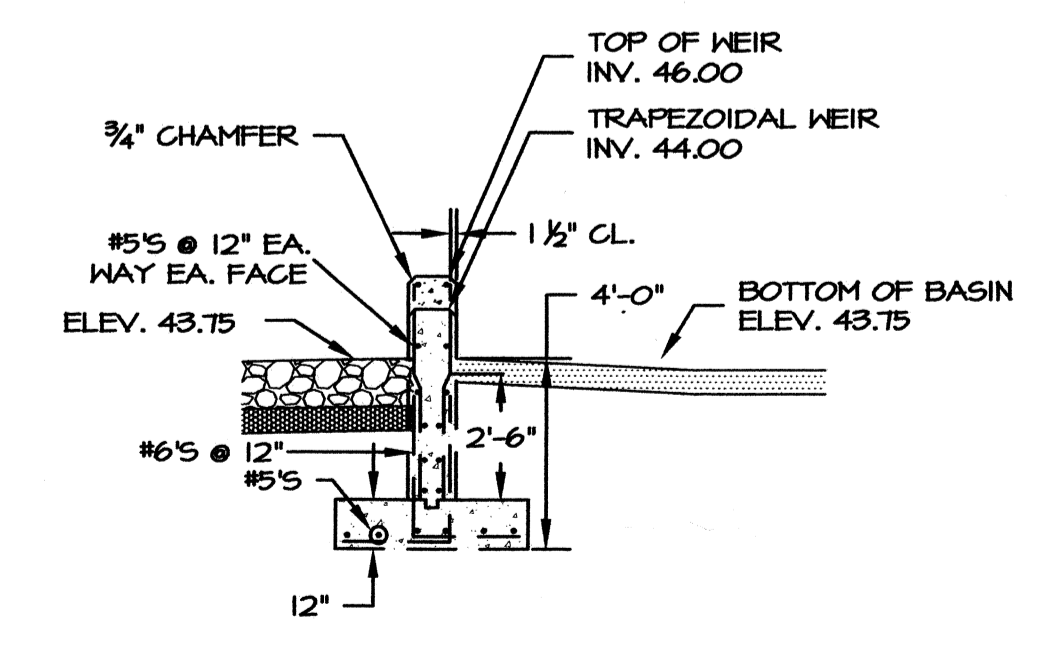
WATER QUALITY SWALE K OUTLET STRUCTURE
 SCALE: 1" = 4'-0"



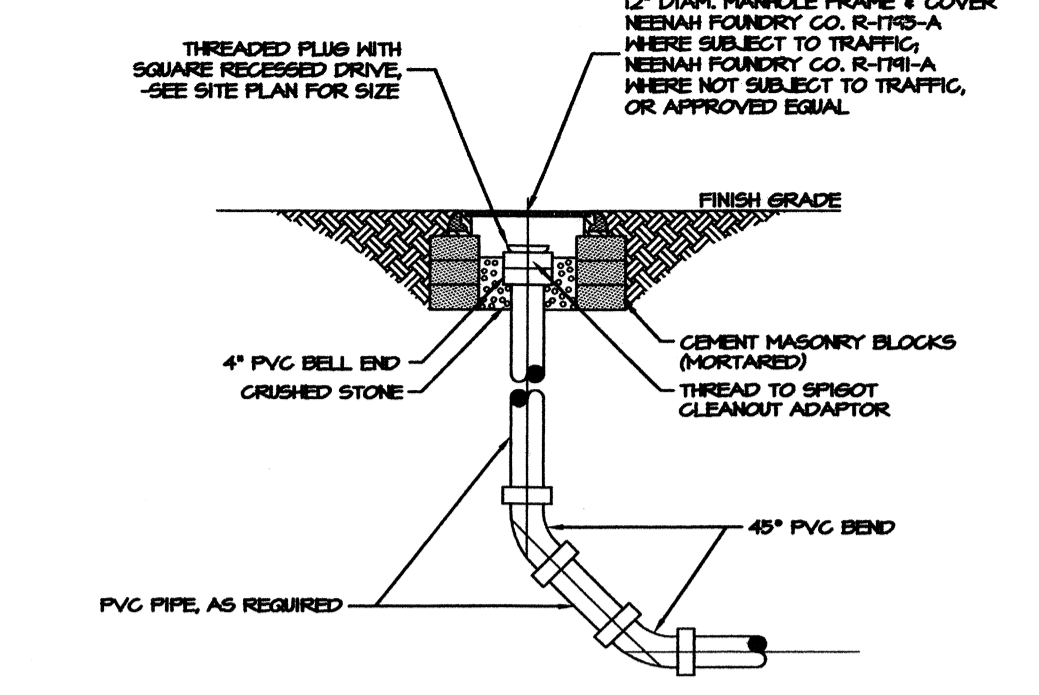
**WATER QUALITY SWALE K OUTLET
 STRUCTURE - SECTION**
 SCALE: 1" = 4'-0"



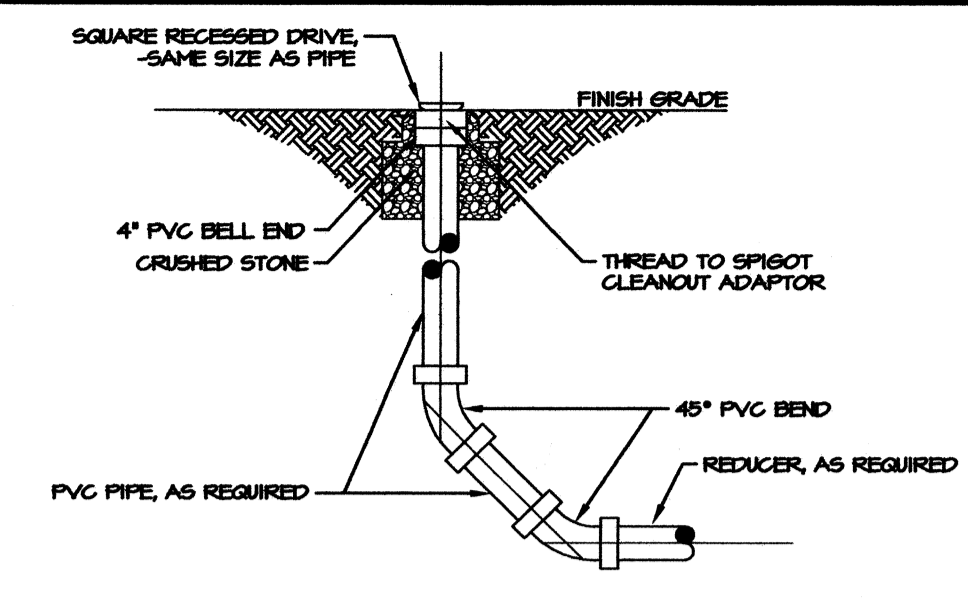
WET BASIN N OUTLET STRUCTURE
 SCALE: 1" = 4'-0"



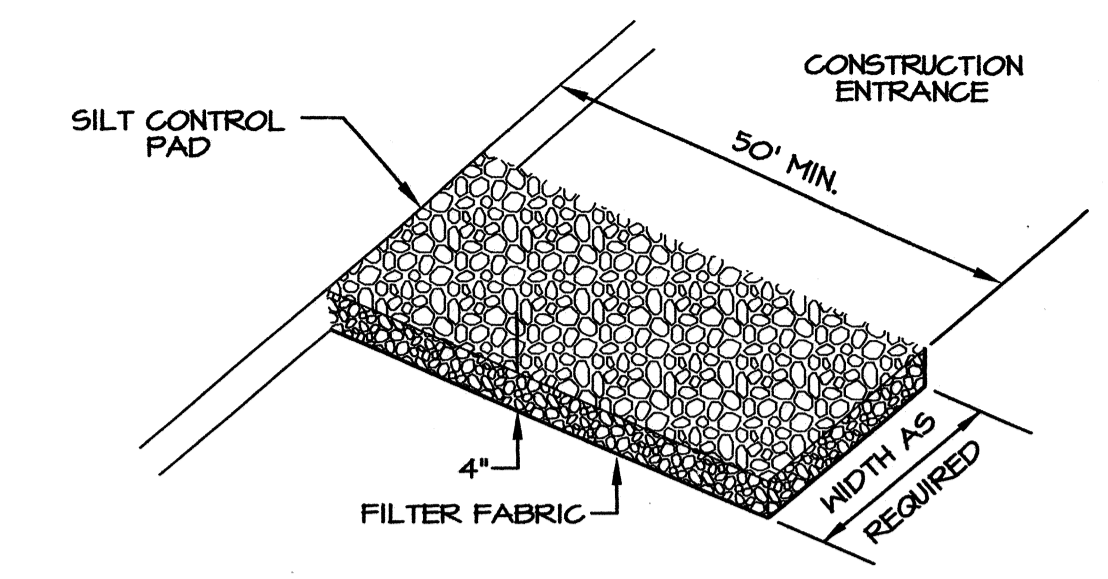
**WET BASIN N
 OUTLET STRUCTURE - SECTION**
 SCALE: 1" = 4'-0"



TYPICAL CLEANOUT DETAIL
 NOT TO SCALE



INFILTRATION BASIN CLEANOUT DETAIL
 NOT TO SCALE

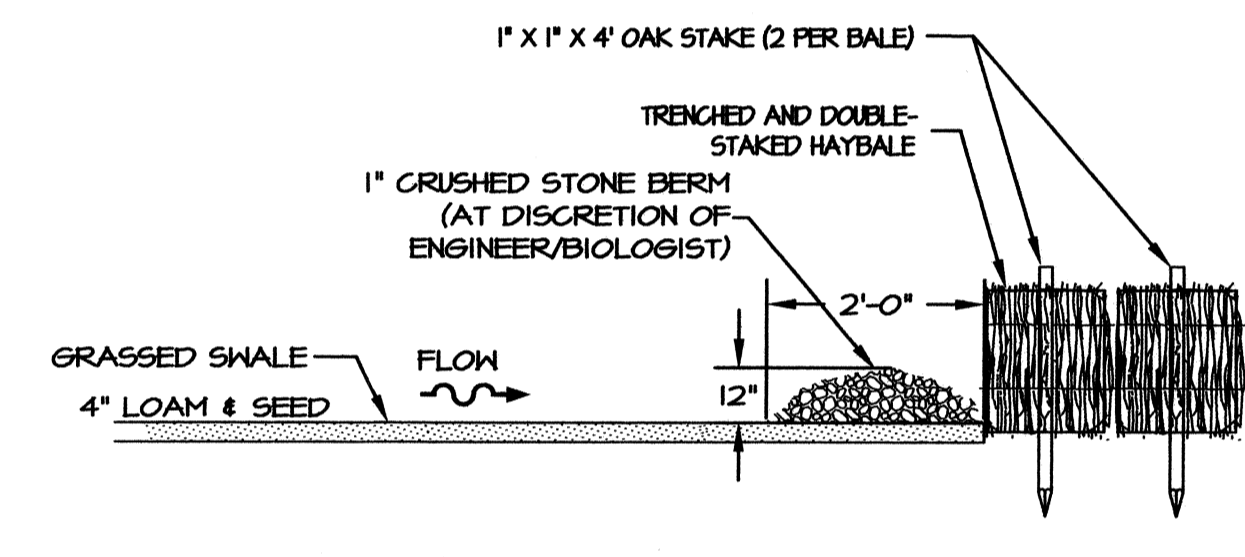


MATERIALS SIZE

SQUARE MESH SIEVES	2" CRUSHED STONE OR GRAVEL	ASTM C-33 NO.2	ASTM C-33 NO.3
	% FINER	% FINER	% FINER
2-1/2 INCHES	100	90-100	100
2 INCHES	95-100	35-70	90-100
1-1/2 INCHES	30-55	0-15	35-70
1-1/4 INCHES	0-25	-	-
1 INCH	0-5	-	0-15
3/4 INCH	-	0-5	-
1/2 INCH	-	-	0-5
3/8 INCH	-	-	-

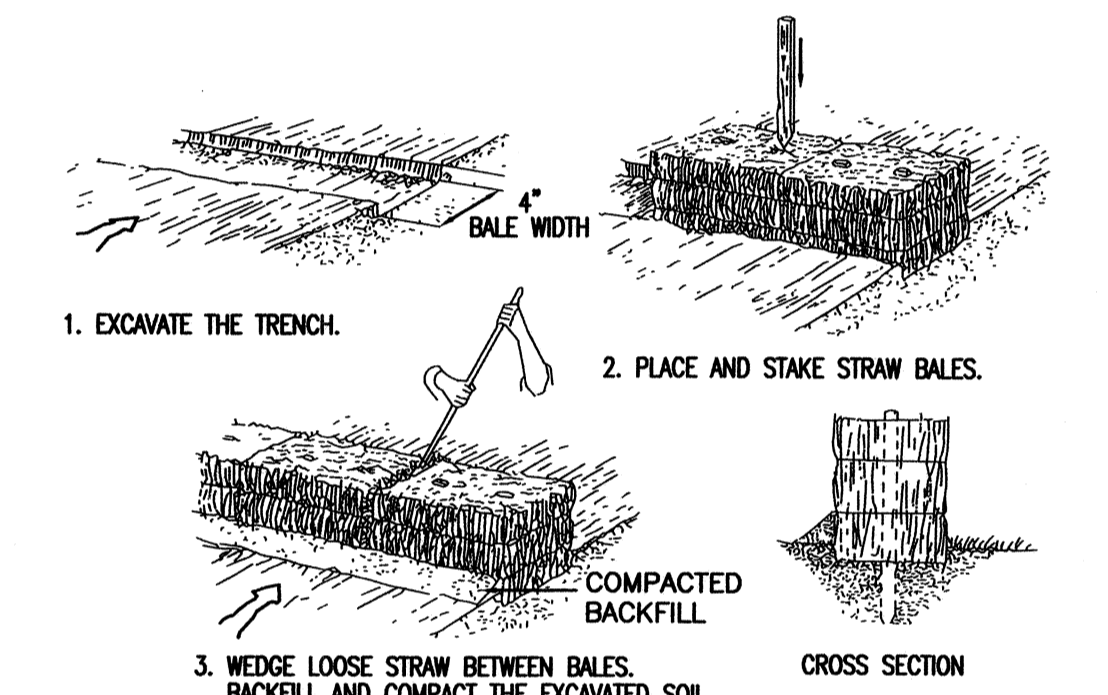
NOTE:
 SILT CONTROL PAD TO BE INSTALLED AND MAINTAINED IN CONFORMANCE WITH STANDARDS SET FORTH IN THE RHODE ISLAND SOIL EROSION AND SEDIMENT CONTROL HANDBOOK (1984 EDITION).

TEMPORARY SILT CONTROL PAD
 NOT TO SCALE

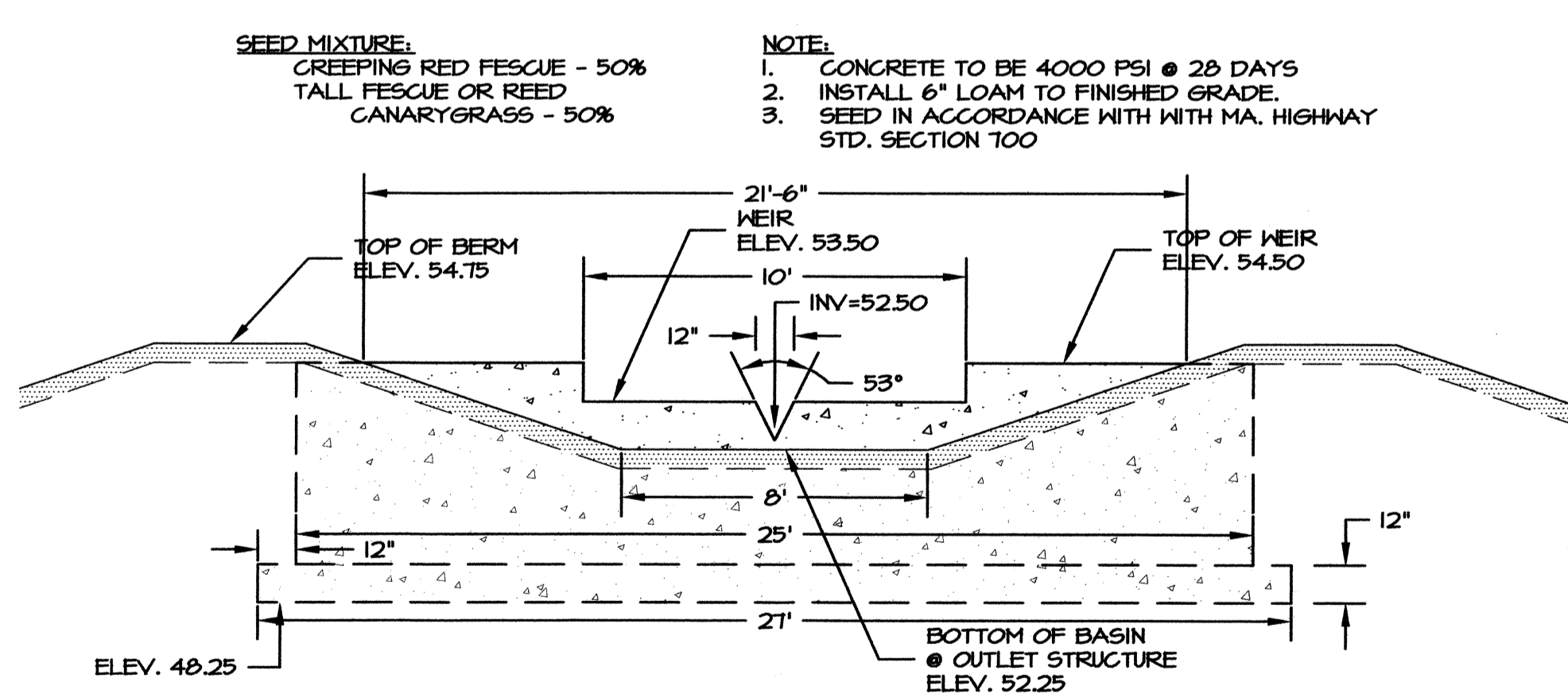


NOTE:
 HAY BALES AND CRUSHED STONE BERM TO BE REMOVED AFTER SITE IS STABILIZED AND APPROVED BY THE SEEKONK CONSERVATION COMMISSION.

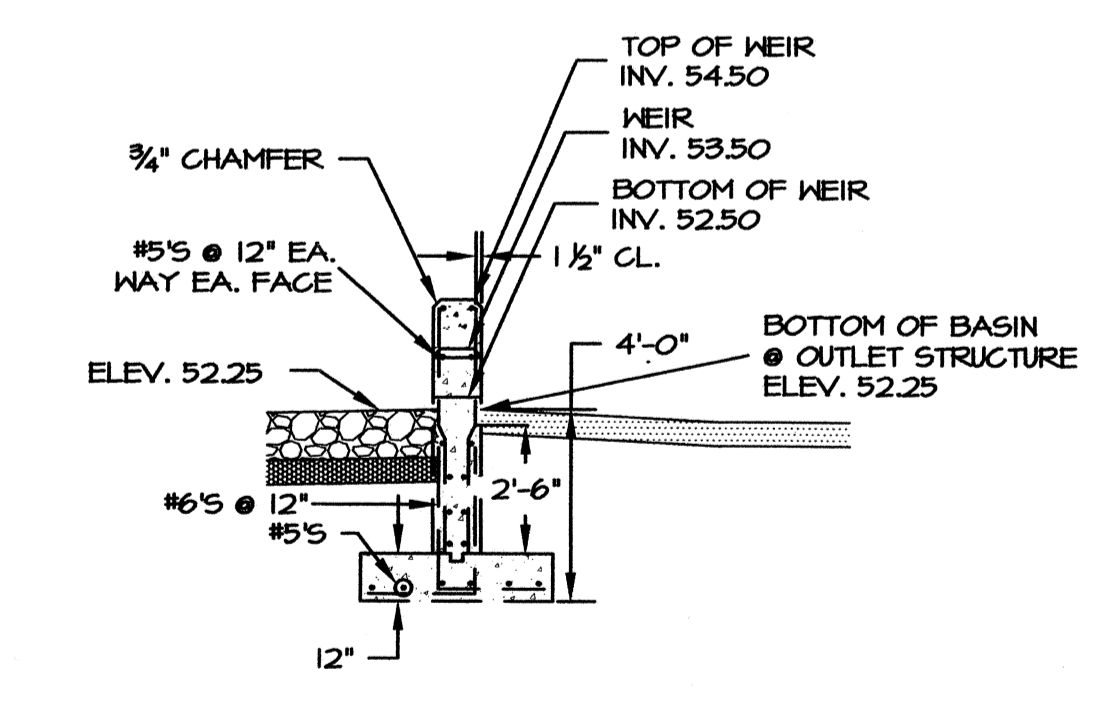
PROTECTION AT DRAINAGE OUTLET
 (NOT TO SCALE)



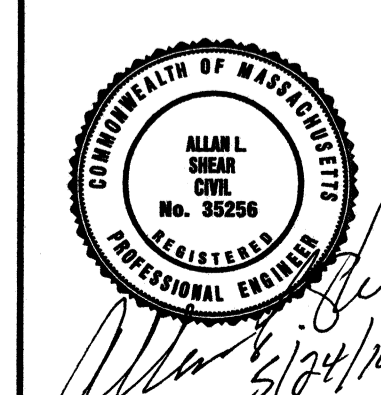
HAY BALE DETAIL
 (NOT TO SCALE)



WET BASIN F OUTLET STRUCTURE
 SCALE: 1" = 4'-0"



**WET BASIN F
 OUTLET STRUCTURE - SECTION**
 SCALE: 1" = 4'-0"



DETAIL SHEET NO. 3
GREENBRIER CONDOMINIUMS
 PREPARED FOR
RI SEEKONK HOLDINGS, LLC
 FALL RIVER AVENUE & COLE STREET
 SEEKONK, MASSACHUSETTS

CAPUTO AND WICK LTD.
 1150 PAWTUCKET AVE.
 RUMFORD, R.I. 02916
 401-434-8880

DATE August 31, 2009
 REV. MAY 2010
 SHEET 19 OF 21