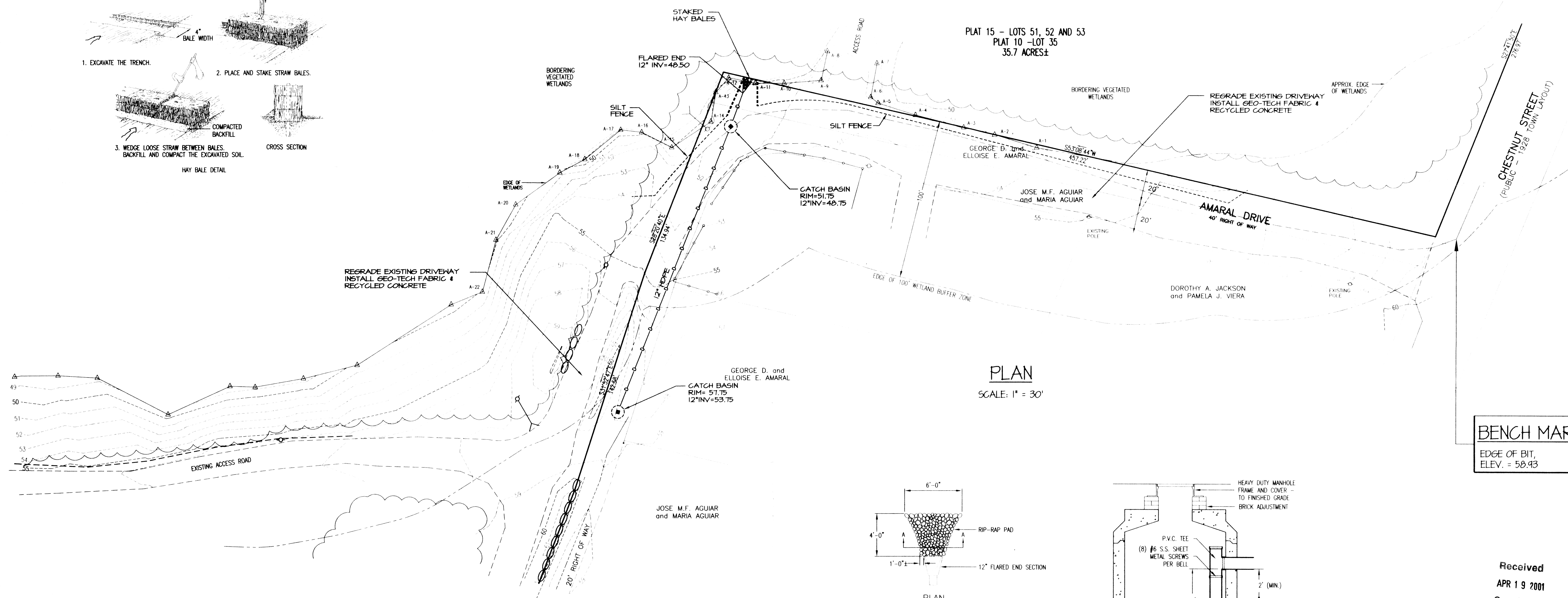
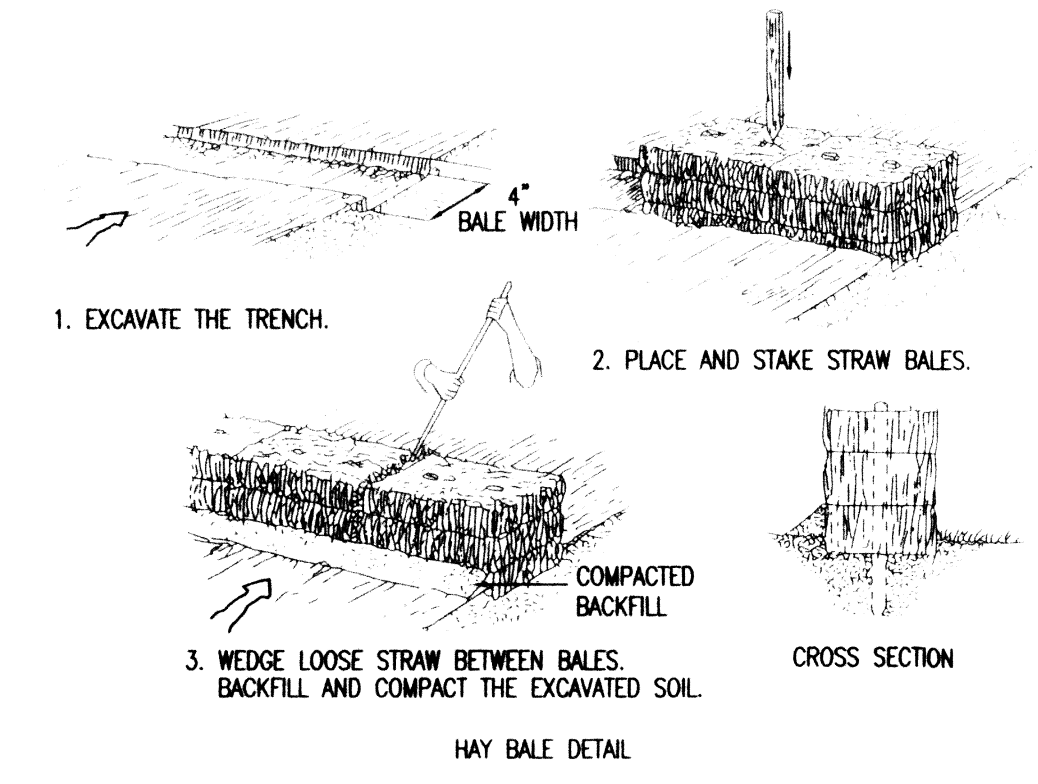
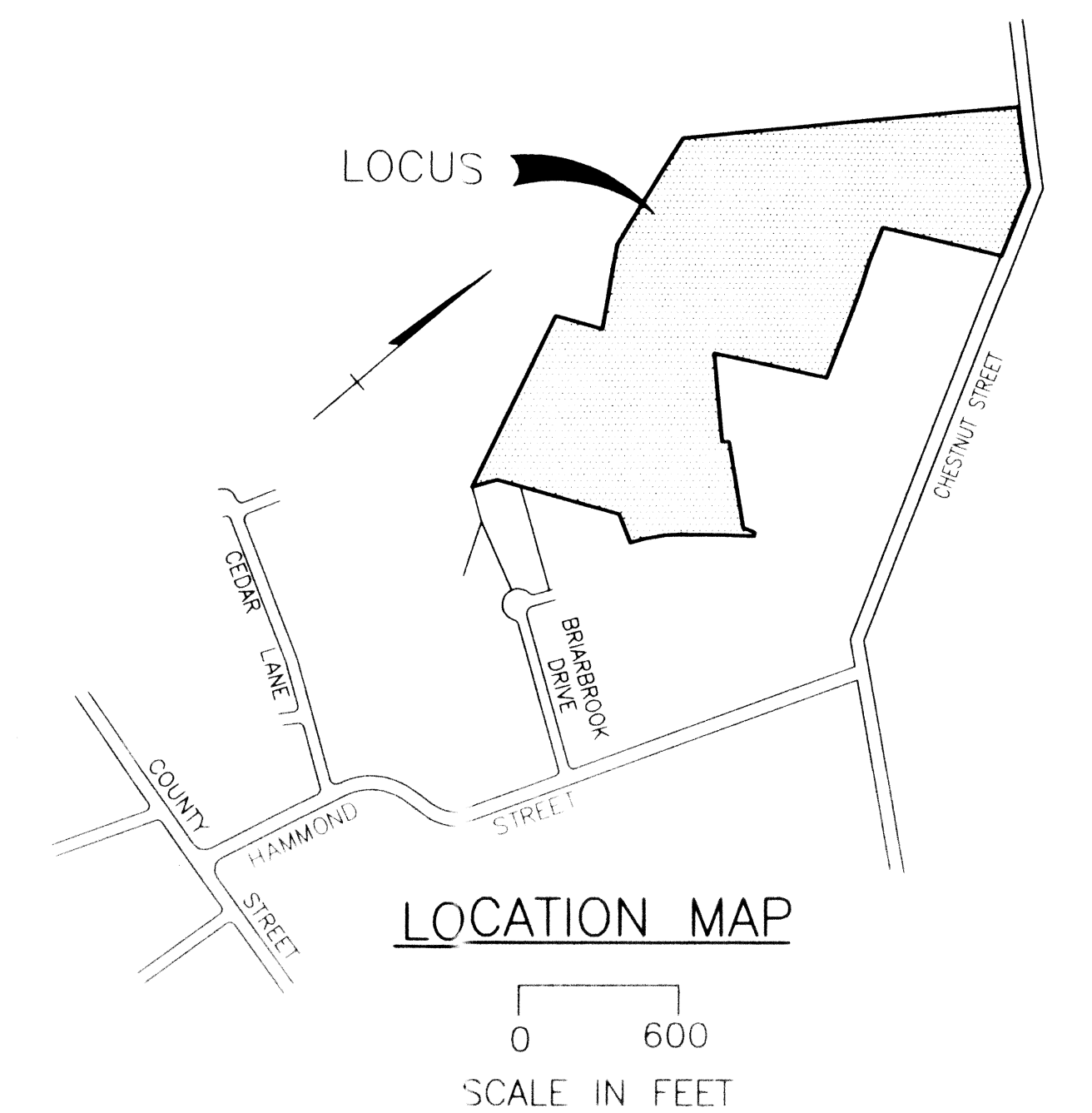
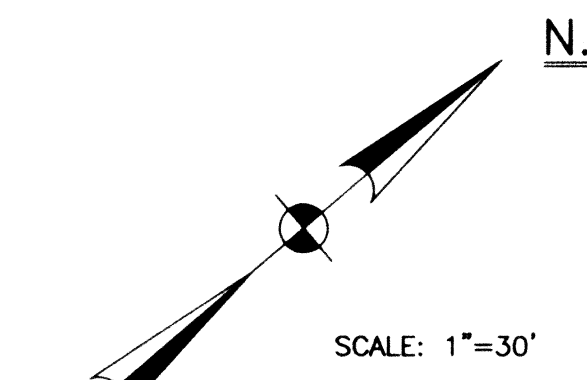
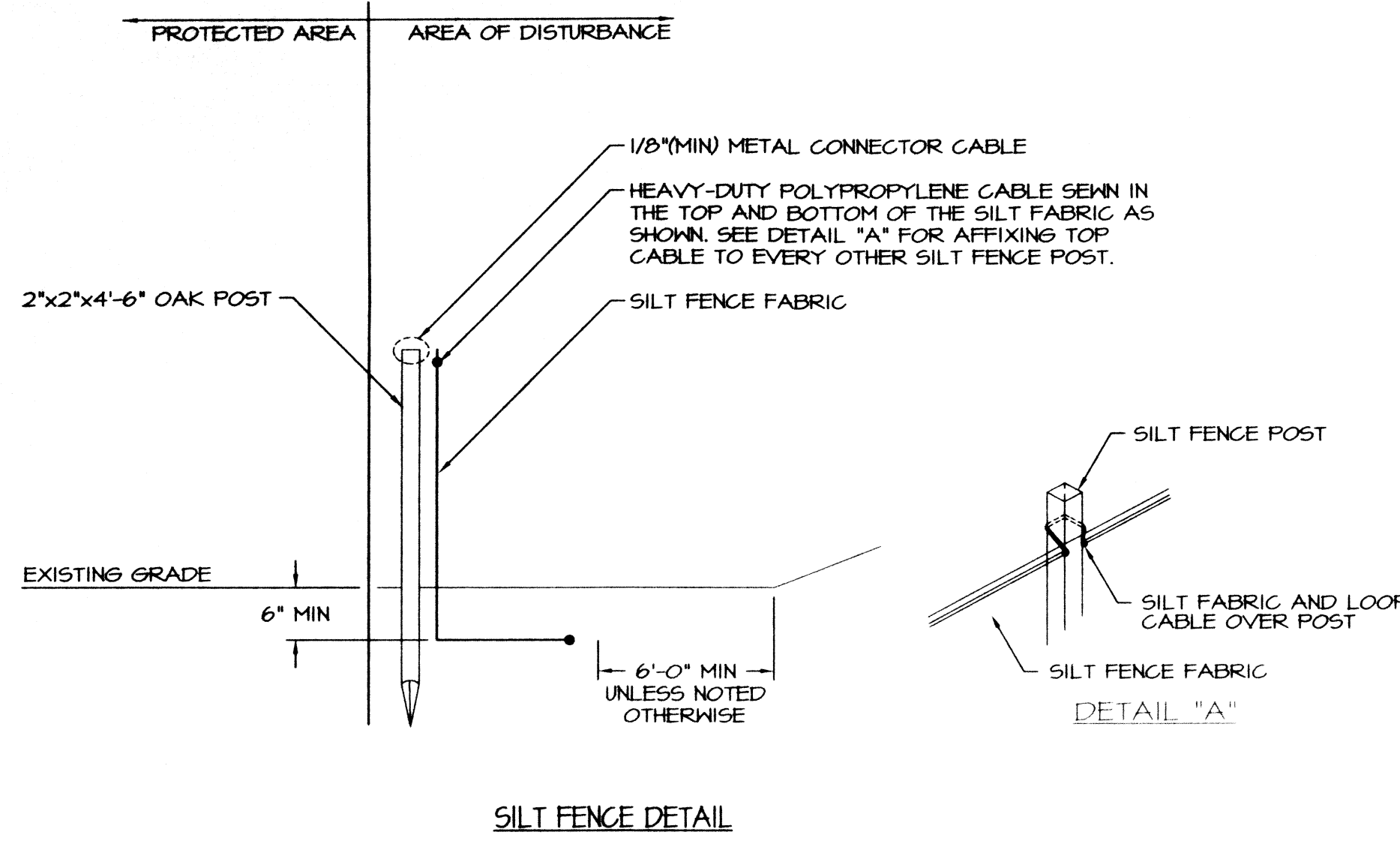
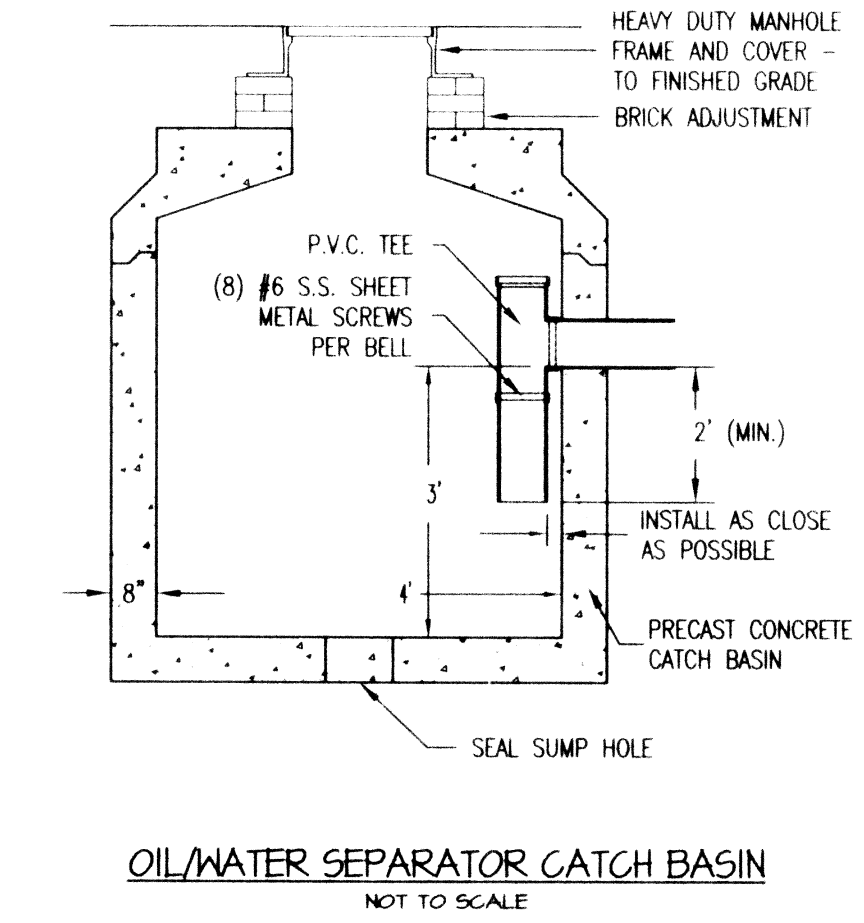
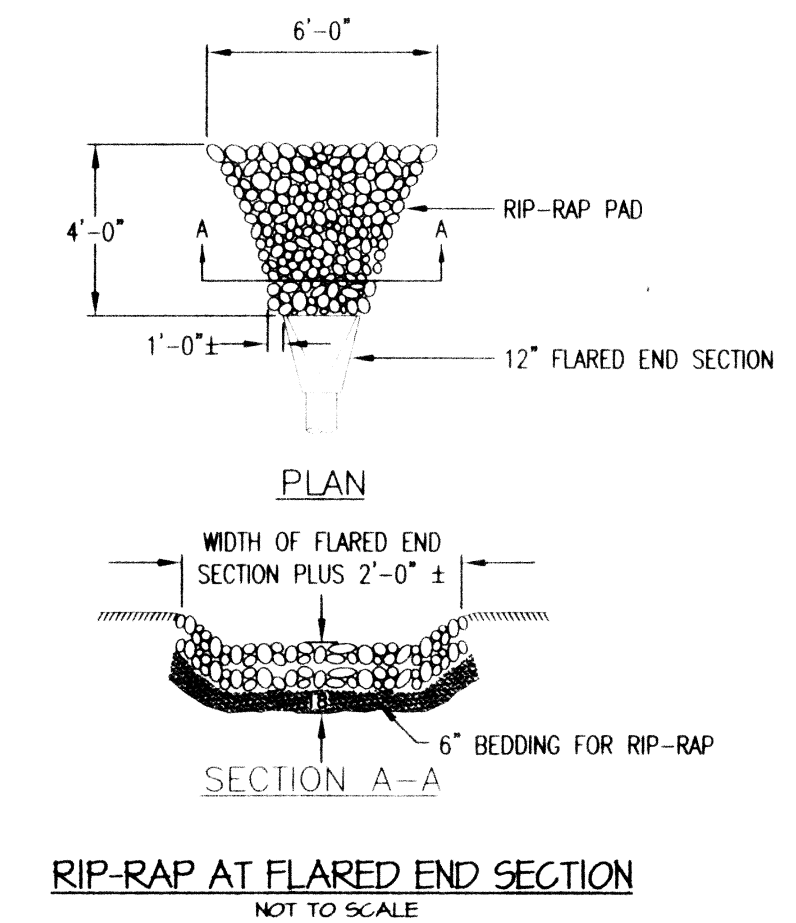


EROSION AND SEDIMENTATION CONTROL

- 1) ALL PERIMETER EROSION AND SEDIMENTATION CONTROLS MUST BE INSTALLED PRIOR TO THE COMMENCEMENT OF EARTHWORK.
- 2) ACCESSIBLE RESERVES OF HAY BALES AND STAKES ARE TO BE MAINTAINED ON SITE FOR ROUTINE MAINTENANCE AND IN THE EVENT OF UNANTICIPATED PROBLEMS REQUIRING EMERGENCY RESPONSE.
- 3) HAY BALES SHOULD BE INSTALLED IN ACCORDANCE WITH THE DETAILS PROVIDED.
- 4) NO WORK IS TO OCCUR ON THE WETLAND SIDE OF THE PERIMETER EROSION AND SEDIMENTATION CONTROLS. ALL PERIMETER CONTROLS SERVE AS THE PROJECT LIMIT OF DISTURBANCE.
- 5) NO STONES, BRUSH, CONSTRUCTION DEBRIS, LITTER, OR OTHER MATERIALS ARE TO BE DEPOSITED ON THE WETLAND SIDE OF THE EROSION AND SEDIMENTATION CONTROLS.
- 6) ALL DISTURBED SOILS NOT DESIGNATED FOR OTHER SURFACE TREATMENT ARE TO BE LOAMED AND SEEDED IMMEDIATELY FOLLOWING FINAL GRADING.
- 7) APPROPRIATE PRECAUTIONS SHOULD BE TAKEN TO PREVENT THE TRANSPORT OF SOIL OFF SITE FROM CONSTRUCTION EQUIPMENT.
- 8) ALL PERIMETER EROSION AND SEDIMENTATION CONTROLS MUST BE PROPERLY MAINTAINED AND MUST REMAIN IN PLACE UNTIL THE SOILS HAVE BEEN STABILIZED TO THE SATISFACTION OF THE ENGINEER AND THE SEEKONK CONSERVATION COMMISSION.



BENCH MARK
EDGE OF BIT,
ELEV. = 58.93



Received
APR 19 2001
Con. Comm.

PLAT 34
LOTS 51, 52, AND 53

**PROPOSED IMPROVEMENTS TO AMARAL DRIVE
PREPARED FOR
PAUL MEDEIROS
SEEKONK, MASSACHUSETTS**

CAPUTO AND WICK LTD.
1150 PAWTUCKET AVE.
RUMFORD, R.I. 02916
401-434-8880

DATE
APRIL 12, 2001

SHEET
1 OF 2