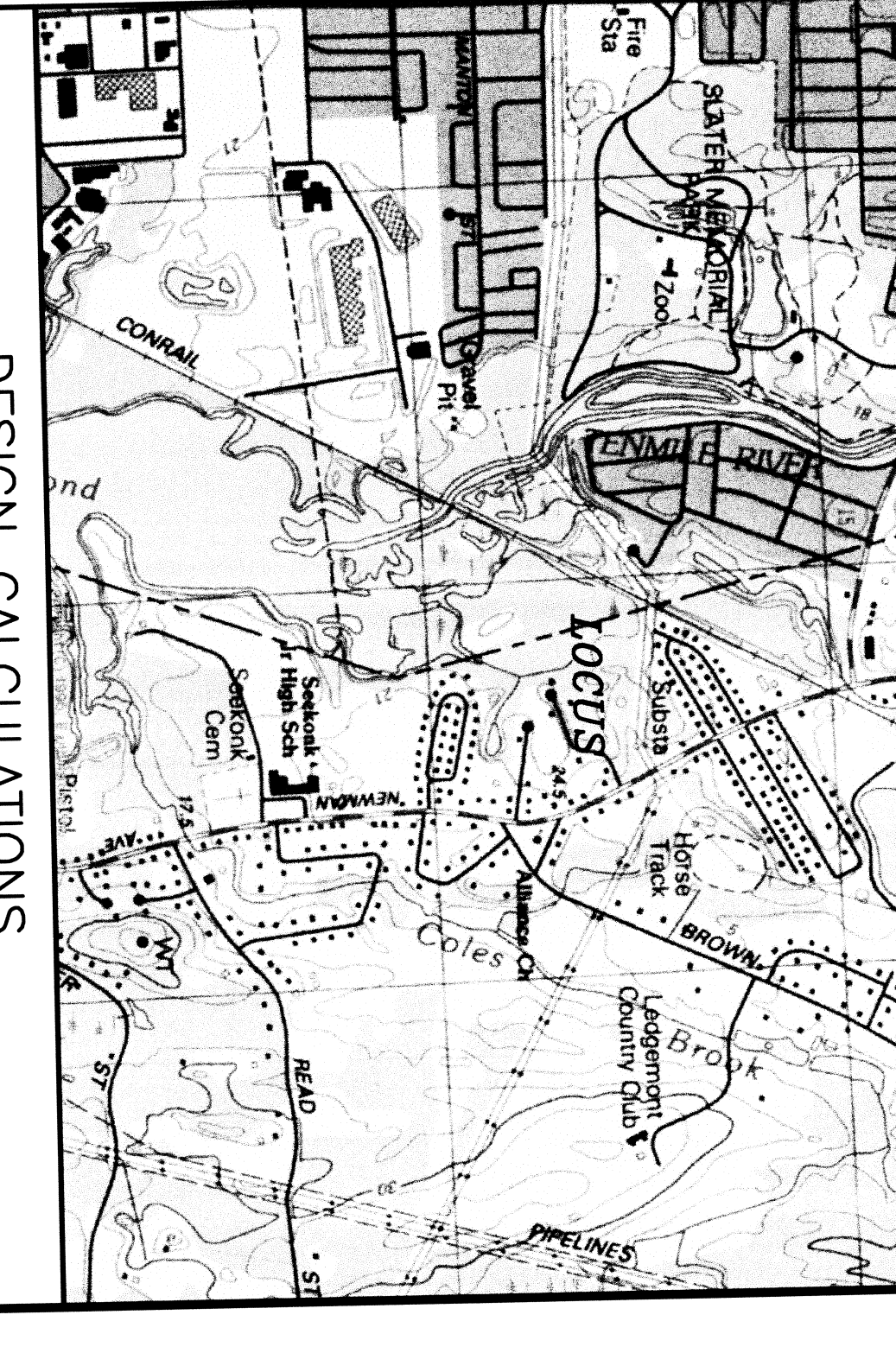
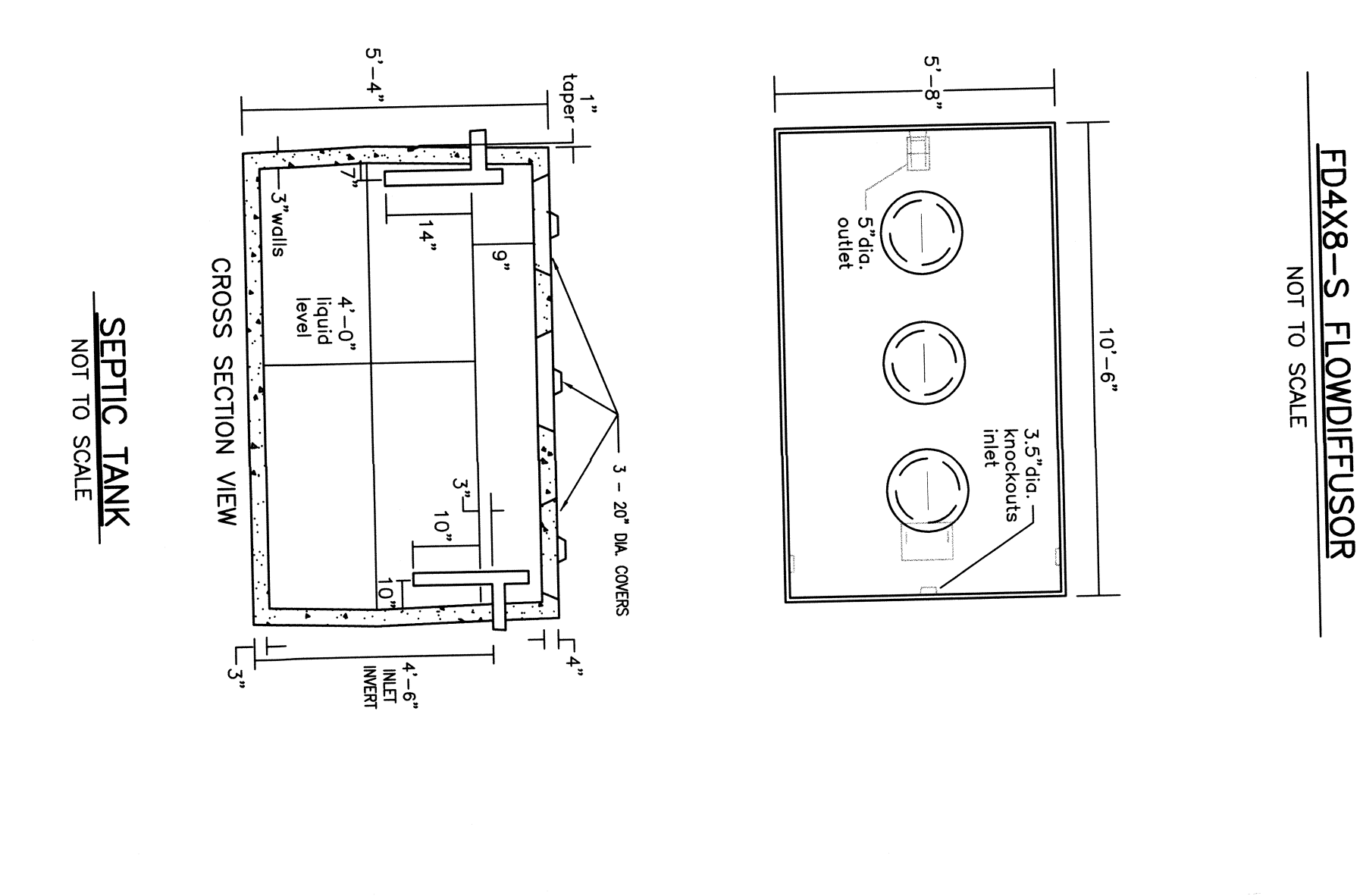
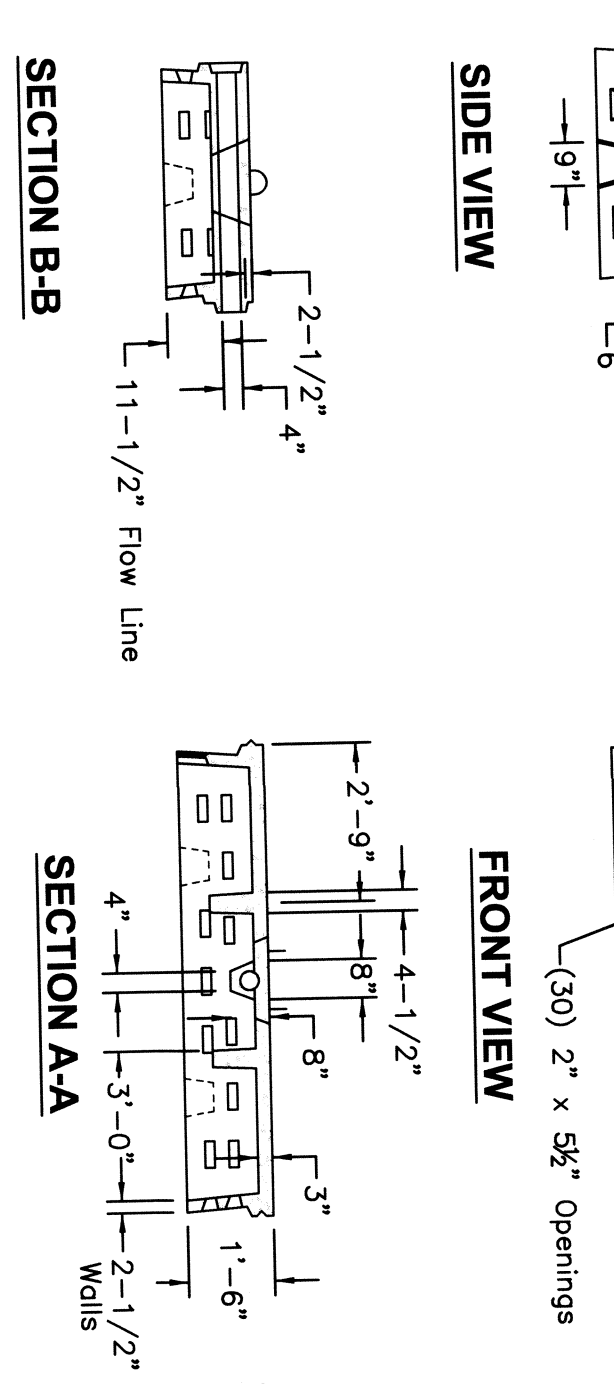
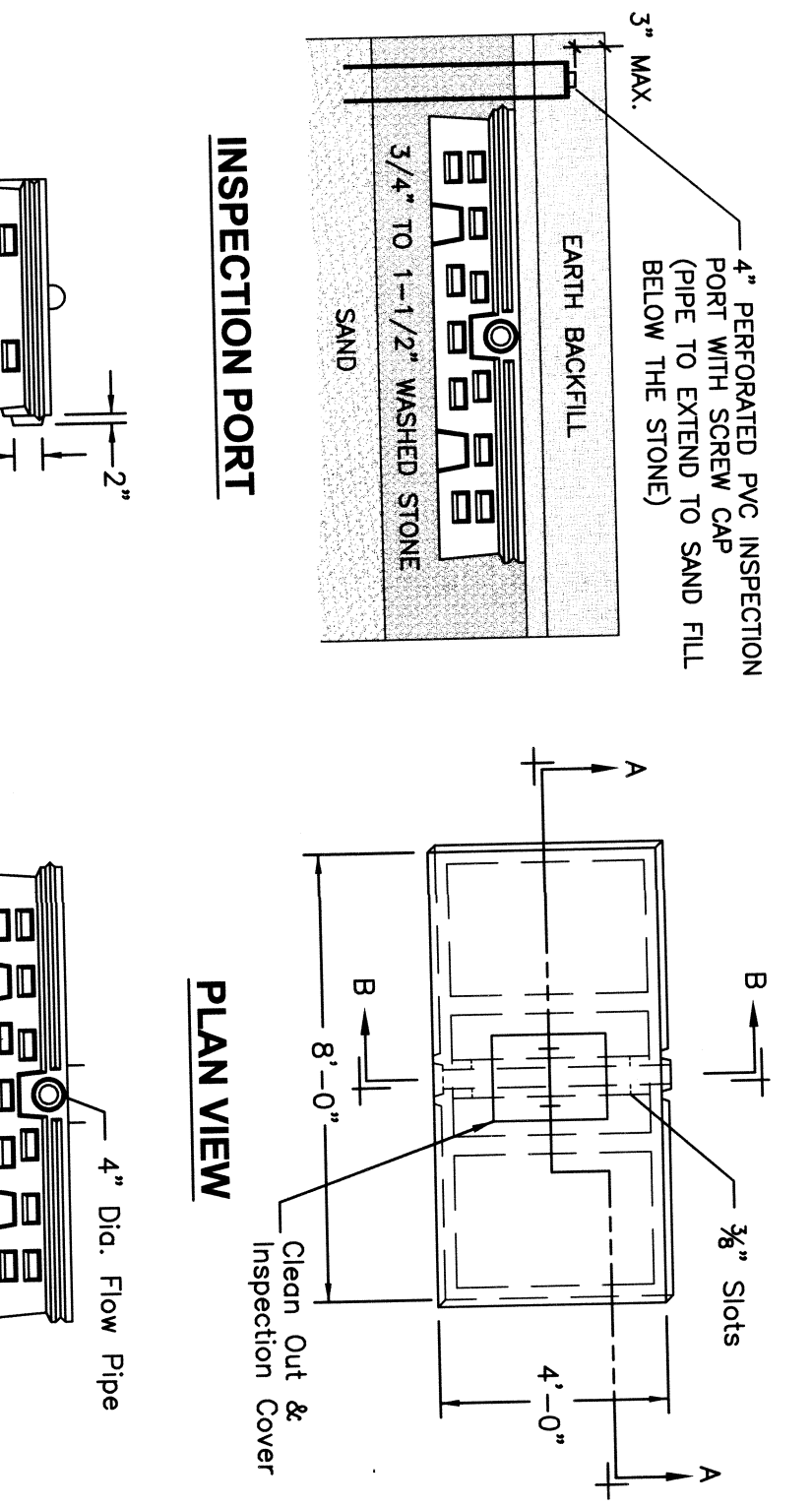
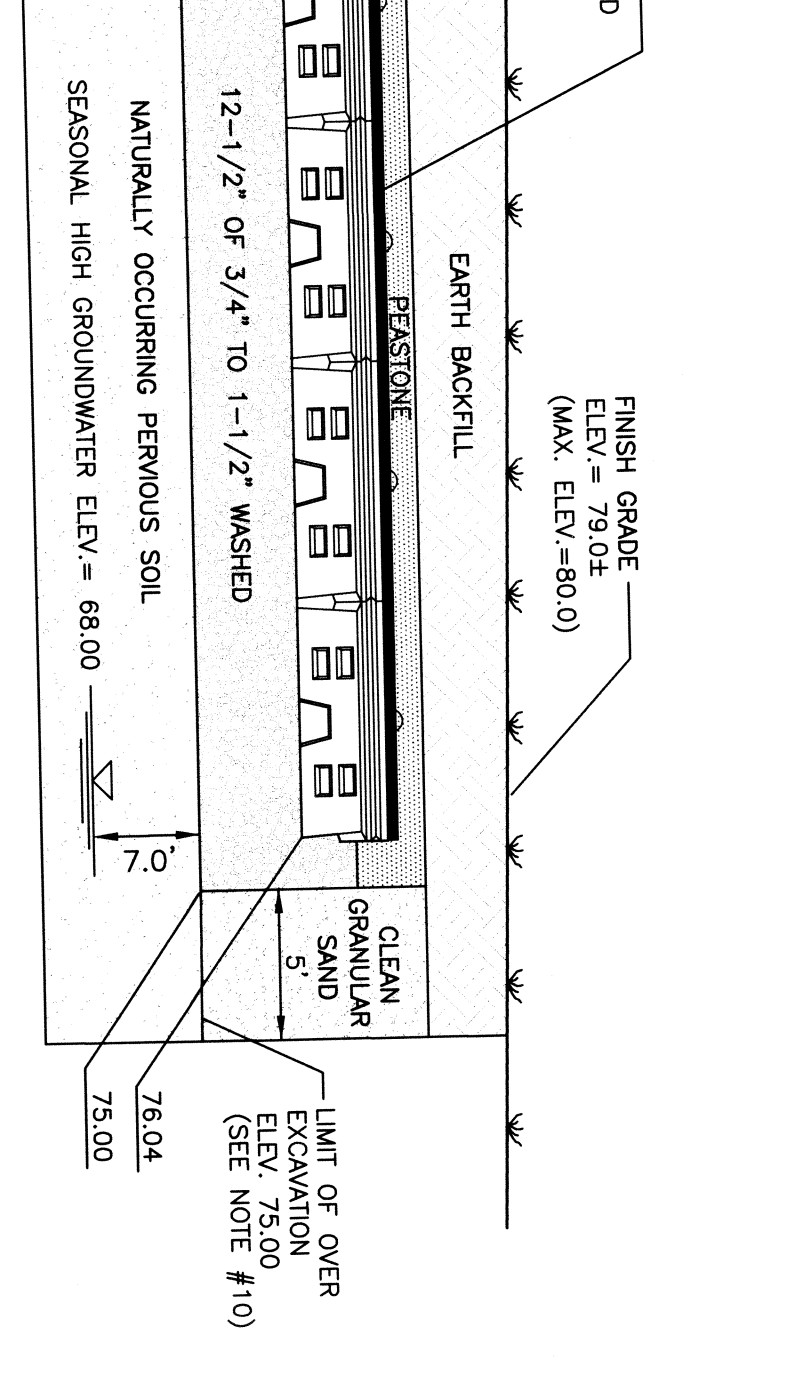
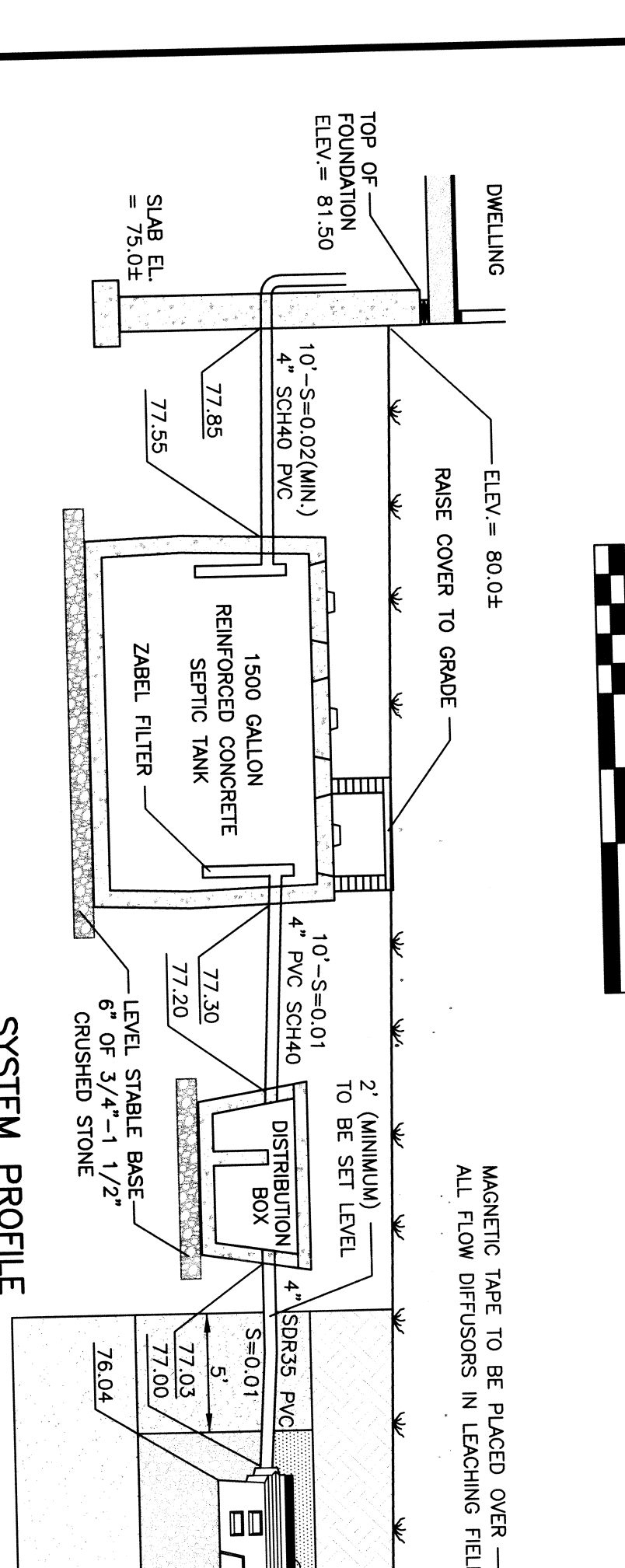


**NOTES:**

- PROPERTY LINE INFORMATION TAKEN FROM THE PLAN ENTITLED "DEFINITIVE SUBDIVISION PLAN OF TALL PINES, A CONSERVATION SUBDIVISION IN SEEKONK, MASSACHUSETTS," PREPARED BY STONE GATE BUILDERS, INC., PREPARED BY SITE, INC., DATED JUNE 25, 2012 AND RECORDED IN THE BRISTOL COUNTY NORTH REGISTRY OF DEEDS IN PLAN BOOK 485 PAGE 79.
- THERE ARE NO WETLAND RESOURCE AREAS AS DEFINED BY THE WETLANDS PROTECTION ACT (310 CMR 20.00) LOCATED ON OR WITHIN 100' OF THIS LOT OTHER THAN THOSE SHOWN HEREON.
- THIS LOT IS NOT LOCATED IN A FLOOD HAZARD AREA AS SHOWN ON THE NATIONAL FLOOD INSURANCE PROGRAM MAP ENTITLED "FLOOD INSURANCE RATE MAP, BRISTOL COUNTY, MASSACHUSETTS, PANEL 202 OF 550, MAP NUMBER 250050202F" DATED JULY 7, 2009.
- THIS LOT TO BE SERVICED BY MUNICIPAL WATER AND THE SUBSURFACE SEWAGE DISPOSAL SHOWN HEREON.
- THE POST AND RAIL FENCE SHOWN REPRESENTS A PERMANENT PHYSICAL BARRIER IN THE FIELD OF THE LIMITS OF DISTURBANCE AS DELINEATED ON THE DEFINITIVE SUBDIVISION PLAN OF "TALL PINES" APPROVED BY BOTH THE SEEKONK PLANNING BOARD AND THE SEEKONK CONSERVATION COMMISSION. NO WORK IS PERMITTED TO TAKE PLACE BEYOND THE POST AND RAIL FENCE.

**SOIL TEST DATA**

TP #	PERFORMED BY:	DATE:	PERCENT AT 48" RATE = <2 MPI NO WATER ENC.
TP - 6	DAN AGUIAR WITNESSED BY: J.R. CHENEVERT	1-11-05	NO WATER ENC.
TP - 14	DAN AGUIAR WITNESSED BY: J.R. CHENEVERT	3-14-11	NO WATER ENC.
TP - 38	DAN AGUIAR WITNESSED BY: J.R. CHENEVERT	3-14-11	NO WATER ENC.
TP - 39	DAN AGUIAR WITNESSED BY: J.R. CHENEVERT	3-14-11	NO WATER ENC.



**DESIGN CALCULATIONS**

DESIGN PERC RATE: 1 INCH IN 2 MINUTES  
 DESIGN FLOW: 3 BEDROOMS X 110 GPD/BDM = 330 GPD REQUIRED  
 DESIGN FLOW: 330 GPD / (0.74 GPD / S.F.) = 446 S.F. REQUIRED  
 LEACHING FIELD DESIGN: 330 GPD / (0.74 GPD / S.F.) = 446 S.F. REQUIRED  
 USE 4 - FD4X8-S FLOWDIFFUSORS WITH 3" OF STONE ALL AROUND.  
 THEREFORE: BOTTOM AREA = 14' X 22' = 308 S.F. PROVIDED  
 SIDEWALL AREA = (2)(2)(14') + (2)(2)(22') = 144 S.F. PROVIDED  
 TOTAL LEACHING AREA = 452 S.F. PROVIDED  
 THEREFORE, DESIGN FLOW PROVIDED = (452 S.F.)(0.74 GPD / S.F.) = 334 GPD

**ZONING REQUIREMENTS**

SECTION 25 LOT REQUIREMENTS:  
 MIN. LOT AREA = 15,000 S.F.  
 MIN. LOT WIDTH = N/A  
 MIN. LOT FRONTAGE = 50'  
 SETBACKS: FRONT - 20'  
 REAR - 10'

**CONTRACTOR NOTES**

- CONTRACTOR SHALL NOTIFY DIG SAFE AT LEAST 72 HOURS PRIOR TO THE START OF CONSTRUCTION.
- CONTRACTOR SHALL VERIFY THE LOCATION AND ELEVATION OF ALL UTILITIES PRIOR TO THE START OF CONSTRUCTION. THIS PLAN IS BASED ON FIELD AND RECORD INFORMATION AND, THEREFORE, MAY NOT COMPLETELY DEPICT ALL EXISTING UTILITIES.
- CONTRACTOR SHALL NOTIFY THE OWNER AND ENGINEER IMMEDIATELY IF FIELD CONDITIONS ARE FOUND TO DIFFER WITH THESE DRAWINGS.
- THE CONTRACTOR SHALL PROVIDE ADEQUATE PROTECTION OF THE ADJACENT AREA AND UTILITIES IN THE CONSTRUCTION OF THIS SITE. REPAIR OF DAMAGED PROPERTY SHALL BE THE RESPONSIBILITY OF THE CONTRACTOR AT NO COST TO THE OWNER.

**GENERAL NOTES**

- THIS SYSTEM SHALL BE INSPECTED IN ACCORDANCE WITH THE TOWN OF SEEKONK BOARD OF HEALTH REGULATIONS.
- DOUBLE WASHED CRUSHED STONE SHALL BE FREE OF ALL DIRT, DUST AND FINES.
- ALL ELEVATIONS ARE BASED ON SUBDIVISION DATUM.
- HEAVY EQUIPMENT SHALL NOT BE ALLOWED TO OPERATE OVER THE LIMITS OF THE OF THE SEWAGE DISPOSAL SYSTEM DURING THE COURSE OF CONSTRUCTION.
- NO FIELD MODIFICATIONS TO THE SEWAGE DISPOSAL SYSTEM SHALL BE MADE WITHOUT PRIOR WRITTEN APPROVAL OF THE ENGINEER AND THE LOCAL BOARD OF HEALTH.
- UNLESS OTHERWISE NOTED ALL SYSTEM COMPONENTS SHALL BE INSTALLED IN ACCORDANCE WITH TITLE V OF THE STATE ENVIRONMENTAL CODE AND ANY APPLICABLE LOCAL REGULATIONS.
- SEPTIC TANK, DISTRIBUTION BOX, ETC. SHALL BE MANUFACTURED BY A ROTONDO & SONS OR APPROVED EQUAL.
- GROUT TO BE USED AT ALL POINTS WHERE PIPES ENTER OR LEAVE ALL CONCRETE STRUCTURES IN ORDER TO PROVIDE A WATERTIGHT SEAL.
- ALL SHIP-LAP JOINTS IN THE SEPTIC TANK SHALL BE SEALED WITH NEOPRENE GASKETS OR ASPHALT CEMENT.
- EXCAVATE ALL UNSUITABLE MATERIAL IN THE LEACHING AREA AND BACKFILL WITH CLEAN GRANULAR SAND AS REQUIRED BY TITLE V, MASSACHUSETTS ENVIRONMENTAL CODE.
- THIS SYSTEM IS NOT DESIGNED FOR A GARAGE DISPOSAL UNIT.

**SUBSURFACE SEWAGE DISPOSAL SYSTEM**

CLIENT: STONE GATE BUILDERS, LLC  
 LOCATION: ASSESSORS MAP 25 LOT 319  
 17 TALL PINES LANE  
 SEEKONK, MASSACHUSETTS 02771

ENGINEERING FIRM: **STTEC, Inc.**  
 449 Founce Corner Road  
 Dornmouth, MA 02747  
 Tel. - (508) 998-2125  
 Fax - (508) 998-7554

DATE: APRIL 9, 2013  
 REVISIONS:  
 CONTACT PERSON: JEFFREY TALLMAN  
 ACAD NO.: 10\_4697\_STONE\_GATE\_LOT\_8\_SSOS