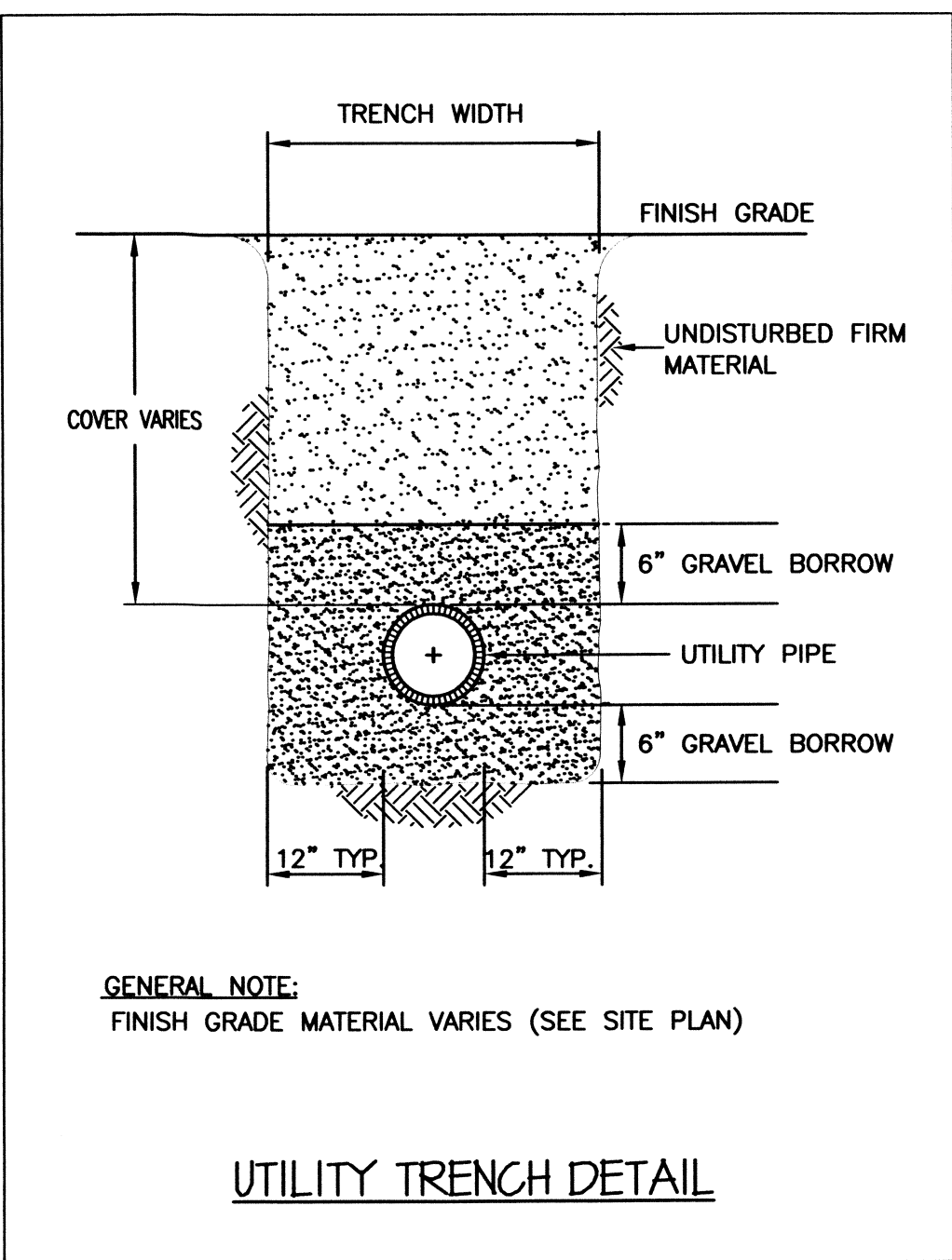
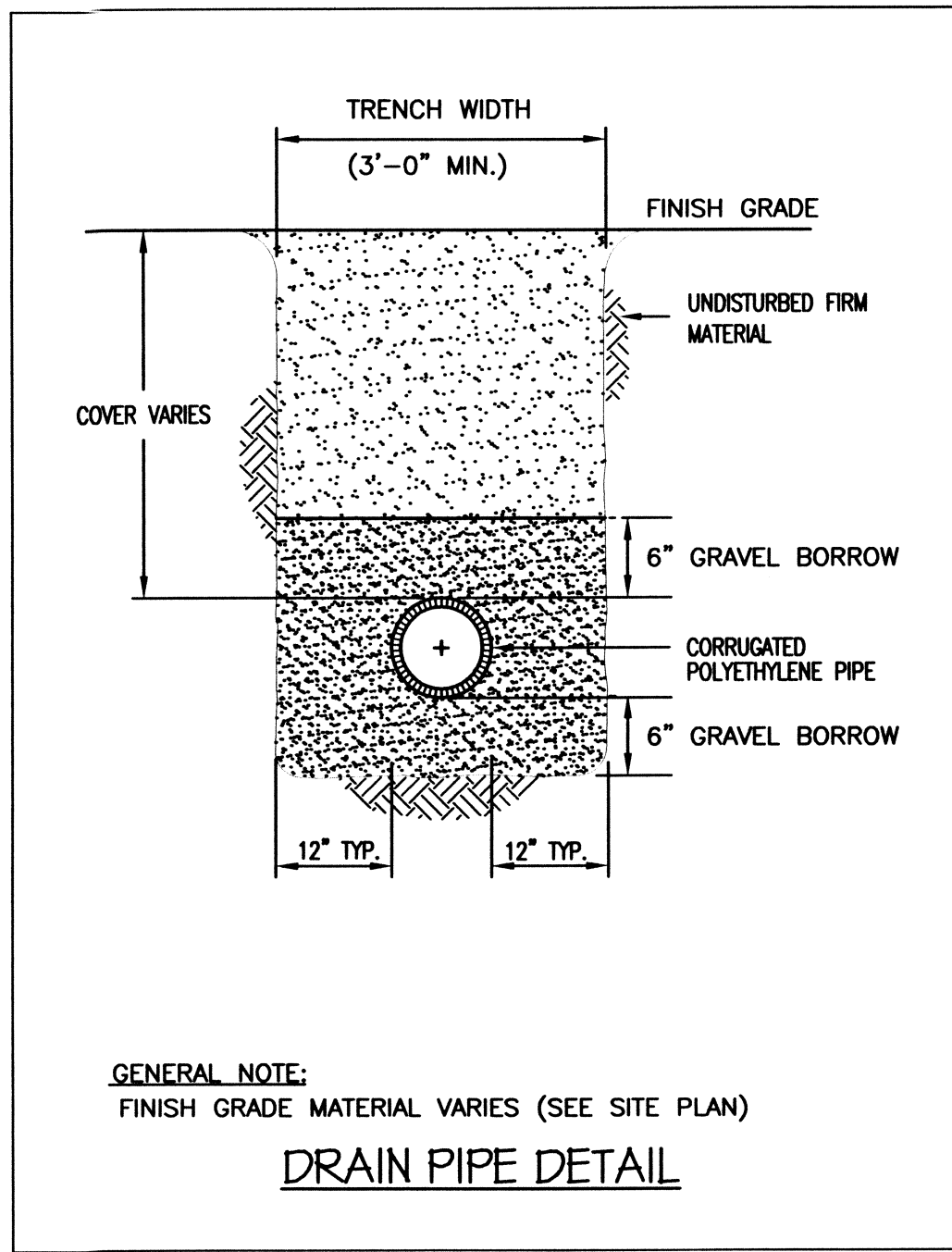


SQUARE CATCH BASIN FRAME & GRATE COVER  
USE LeBARON CAT. NO. LF244 OR EQUAL



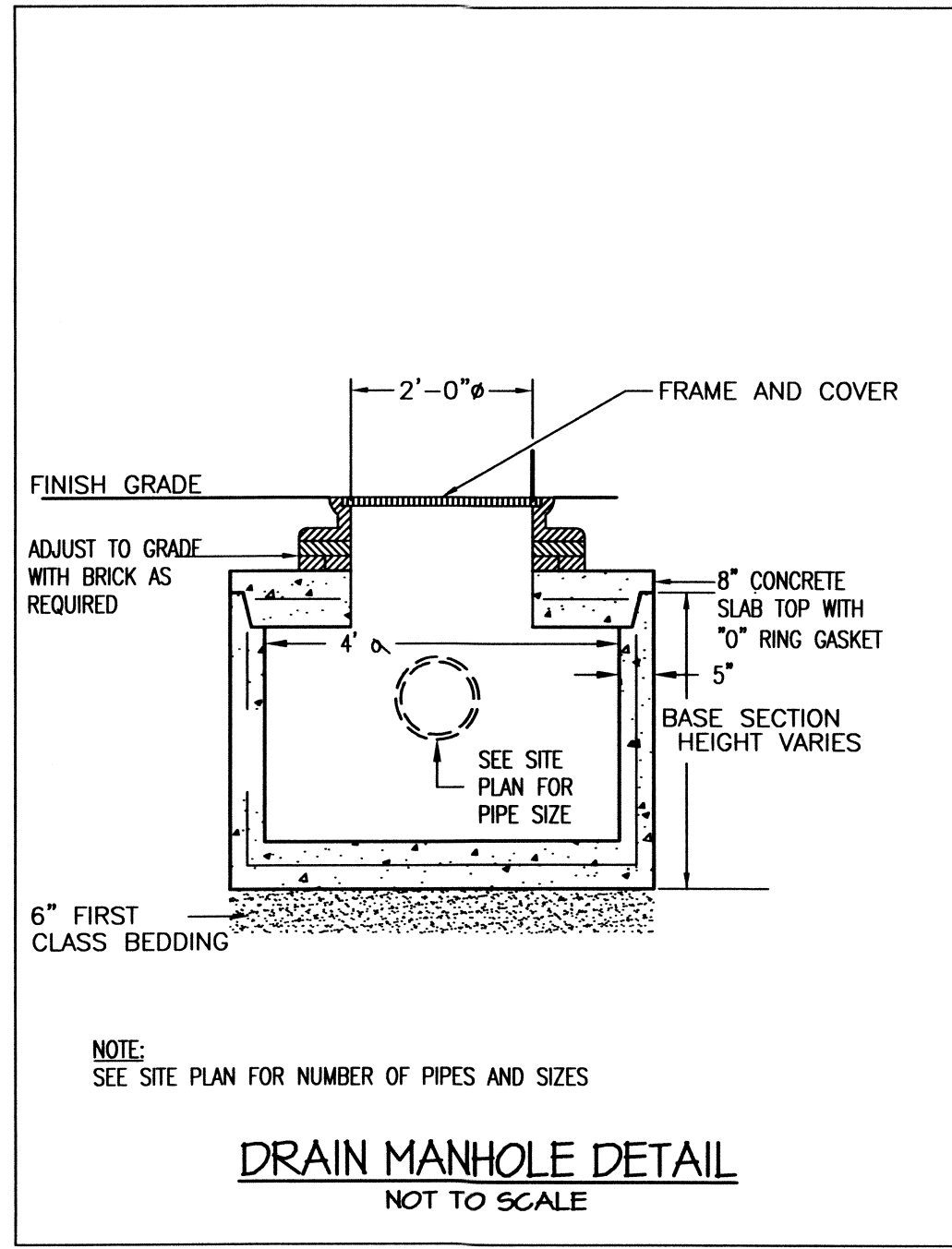
GENERAL NOTE:  
FINISH GRADE MATERIAL VARIES (SEE SITE PLAN)

UTILITY TRENCH DETAIL



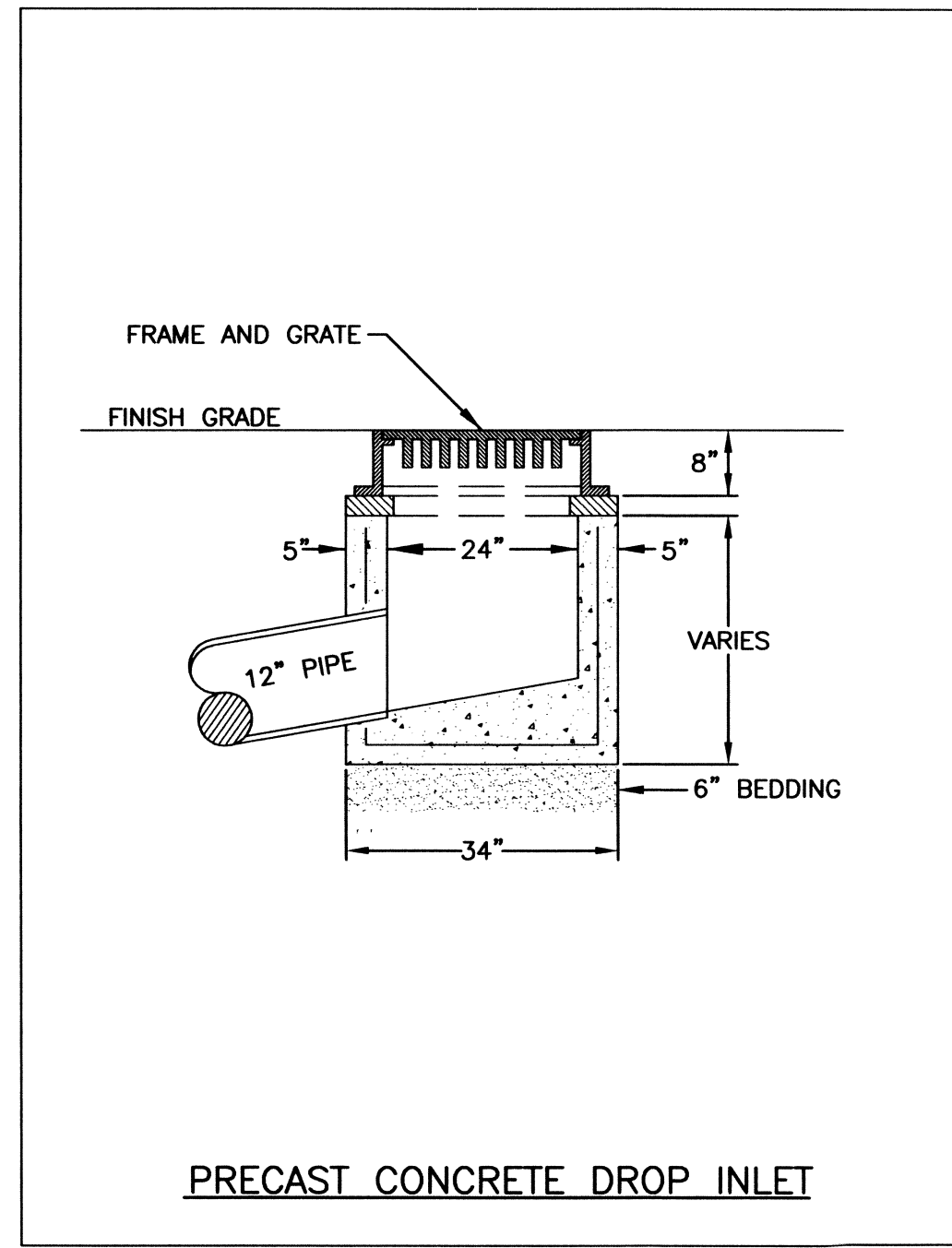
GENERAL NOTE:  
FINISH GRADE MATERIAL VARIES (SEE SITE PLAN)

DRAIN PIPE DETAIL

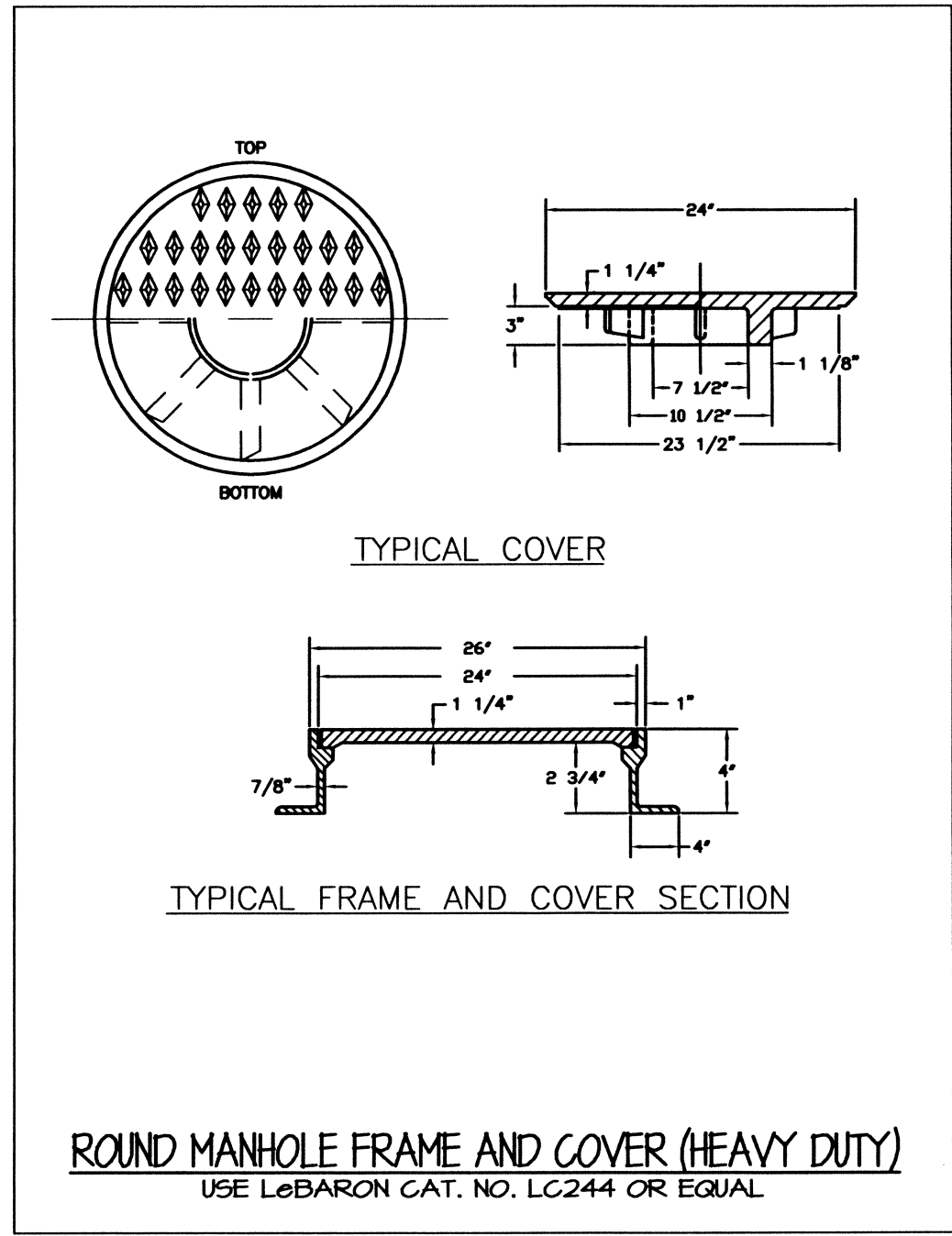


NOTE:  
SEE SITE PLAN FOR NUMBER OF PIPES AND SIZES

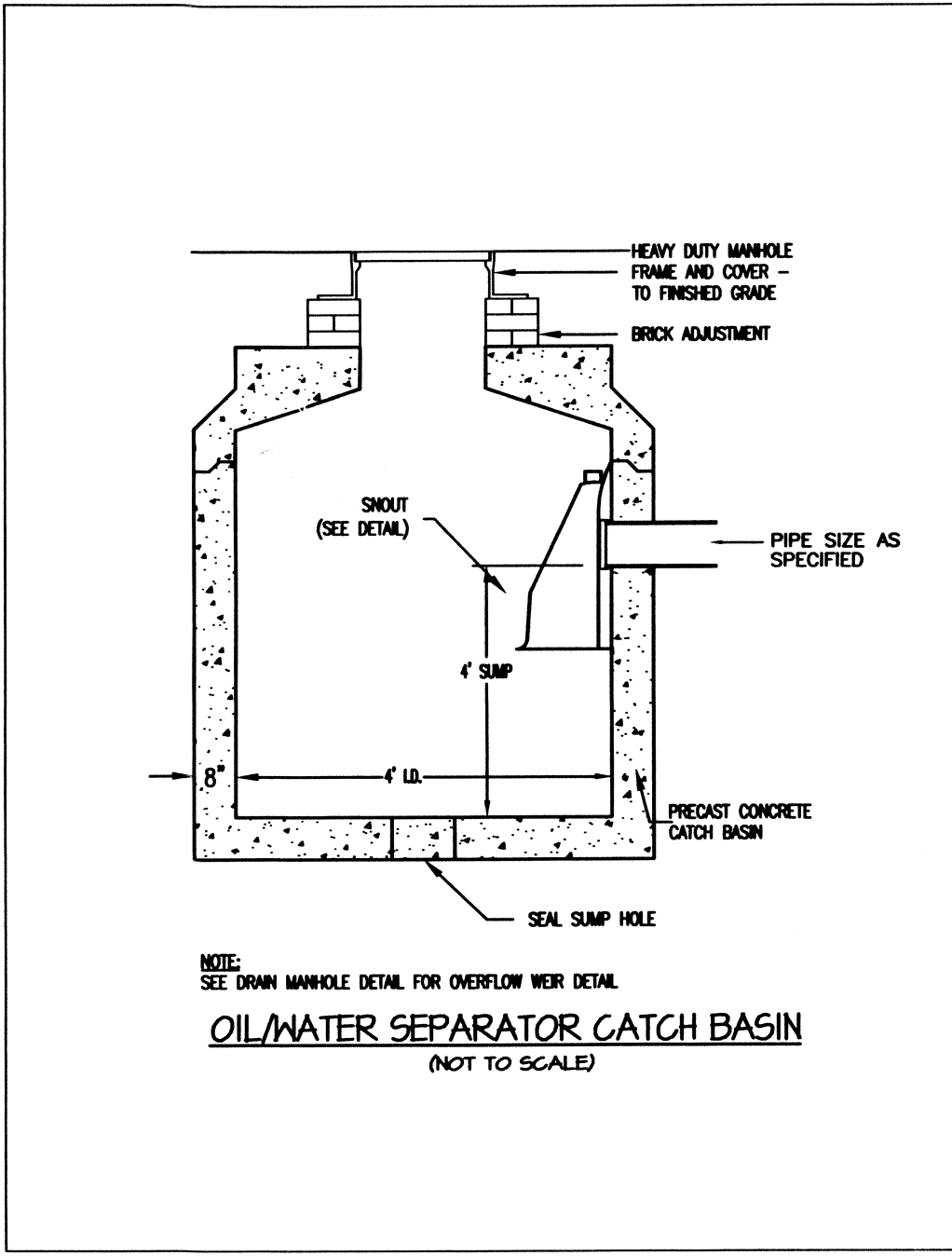
DRAIN MANHOLE DETAIL  
NOT TO SCALE



PRECAST CONCRETE DROP INLET

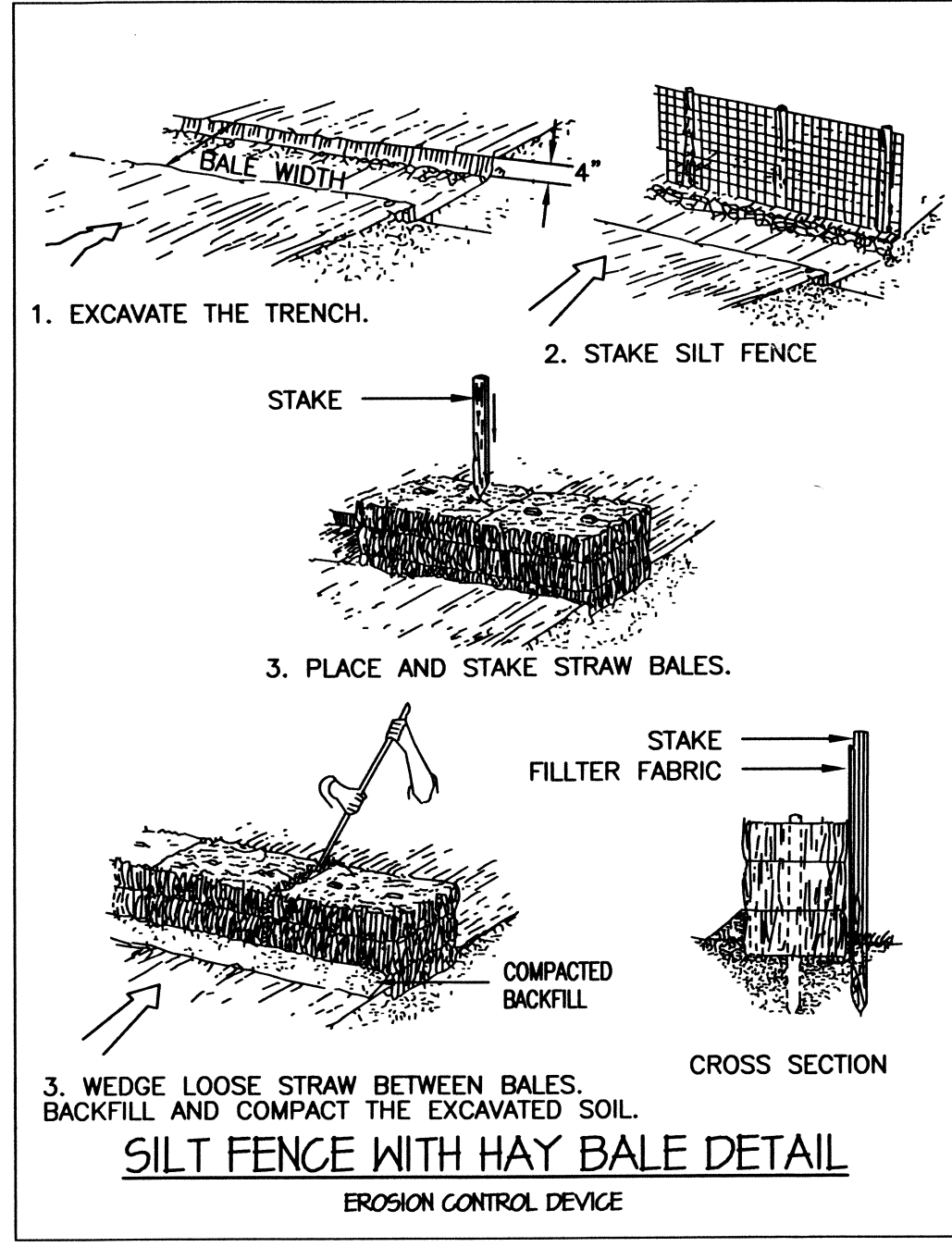


ROUND MANHOLE FRAME AND COVER (HEAVY DUTY)  
USE LeBARON CAT. NO. LC244 OR EQUAL

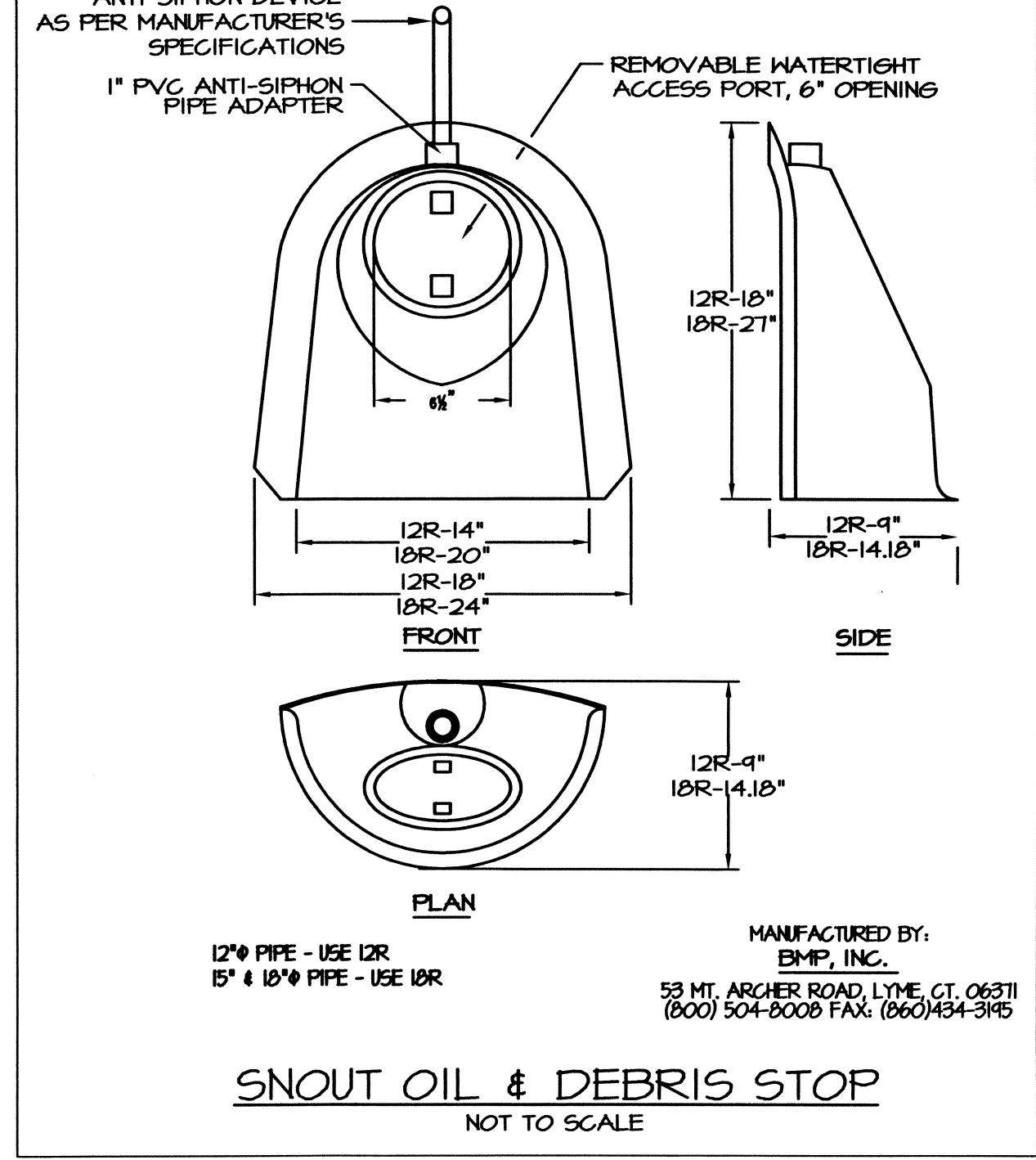


NOTE:  
SEE DRAIN MANHOLE DETAIL FOR OVERFLOW WEIR DETAIL

OIL/WATER SEPARATOR CATCH BASIN  
(NOT TO SCALE)



SILT FENCE WITH HAY BALE DETAIL  
EROSION CONTROL DEVICE



ANTI-SIPHON DEVICE  
AS PER MANUFACTURER'S  
SPECIFICATIONS  
1" PVC ANTI-SIPHON  
PIPE ADAPTER

SNOUT OIL & DEBRIS STOP  
NOT TO SCALE

DEEP OBSERVATION HOLE "501" LOG

DEPTH	HORIZON	TEXTURE	COLOR	NOTATIONS	OTHER
0'-0" - 1'-0"	CL	CB	SC	CS	CC
1'-0" - 2'-0"	CL	CB	SC	CS	CC
2'-0" - 3'-0"	CL	CB	SC	CS	CC

DEEP OBSERVATION HOLE "502" LOG

DEPTH	HORIZON	TEXTURE	COLOR	NOTATIONS	OTHER
0'-0" - 1'-0"	CL	CB	SC	CS	CC
1'-0" - 2'-0"	CL	CB	SC	CS	CC
2'-0" - 3'-0"	CL	CB	SC	CS	CC

DEEP OBSERVATION HOLE "503" LOG

DEPTH	HORIZON	TEXTURE	COLOR	NOTATIONS	OTHER
0'-0" - 1'-0"	CL	CB	SC	CS	CC
1'-0" - 2'-0"	CL	CB	SC	CS	CC
2'-0" - 3'-0"	CL	CB	SC	CS	CC

DEEP OBSERVATION HOLE "504" LOG

DEPTH	HORIZON	TEXTURE	COLOR	NOTATIONS	OTHER
0'-0" - 1'-0"	CL	CB	SC	CS	CC
1'-0" - 2'-0"	CL	CB	SC	CS	CC
2'-0" - 3'-0"	CL	CB	SC	CS	CC

DEEP OBSERVATION HOLE "505" LOG

DEPTH	HORIZON	TEXTURE	COLOR	NOTATIONS	OTHER
0'-0" - 1'-0"	CL	CB	SC	CS	CC
1'-0" - 2'-0"	CL	CB	SC	CS	CC
2'-0" - 3'-0"	CL	CB	SC	CS	CC

DEEP OBSERVATION HOLE "506" LOG

DEPTH	HORIZON	TEXTURE	COLOR	NOTATIONS	OTHER
0'-0" - 1'-0"	CL	CB	SC	CS	CC
1'-0" - 2'-0"	CL	CB	SC	CS	CC
2'-0" - 3'-0"	CL	CB	SC	CS	CC

DEEP OBSERVATION HOLE "504" LOG

DEPTH	HORIZON	TEXTURE	COLOR	NOTATIONS	OTHER
0'-0" - 1'-0"	CL	CB	SC	CS	CC
1'-0" - 2'-0"	CL	CB	SC	CS	CC
2'-0" - 3'-0"	CL	CB	SC	CS	CC

DEEP OBSERVATION HOLE "511" LOG

DEPTH	HORIZON	TEXTURE	COLOR	NOTATIONS	OTHER
0'-0" - 1'-0"	CL	CB	SC	CS	CC
1'-0" - 2'-0"	CL	CB	SC	CS	CC
2'-0" - 3'-0"	CL	CB	SC	CS	CC

DEEP OBSERVATION HOLE "512" LOG

DEPTH	HORIZON	TEXTURE	COLOR	NOTATIONS	OTHER
0'-0" - 1'-0"	CL	CB	SC	CS	CC
1'-0" - 2'-0"	CL	CB	SC	CS	CC
2'-0" - 3'-0"	CL	CB	SC	CS	CC

DEEP OBSERVATION HOLE "513" LOG

DEPTH	HORIZON	TEXTURE	COLOR	NOTATIONS	OTHER
0'-0" - 1'-0"	CL	CB	SC	CS	CC
1'-0" - 2'-0"	CL	CB	SC	CS	CC
2'-0" - 3'-0"	CL	CB	SC	CS	CC

DEEP OBSERVATION HOLE "514" LOG

DEPTH	HORIZON	TEXTURE	COLOR	NOTATIONS	OTHER
0'-0" - 1'-0"	CL	CB	SC	CS	CC
1'-0" - 2'-0"	CL	CB	SC	CS	CC
2'-0" - 3'-0"	CL	CB	SC	CS	CC

DEEP OBSERVATION HOLE "516" LOG

DEPTH	HORIZON	TEXTURE	COLOR	NOTATIONS	OTHER
0'-0" - 1'-0"	CL	CB	SC	CS	CC
1'-0" - 2'-0"	CL	CB	SC	CS	CC
2'-0" - 3'-0"	CL	CB	SC	CS	CC

DEEP OBSERVATION HOLE "507" LOG

DEPTH	HORIZON	TEXTURE	COLOR	NOTATIONS	OTHER
0'-0" - 1'-0"	CL	CB	SC	CS	CC
1'-0" - 2'-0"	CL	CB	SC	CS	CC
2'-0" - 3'-0"	CL	CB	SC	CS	CC

DEEP OBSERVATION HOLE "508" LOG

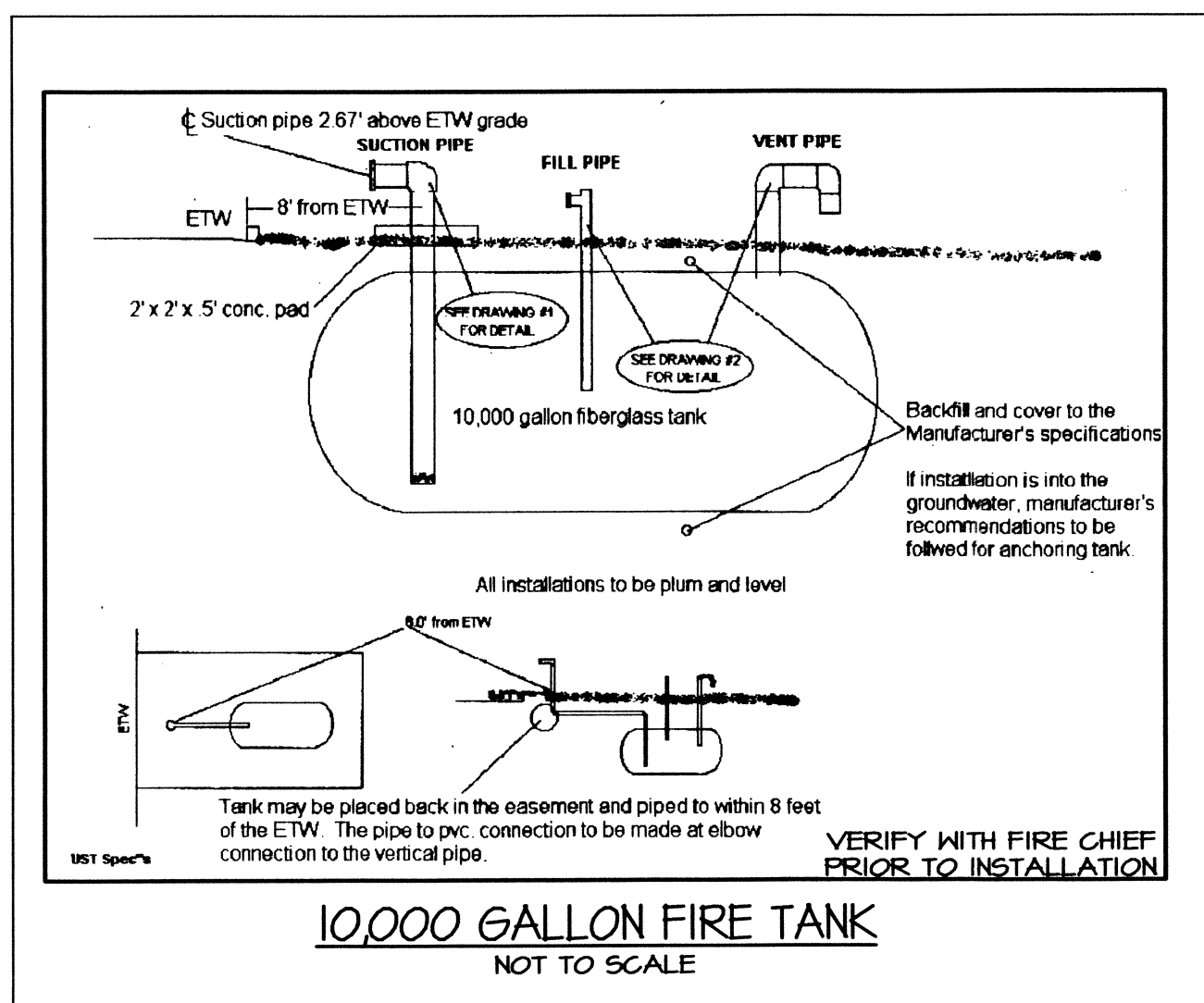
DEPTH	HORIZON	TEXTURE	COLOR	NOTATIONS	OTHER
0'-0" - 1'-0"	CL	CB	SC	CS	CC
1'-0" - 2'-0"	CL	CB	SC	CS	CC
2'-0" - 3'-0"	CL	CB	SC	CS	CC

DEEP OBSERVATION HOLE "517" LOG

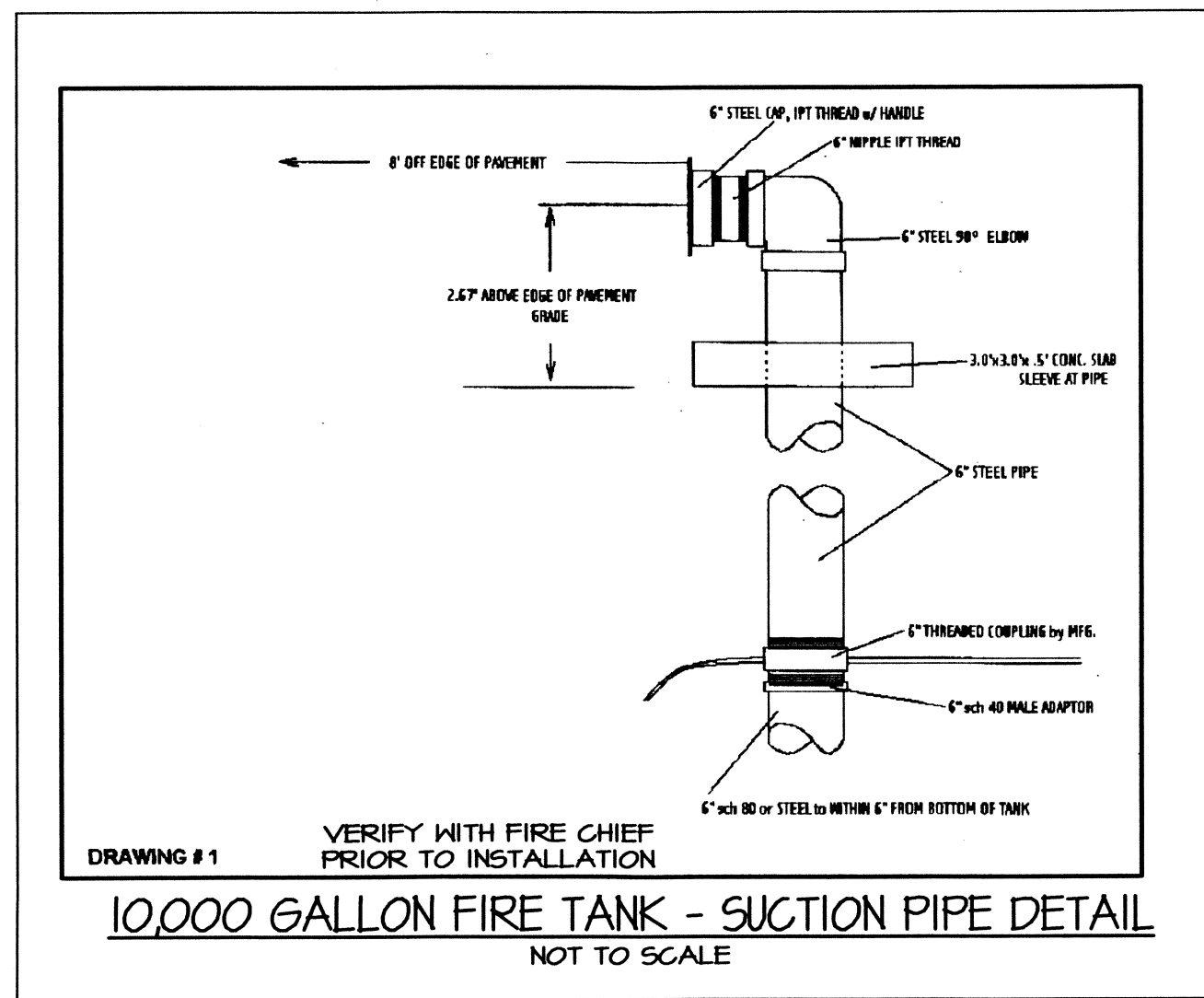
DEPTH	HORIZON	TEXTURE	COLOR	NOTATIONS	OTHER
0'-0" - 1'-0"	CL	CB	SC	CS	CC
1'-0" - 2'-0"	CL	CB	SC	CS	CC
2'-0" - 3'-0"	CL	CB	SC	CS	CC

DEEP OBSERVATION HOLE "518" LOG

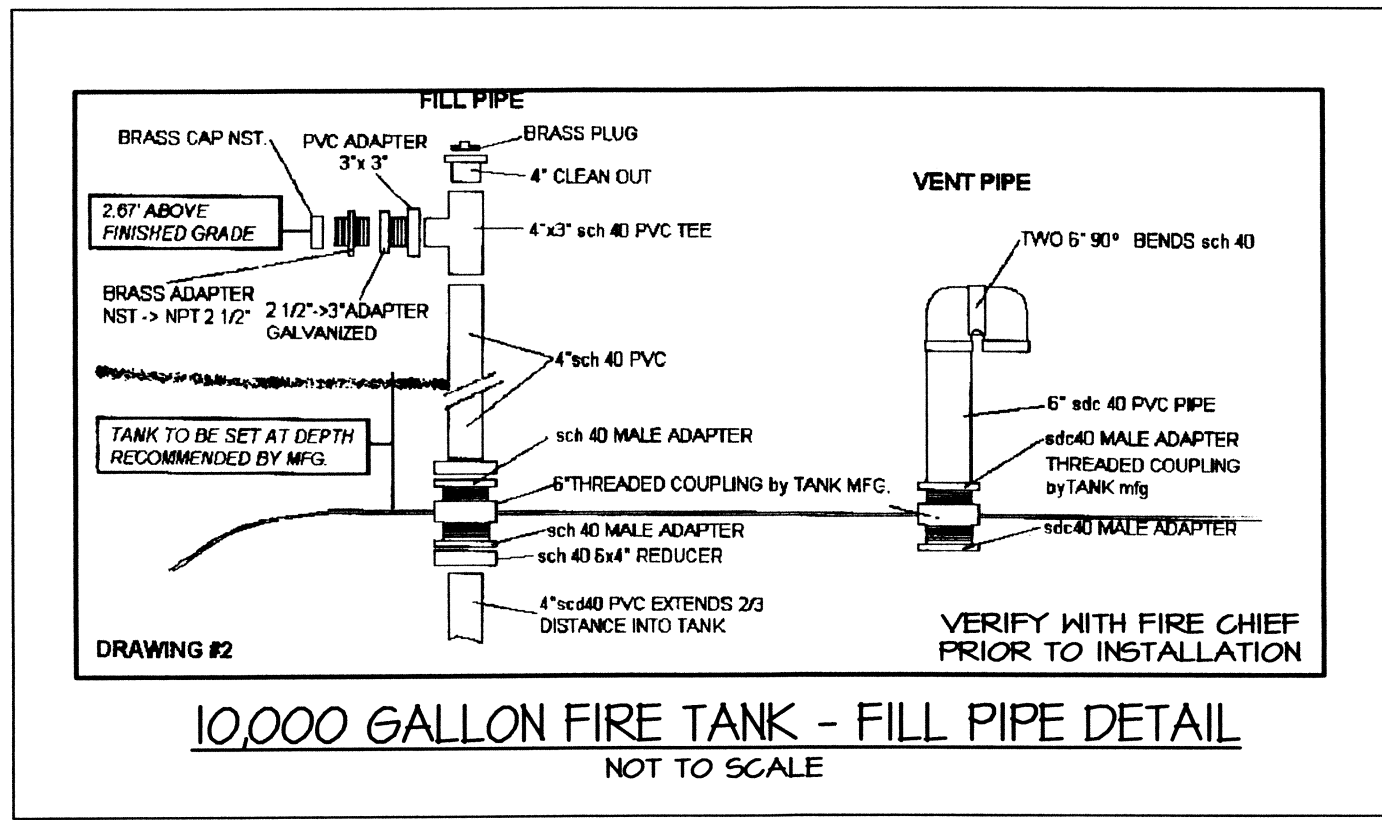
DEPTH	HORIZON	TEXTURE	COLOR	NOTATIONS	OTHER
0'-0" - 1'-0"	CL	CB	SC	CS	CC
1'-0" - 2'-0"	CL	CB	SC	CS	CC
2'-0" - 3'-0"	CL	CB	SC	CS	CC



10,000 GALLON FIRE TANK  
NOT TO SCALE

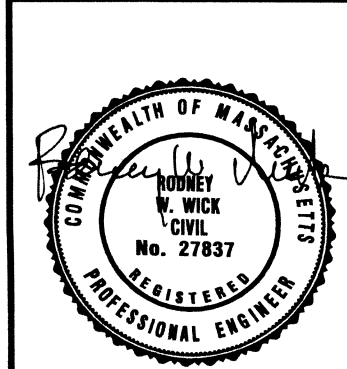


10,000 GALLON FIRE TANK - SUCTION PIPE DETAIL  
NOT TO SCALE



10,000 GALLON FIRE TANK - FILL PIPE DETAIL  
NOT TO SCALE

DETAILS NO. 1



DEFINITIVE SUBDIVISION  
THREE LEDGES  
BELONGING TO  
H. CHARLES TAPALIAN  
SEEKONK, MASSACHUSETTS

CAPUTON AND WICK LTD. DATE  
1150 PAWTUCKET AVE. FEBRUARY 22, 2005  
RUMFORD, R.I. 02916 REV. MAY 24, 2005  
401-434-8880 SHEET  
10 OF 11