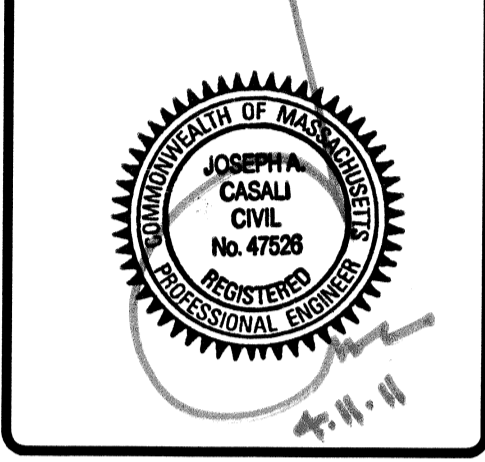
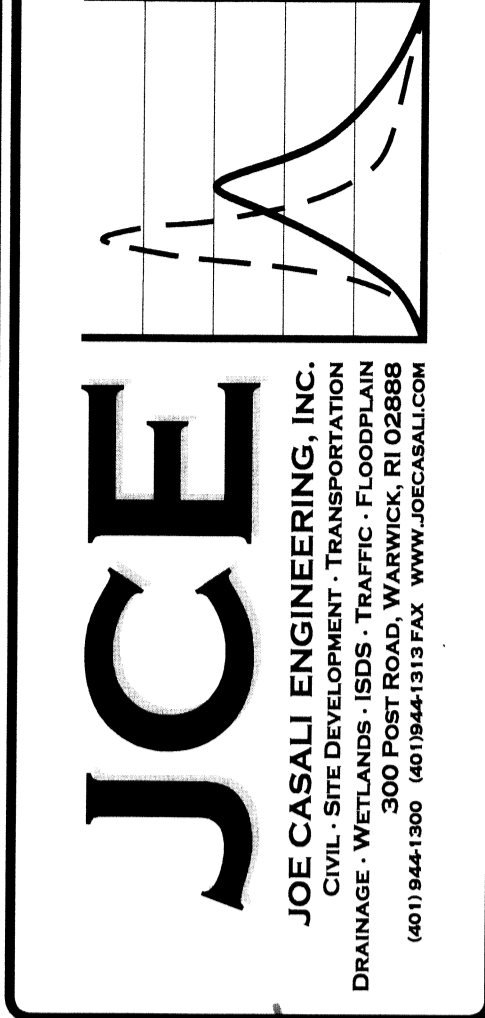
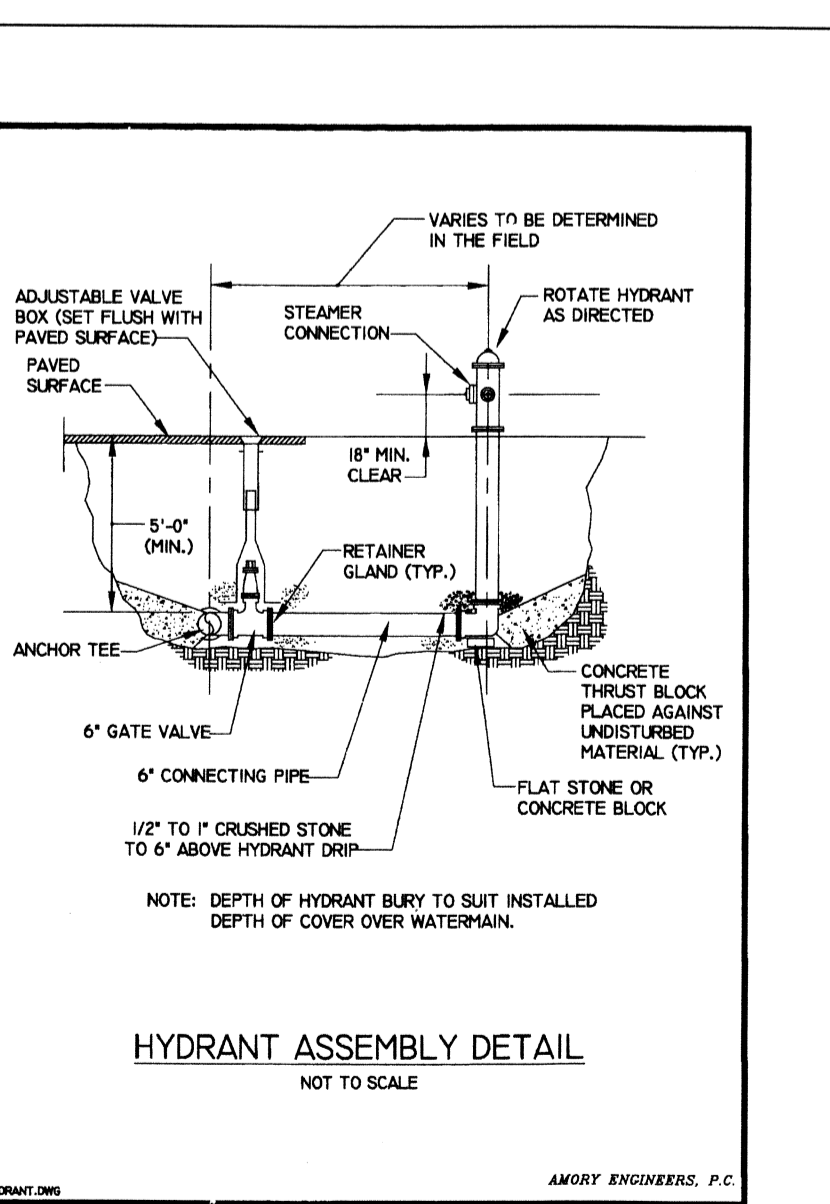
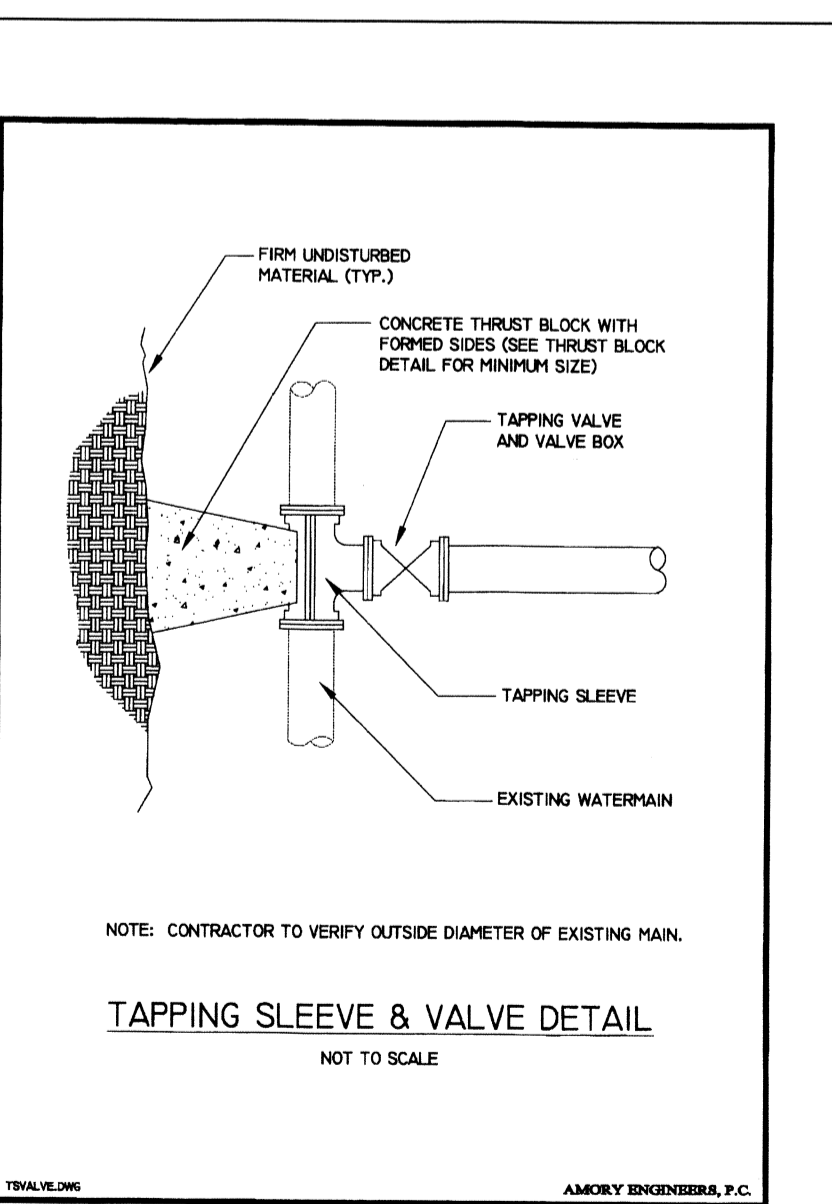
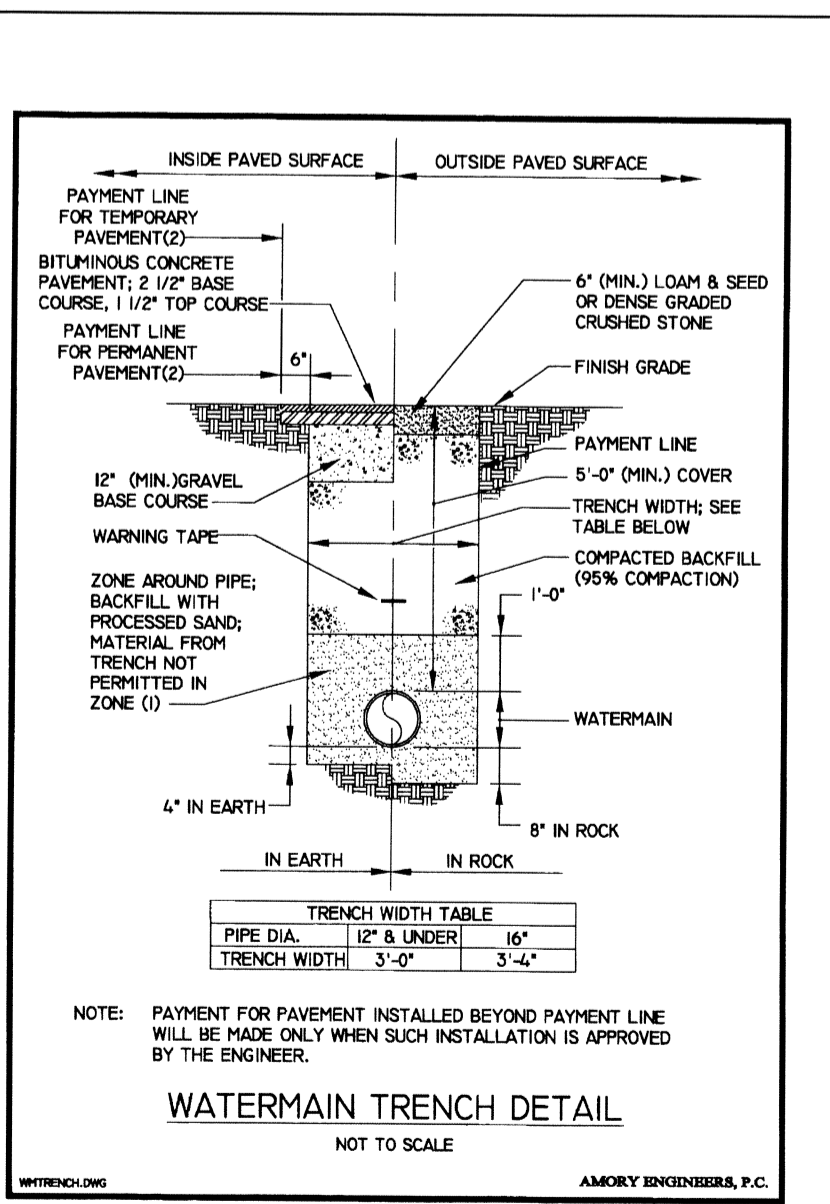
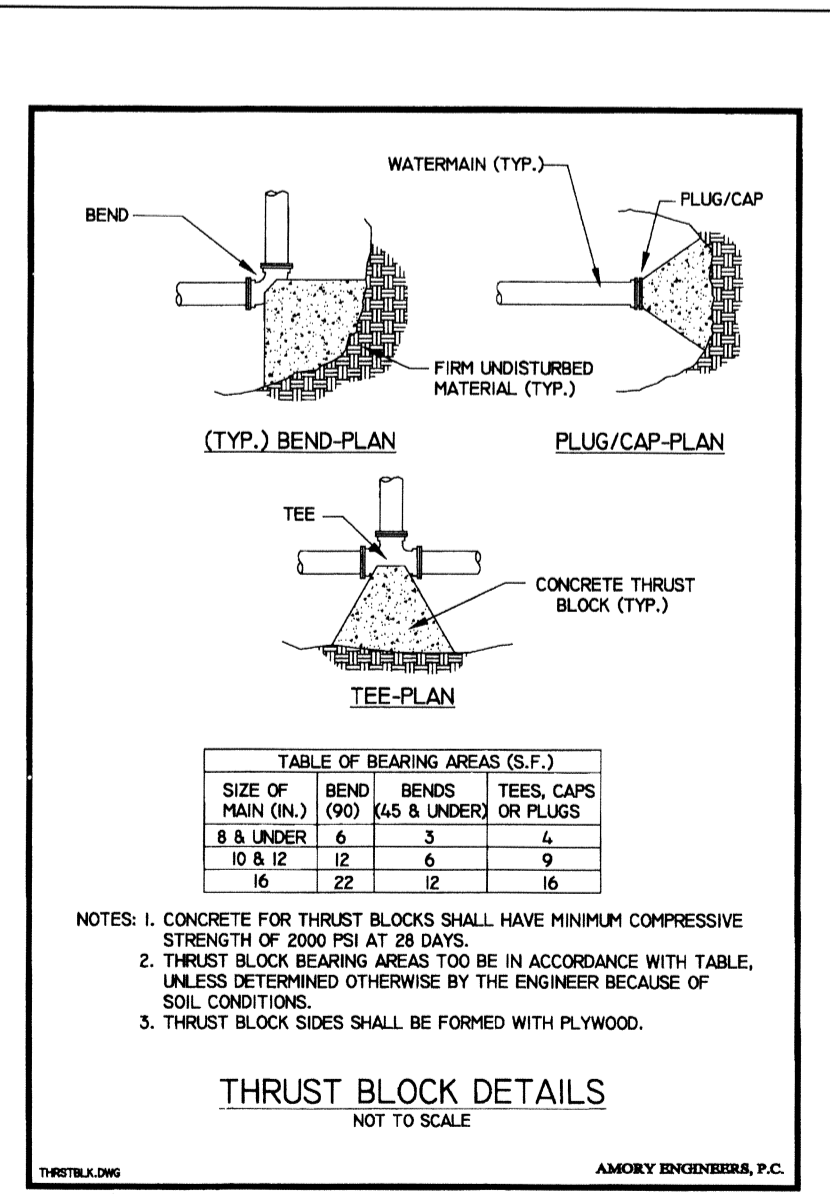
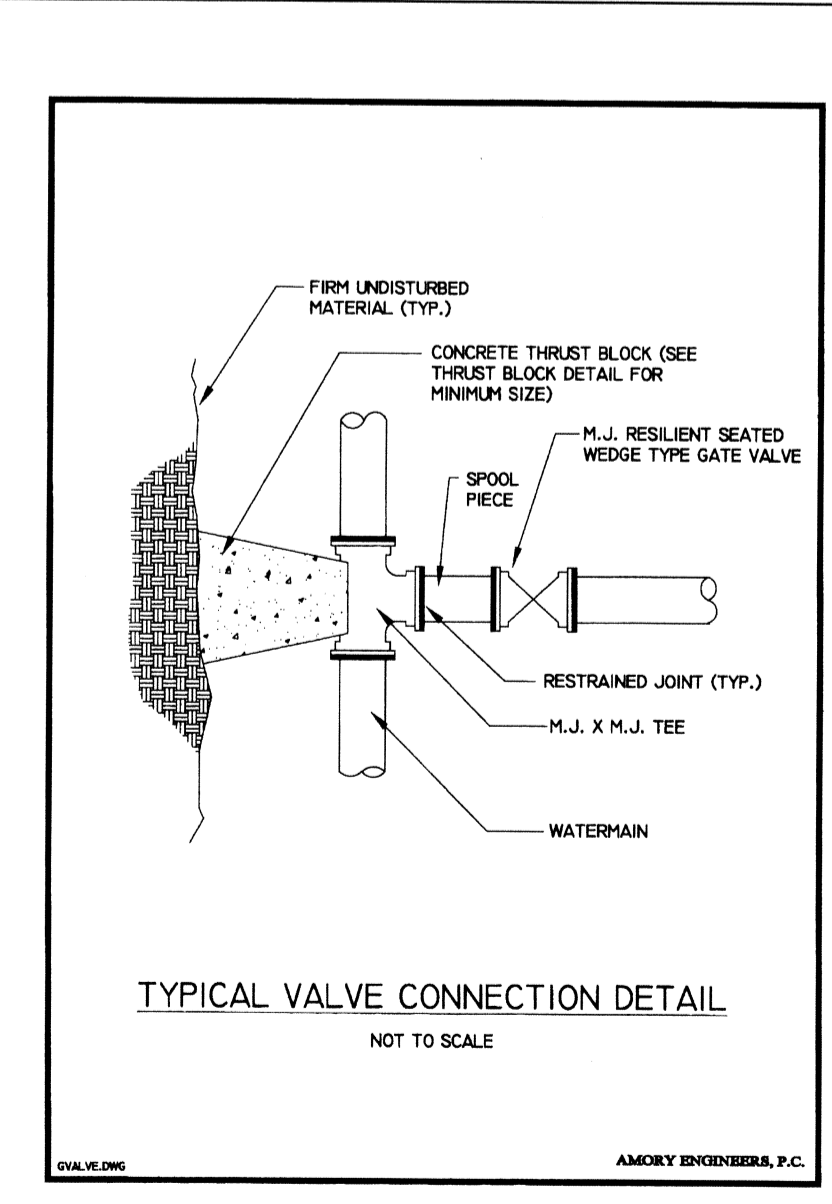
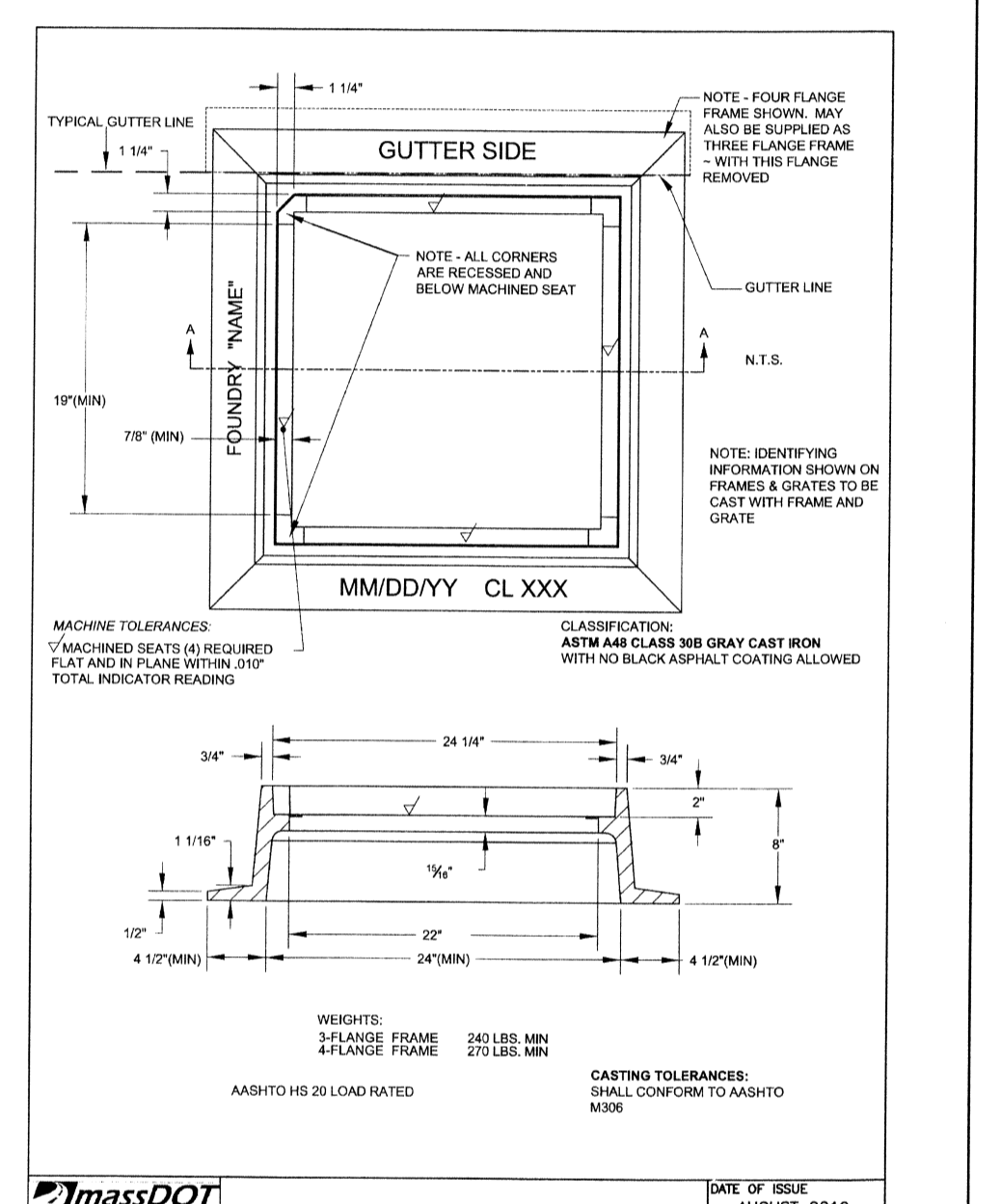
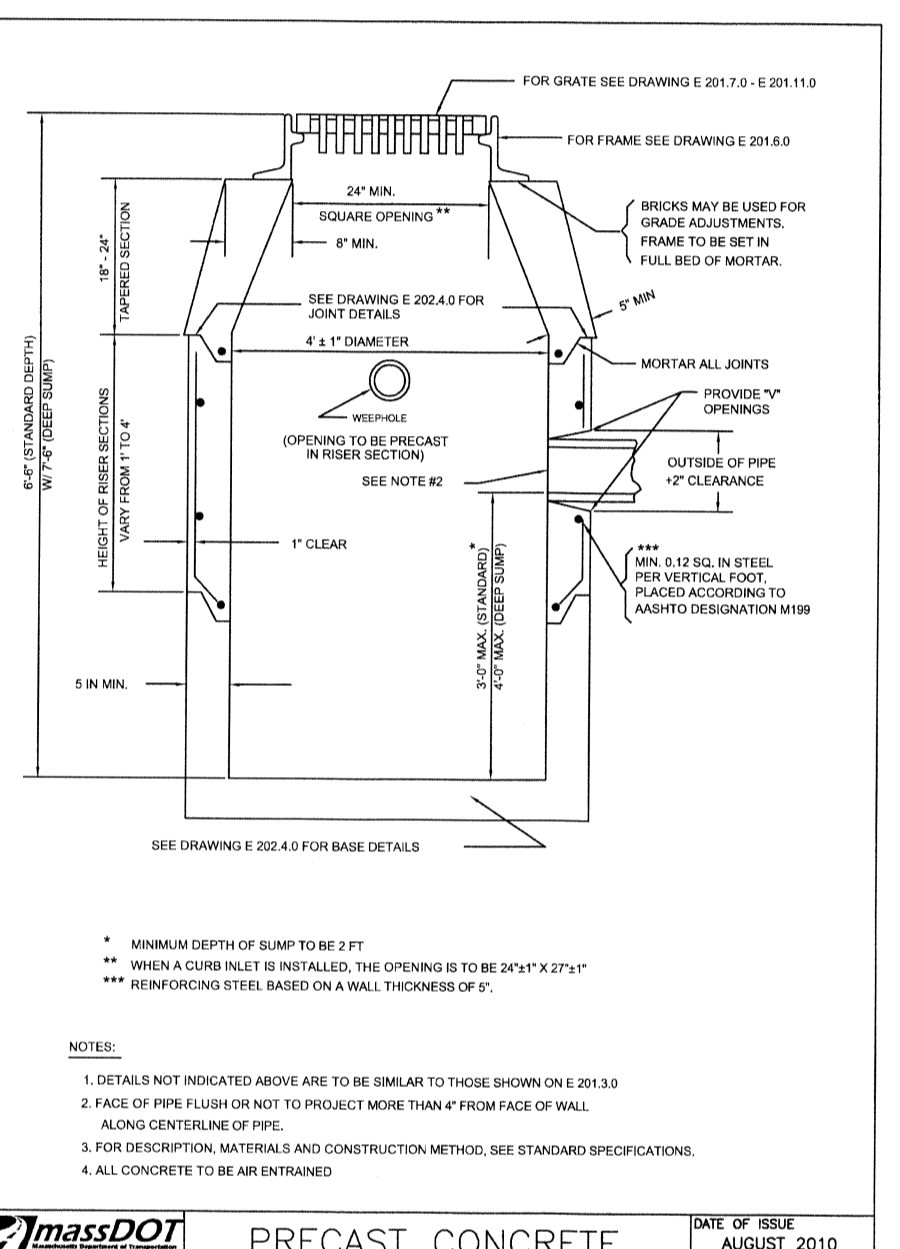
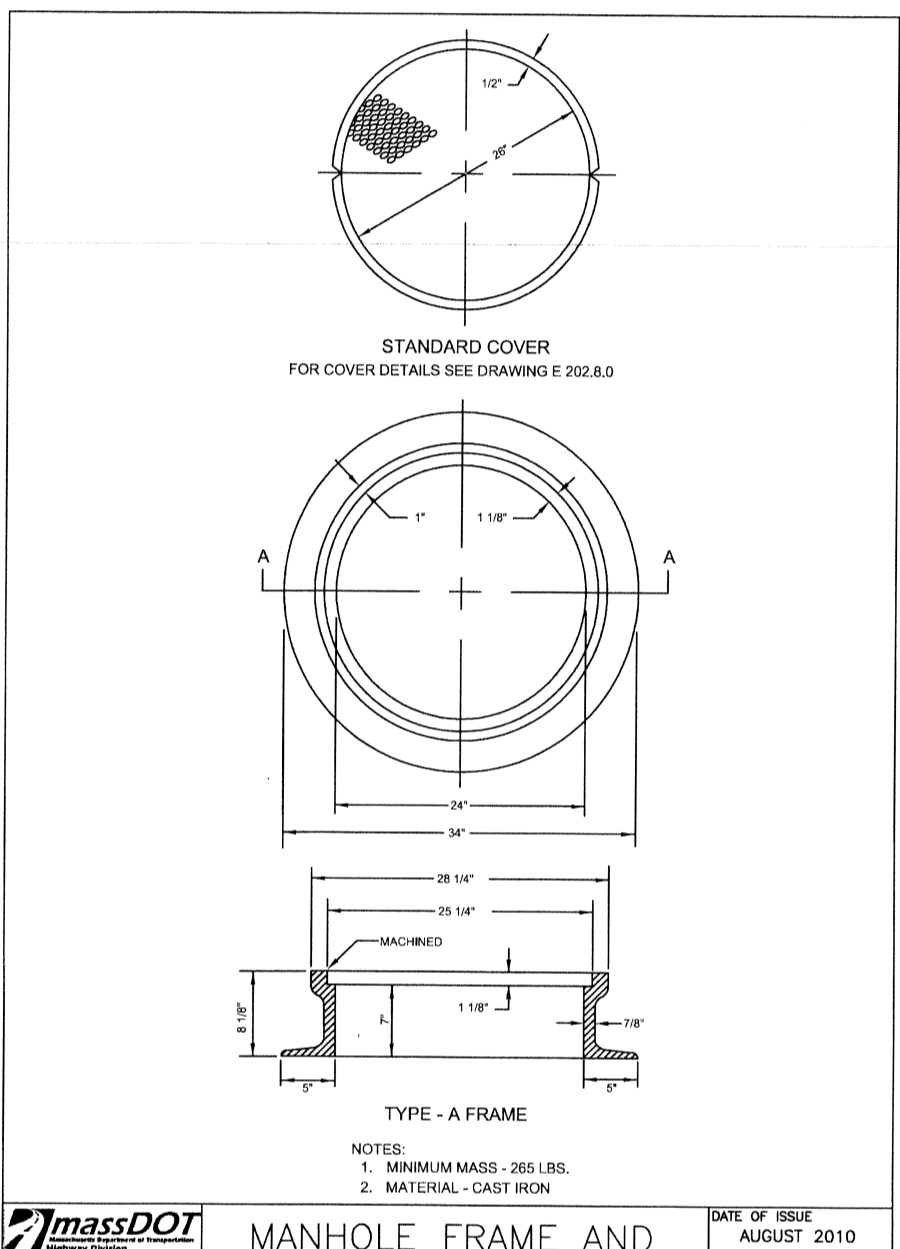
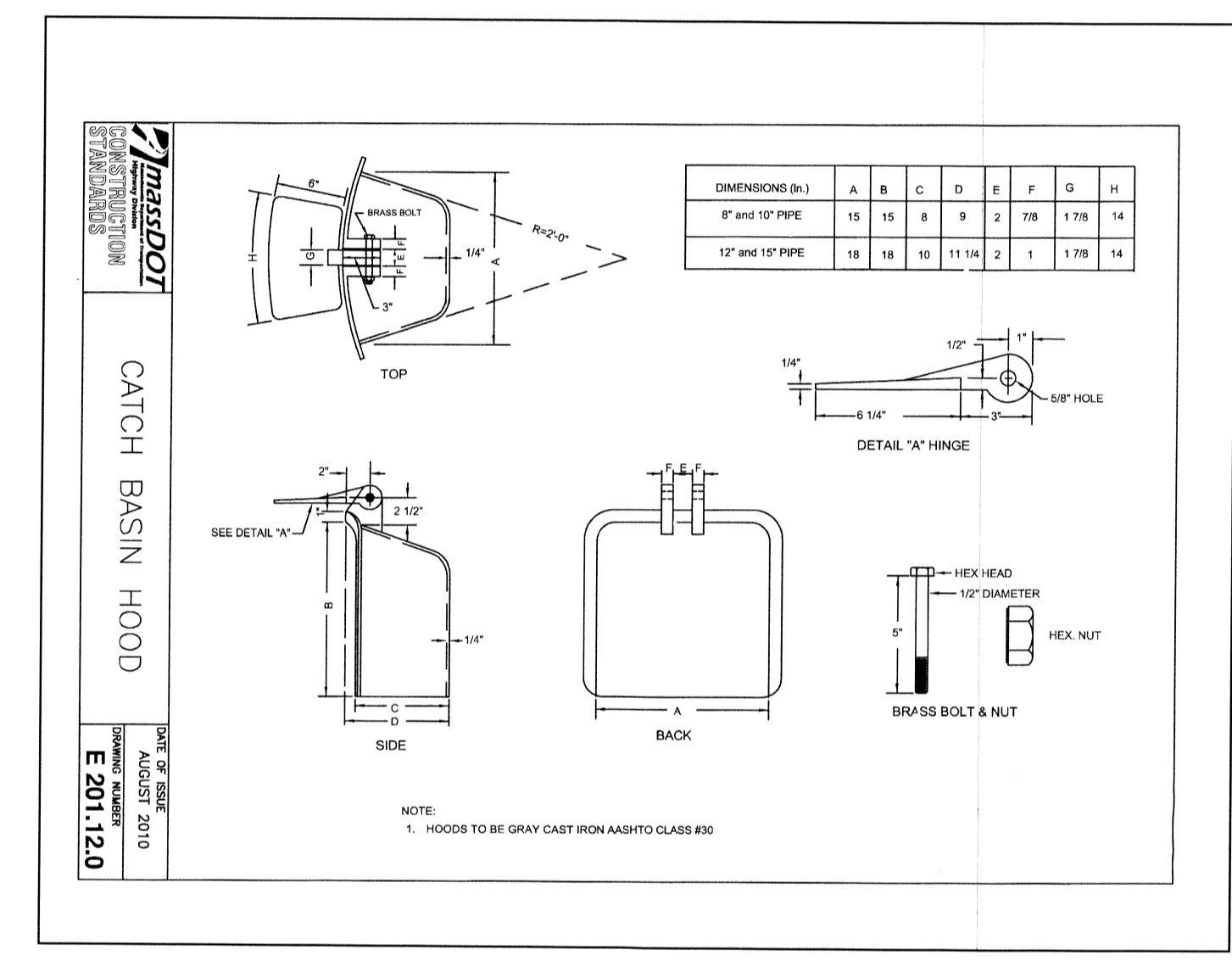
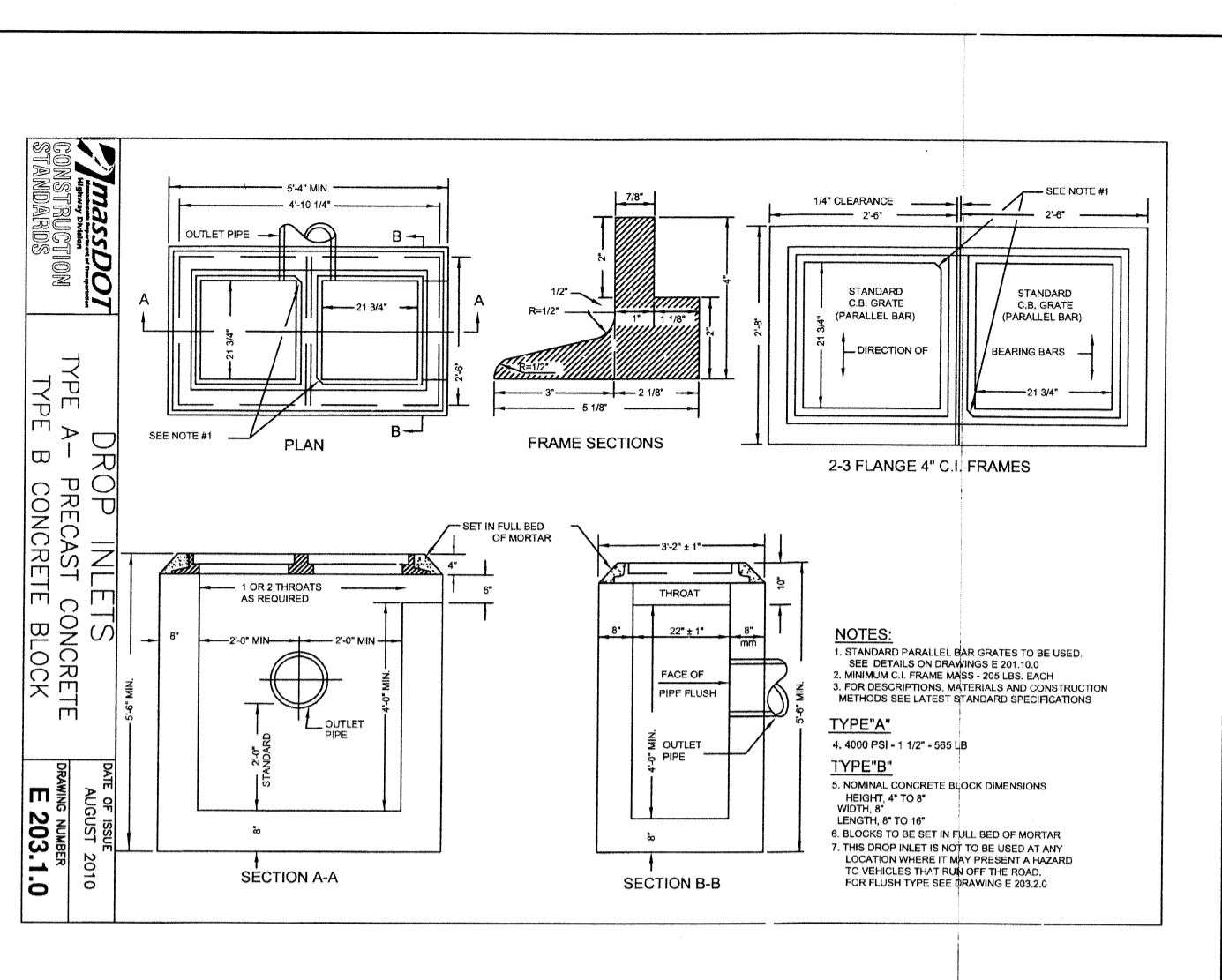


Curb Transition Length for Wheelchair Ramps

ROADWAY PROFILE GRADE	*HIGH SIDE TRANSITION LENGTH	ENGLISH UNITS
%		
=0%		6'-6"
>0% TO 1%		7'-8"
>1% TO 2%		9'-0"
>2% TO 3%		11'-0"
>3% TO 4%		14'-0"
>4% TO 5%		15'-0" Max

NOTE:
*BASED ON A DESIGN SLOPE OF 7.5% AND A REVEAL OF 6".

DATE OF ISSUE: AUGUST 2010
DRAWING NUMBER: E 107.9.0



SEEKONK CROSSINGS
145-201 HIGHLAND AVENUE
SEEKONK, MASSACHUSETTS
AP 8, LOT 141

REVISIONS:

NO.	DATE	DESCRIPTION
1	1/17/11	TOWN COMMENTS
2	3/9/11	TOWN COMMENTS
3	4/4/11	CONSERVATION CONDITIONS

DESIGNED BY: GEC/AAK
DRAWN BY: WMLJR
CHECKED BY: JAC
DATE: SEPT 2010
PROJECT NO: 10-08b

PRELIMINARY, NOT FOR CONSTRUCTION

DETAILS I

SHEET 12 OF 13