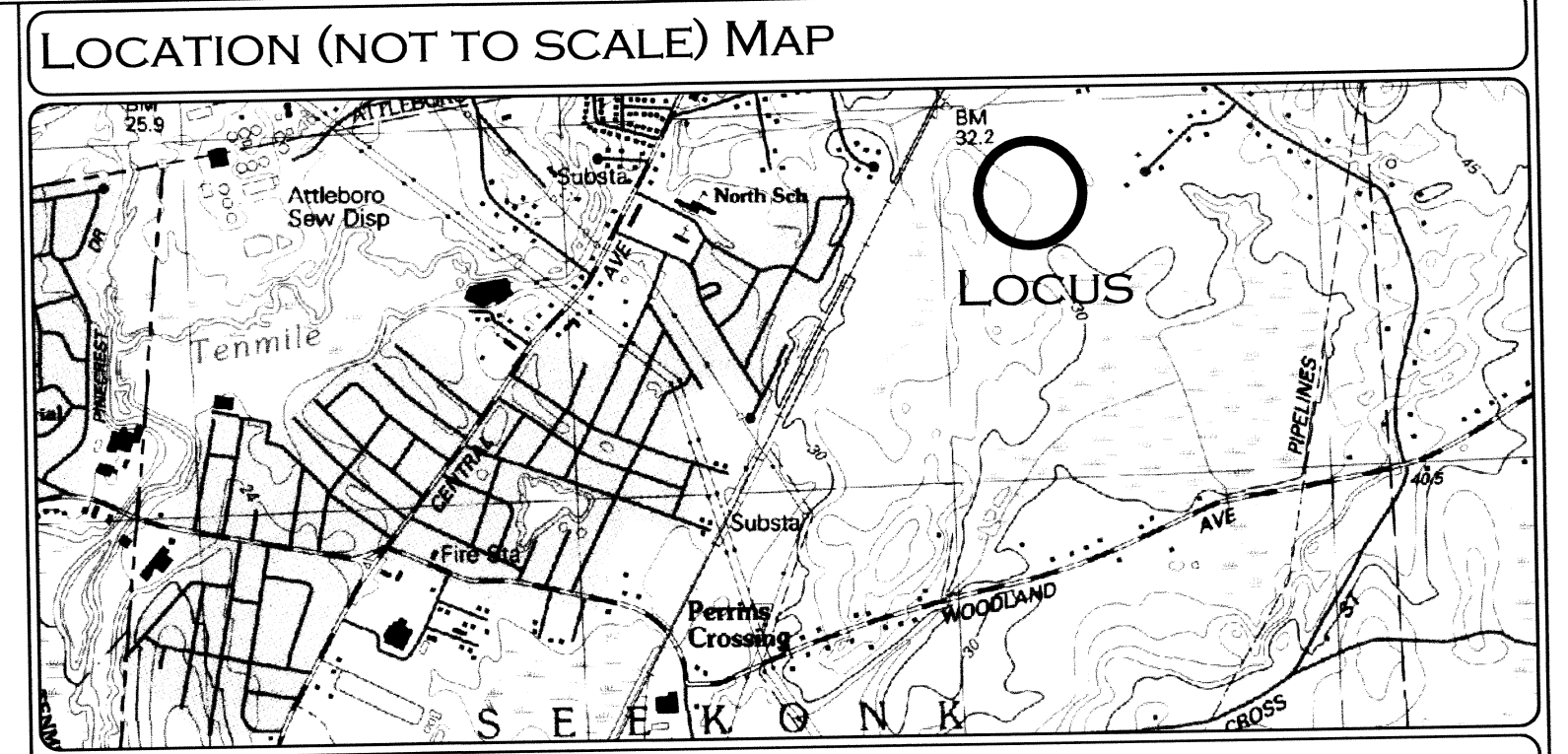
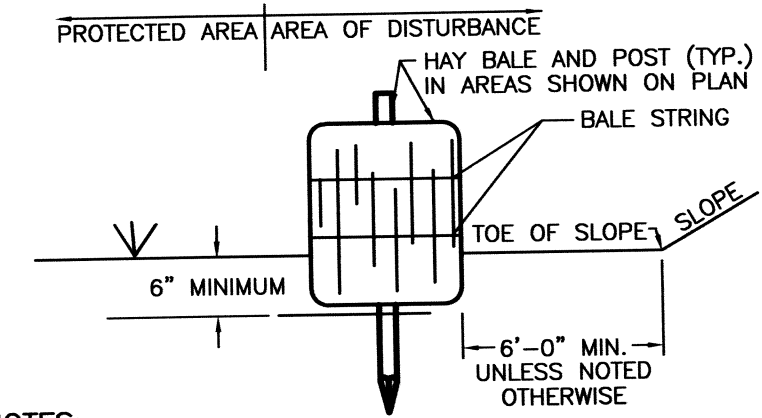


ALL SYSTEM COMPONENTS AND WATER SERVICE SHALL BE MARKED WITH MAGNETIC MARKING TAPE OR A COMPARABLE MEANS IN ORDER TO LOCATE THEM ONCE BURIED. PER CMR 310 15.22(12)

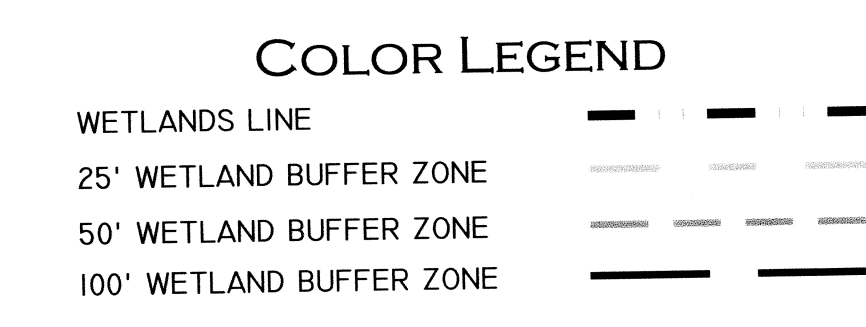
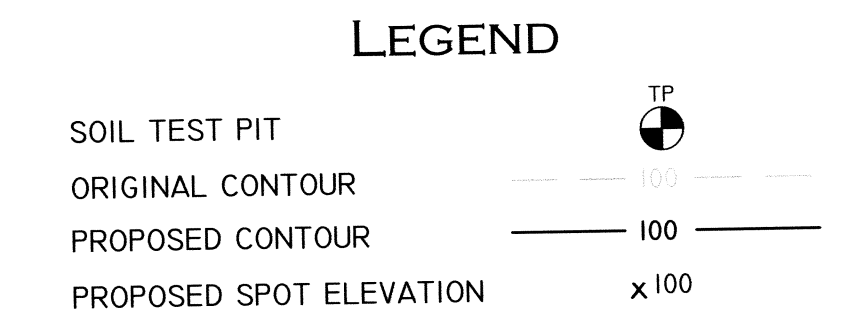


- ### NOTES & SPECIFICATIONS:
- THIS PLAN HAS BEEN PREPARED IN ACCORDANCE WITH THE RULES AND REGULATIONS OF 310 CMR 15 (TITLE V) OF THE COMMONWEALTH OF MASSACHUSETTS AND THOSE OF THE TOWN OF SEEKONK BOARD OF HEALTH.
 - THE REQUIRED INSPECTION SCHEDULE DURING THE PROCESS OF CONSTRUCTION SHALL BE ARRANGED BY THE CONTRACTOR WITH THE BOARD OF HEALTH AND DESIGN ENGINEER PRIOR TO THE COMMENCEMENT OF CONSTRUCTION.
 - 1500 GALLON SEPTIC TANK AND 5 OUTLET DISTRIBUTION BOX SHALL BE STANDARD DUTY DESIGN AS MANUFACTURED BY A. ROTONDO & SONS, INC., OR APPROVED EQUAL.
 - ALL PIPING SHALL BE 4" DIA. SCH.40 NSF PVC, WITH ALL JOINTS SEALED WATERTIGHT.
 - ALL STONE SHALL BE DOUBLE WASHED AND FREE OF IRONS, CLAY OR FINES AND SHALL BE SATISFACTORY TO THE TOWN OF SEEKONK BOARD OF HEALTH.
 - THIS SYSTEM IS NOT DESIGNED TO ACCOMMODATE A GARBAGE DISPOSAL OR OTHER HIGH WATER USE UNITS.
 - THE PROPOSED SEPTIC SYSTEM IS NOT LOCATED WITHIN THE CONE OF INFLUENCE OF ANY MUNICIPAL WELL NOR ARE THERE ANY PRIVATE WELLS LOCATED WITHIN 100 FEET (RADIALLY) OF THE PROPOSED SYSTEM.
 - EXCAVATE ALL TOP, SUB AND ANY OTHER SOILS ENCOUNTERED DOWN INTO THE "C" SAND LAYER ELEV. 103.0 (48" MINIMUM) FOR A HORIZONTAL DISTANCE OF 5' ON ALL SIDES OF THE PROPOSED SYSTEM. BACKFILL TO ELEVATION = 110.7 WITH SELECT ON-SITE OR IMPORTED SOIL MATERIAL CONSISTING OF CLEAN GRANULAR SAND, FREE OF ORGANIC MATTER OR OTHER DELETERIOUS SUBSTANCES AND MEETING THE SIEVE SIZE REQUIREMENTS OF 310 CMR 15.255(3) & (5) [CONSTRUCTION IN FILL].
 - CONTRACTOR SHALL VERIFY EXISTING CONDITIONS AND NOTIFY THE ENGINEER OF ANY DISCREPANCIES PRIOR TO THE CONTINUATION OF CONSTRUCTION.
 - WATER TABLE FLUCTUATES ANNUALLY, NO WARRANTY OF A DRY BASEMENT IS EXPRESSED OR IMPLIED.
 - PROPOSED WORK DOES NOT LIE IN A FLOOD HAZARD ZONE.
 - ELEVATIONS SHOWN ON THIS PLAN ARE BASED ON DEFINITIVE SUBDIVISION PLANS "BRIGHAM FARM SECTION 2" DATED APRIL 7, 2006 PREPARED BY CAPUTO & WICK LTD.
 - THE SPLIT RAIL FENCE WILL SERVE AS THE LIMIT OF LAWN AND FUTURE YARD ACTIVITIES AND SHALL BE PERMANENTLY MAINTAINED IN GOOD CONDITION.
 - THE 25-FOOT BUFFER ZONE DELINEATES THE LIMITS OF DISTURBANCE AND ALL FUTURE ACTIVITIES. THE 50-FOOT WETLAND BUFFER DELINEATES THE LIMITS OF ALL STRUCTURES AS STATED WITHIN THE TOWN OF SEEKONK CONSERVATION COMMISSION REGULATIONS AMENDED MARCH, 2003.



- ### NOTES:
- HAY BALES ARE TO BE PLACED WITHIN A 6" MINIMUM TRENCH PRIOR TO CONSTRUCTION.
 - THOROUGHLY COMPACT EXCAVATED SOILS BACK INTO THE TRENCH AFTER INSTALLATION OF EROSION CONTROL DEVICES.
 - BALE STRING SHALL BE LAID PARALLEL TO THE GROUND SURFACE.
 - EACH BALE TO BE SECURELY STAKED INTO THE GROUND WITH (2) 1"x1"x3" OAK BEAN POLE.
 - CONTRACTOR IS RESPONSIBLE TO MAINTAIN INTEGRITY OF HAY BALE LINE FOR DURATION OF CONSTRUCTION.
 - EROSION CONTROLS TO REMAIN UNTIL SOIL CONDITIONS STABILIZE.
 - LOOSE HAY TO BE SPREAD ON AREAS OF EXPOSED LOAM & SEED UNTIL GERMINATION AND STABILATION OCCURS.

**HAY BALE DETAIL
(NOT TO SCALE)**



DEEP OBSERVATION HOLE "GW-1" LOG

DEPTH	HORIZON	TEXTURE	COLOR	MOTTLING	OTHER
0' - 4'	A	FOREST LIT	10 YR 8/2	-	-
4' - 20'	B	SANDY LOAM	10 YR 8/2	-	-
20' - 44'	C	SAND & STONE 90%	2.5 Y 4/4	4+	-

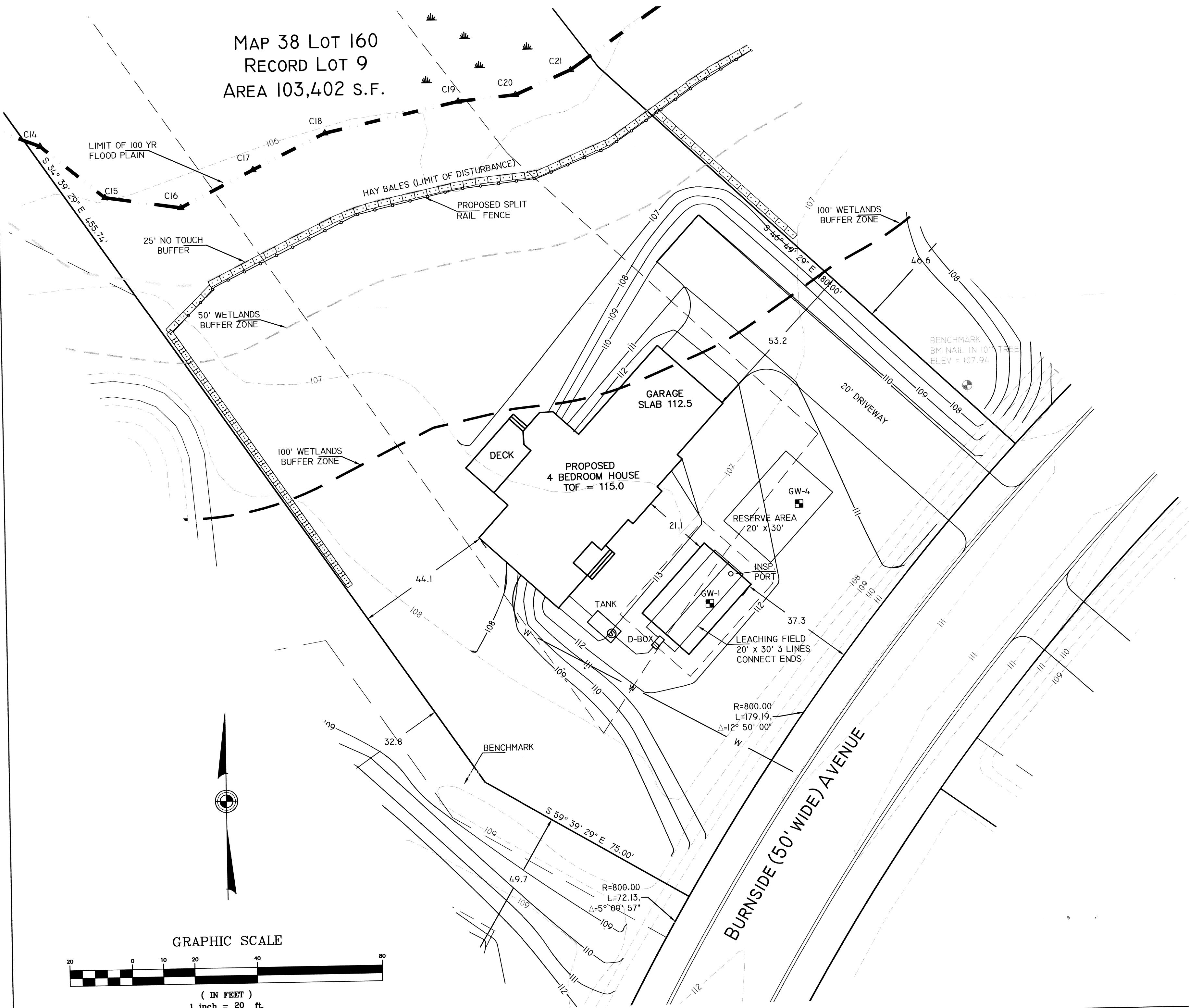
OBSERVED GROUNDWATER - 122"
PERC. RATE @ 20" = 0.1 MPI
ESTIMATED HIGH GROUNDWATER - 44"
STANDING WATER IN HOLE - 120"
DATE OF TESTS - 1/21/04
WITNESS: HAROLD CHEVERET, JR.
TESTING PERFORMED BY: GORDON M. HOLFE

DEEP OBSERVATION HOLE "GW-4" LOG

DEPTH	HORIZON	TEXTURE	COLOR	MOTTLING	OTHER
0' - 14"	A	SANDY LOAM	10 YR 8/2	-	-
14" - 27"	B	LOAMY SAND	10 YR 8/2	-	-
27" - 38"	C1	SANDY LOAM	2.5 Y 4/4	3/8 SIDE	-
38" - 100"	C2	MED SAND	2.5 Y 8/2	-	-

OBSERVED GROUNDWATER - NONE
PERC. RATE 54" = 0.2 MPI
ESTIMATED HIGH GROUNDWATER - 30"
DATE OF TESTS - 1/21/04
WITNESS: HAROLD CHEVERET, JR.
TESTING PERFORMED BY: GORDON M. HOLFE

MAP 38 LOT 160
RECORD LOT 9
AREA 103,402 S.F.



Soil Evaluation & Perc Results

DESIGN CALCULATIONS

AVERAGE DAILY SEWAGE FLOW (GALLONS PER DAY)
PROPOSED 4 BEDROOM DWELLING @ 110 GPD PER BEDROOM = 440 GPD

SEPTIC TANK SIZING (GALLONS)
200% AVERAGE DAILY FLOW = 2 (440) = 880 GALLONS
4 BEDROOM HOME REQUIRES 1500 GALLON TANK (MINIMUM).

LEACHING AREA CALCULATION
SOIL CLASS 1 (SAND) PERC RATE IN TP GW-1 WAS LESS THAN 2 MPI
PERC RATE IN TP GW-4 WAS LESS THAN 2 MPI
DESIGN FOR 5 MPI PER TITLE V.

REQUIRED MINIMUM LEACHING AREA:
ADF = 440 GPD / 0.74 GPD / SF = 595 SF MINIMUM
TRY: LEACHING FIELD 20' WIDE AND 30' LONG
20' x 30' = 600 SF DESIGN TOTAL
DESIGN - 600 SF > REQUIRED - 595 SF OK

NOTICE OF INTENT PLAN SE 69-675

A.P. 38 LOT 160
RECORD LOT 9 "BRIGHAM FARM SECTION 2"
206 BURNSIDE AVENUE SEEKONK MA. 02771

Prepared for: STEVE NAJAS
111 MILES AVENUE, EA. PROVIDENCE R.I. 02914

JOB # 08-025/9 SCALE: 1" = 20' DRAWN BY: SCA DATE: DEC. 21, 2009

REVISID:

PROFESSIONAL SEAL
INSITE
Engineering Services, LLC
PROFESSIONAL ENGINEERS AND LAND SURVEYORS
INSITE PROFESSIONAL COMPLEX, SUITE 1
1539 FALL RIVER AVENUE
SEEKONK, MA 02771
PHONE: (508) 336-4500
FAX: (508) 336-4558

SHEET
1
OF 1