

SOIL EVALUATION REPORT

PERFORMED BY: JOHN W. DELANO DATE: OCTOBER 28, 1999 WITNESSED BY: H. CHENEVERT

DEEP OBSERVATION HOLE #1 GROUND ELEV. = 46.6

ELEV.	DEPTH	HORIZON	SOIL TEXTURE	COLOR	MOTTLING	REMARKS
46.27	0'-4"	A	SANDY LOAM	10YR3/1		FRIABLE
44.60	4'-24"	B	SANDY LOAM	10YR5/5		FRIABLE
43.60	24'-36"	C-1	SAND	2.5Y6/4	36° C.M.D.	LOOSE MED
39.60	36'-84"	C-2	SAND	2.5Y6/2	7.5YR5/8 & 2.5Y7/3	LOOSE MED SATURATED

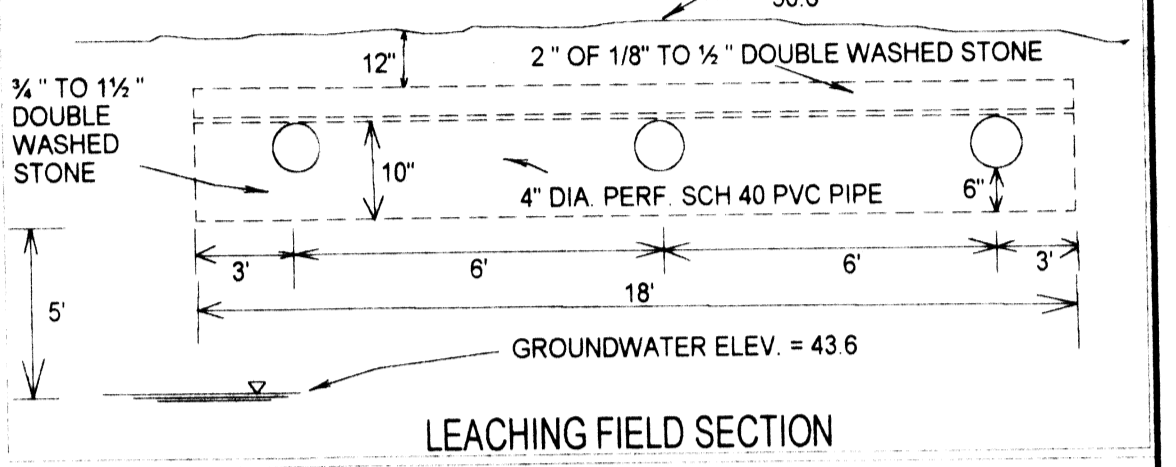
* ELEV. SHOWN IS THE BOTTOM OF EACH LAYER OR HORIZON

PERFORMED BY: JOHN W. DELANO DATE: OCTOBER 28, 1999 WITNESSED BY: H. CHENEVERT

DEEP OBSERVATION HOLE #2 GROUND ELEV. = 47.4

ELEV.	DEPTH	HORIZON	SOIL TEXTURE	COLOR	MOTTLING	REMARKS
47.07	0'-4"	A	SANDY LOAM	10YR3/1		FRIABLE
45.48	4'-23"	B	SANDY LOAM	10YR5/5		FRIABLE
44.32	23'-37"	C-1	SAND	2.5Y6/6	48° C.M.D.	LOOSE F-M
43.40	37'-48"	C-2	SAND	2.5Y7/2	7.5YR5/8 & 2.5Y7/3	LOOSE FINE
40.40	48'-84"	C-3	SAND	2.5Y6/3		LOOSE MED SATURATED

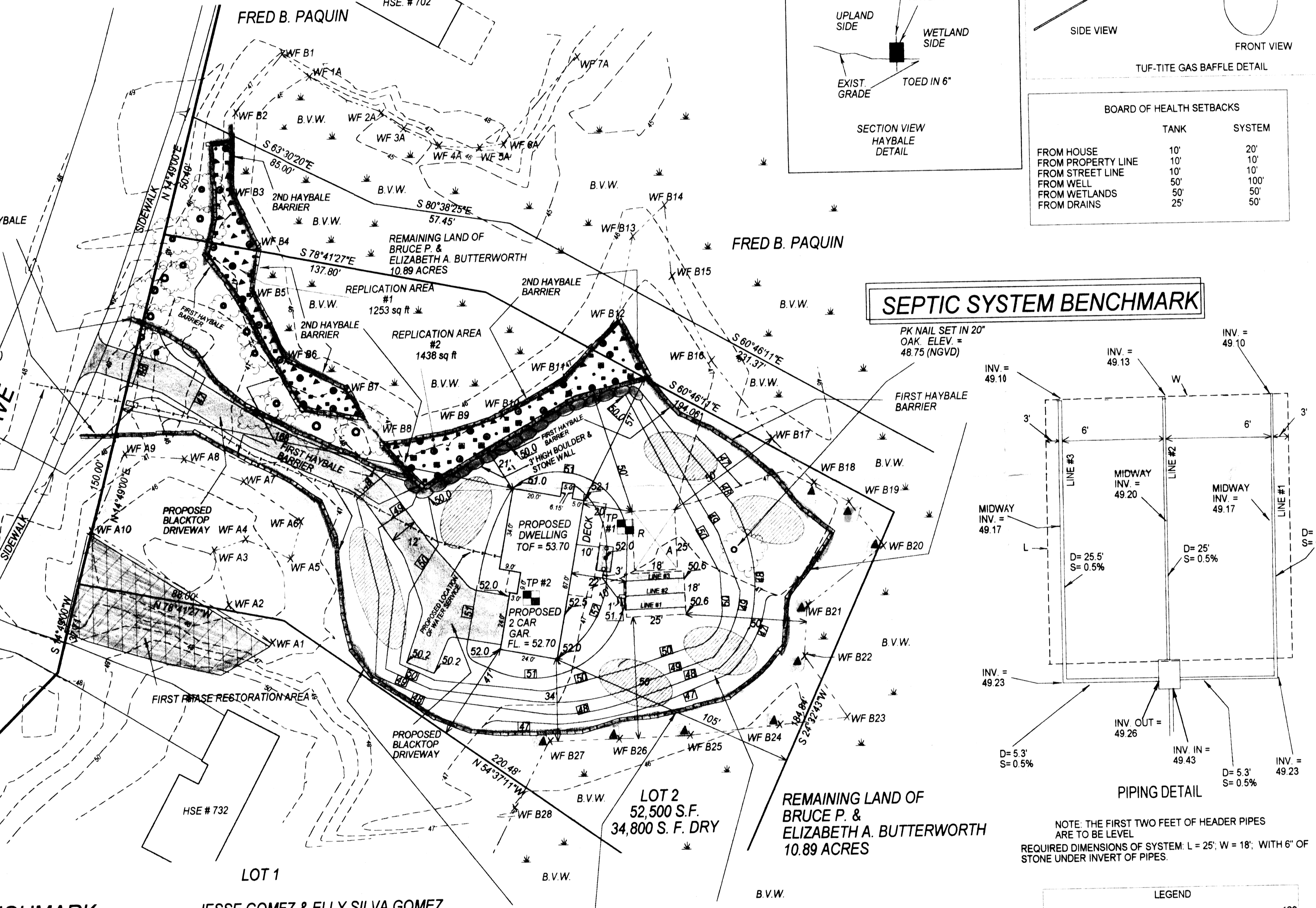
* ELEV. SHOWN IS THE BOTTOM OF EACH LAYER OR HORIZON



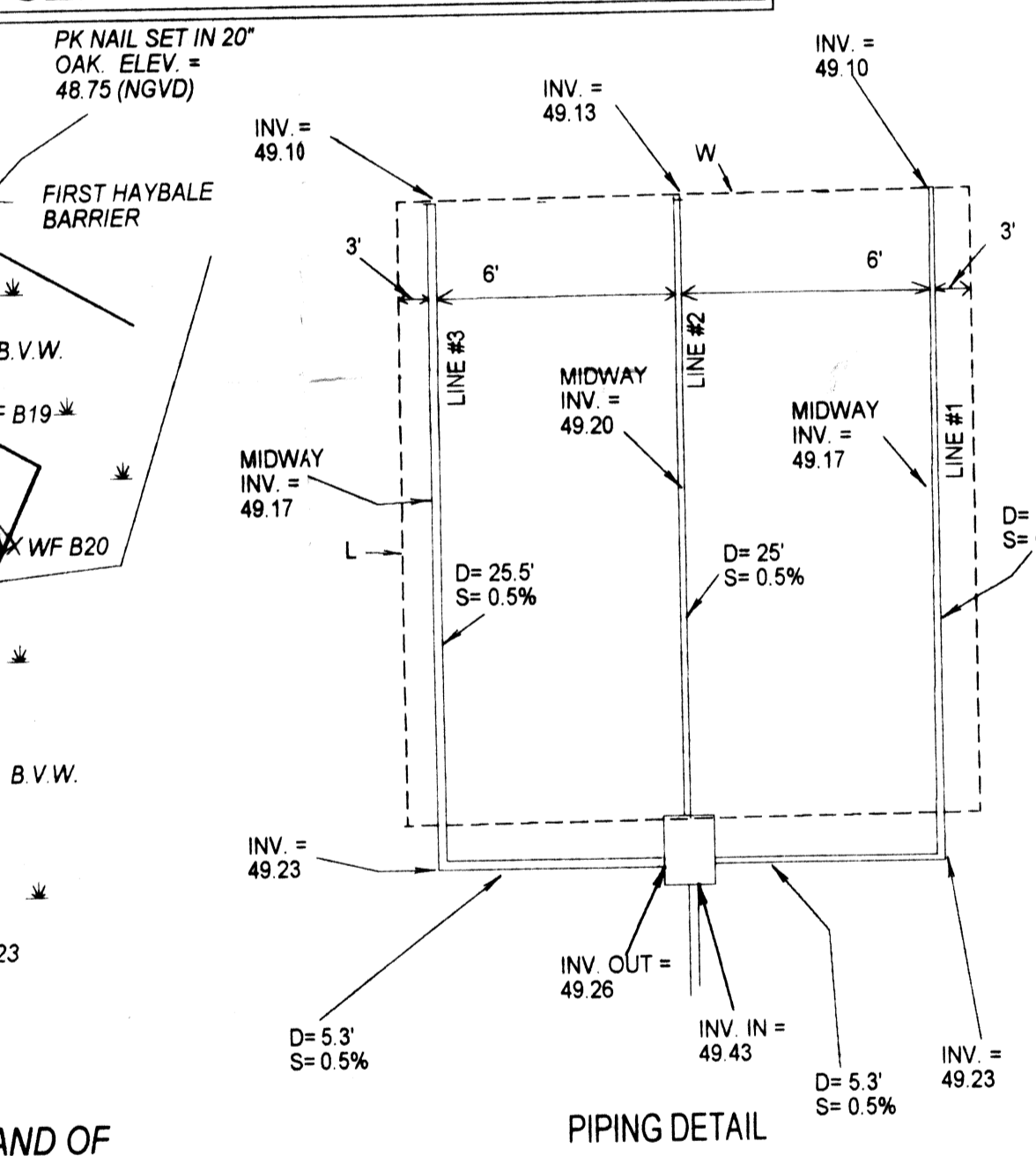
WETLAND REPLICATION PLANT LEGEND

- ▲ RED MAPLE (*Acer rubrum*)
- Highbush Blueberry (*Vaccinium corymbosum*)
- Northern Arrowwood (*Viburnum dentatum*)
- Sweet Pepper Bush (*Clethra alnifolia*)
- Swamp Azalea (*Rhododendron viscosum*)
- ▲ Winterberry (*Ilex verticillata*)

PROPOSED WATER METER PIT WITH POST FOR REMOTE METER READER. SEE TOWN OF SEEKONK WATER DISTRICT REGULATIONS FOR SPECIFICATIONS AND DIMENSIONS OF THE WATER METER PIT. ALL WATER SUPPLY APPURTENANCES BETWEEN THE WATER METER PIT AND THE DWELLING SHALL BE INSTALLED BY A LICENSED PLUMBER (SEE SECTION 2.03 OF THE STATE PLUMBING CODE)



SEPTIC SYSTEM BENCHMARK



PERCOLATION TEST OBSERVATION HOLE #1 GROUND ELEV. = 46.6

PERFORMED BY: JOHN W. DELANO DATE: OCT. 28, 1999 WITNESSED BY: H. CHENEVERT

DEPTH OF PERC SHELF: @ 28" PERC SHELF ELEV. = 44.27

START PRE-SOAK @ 9:56 AM END PRE-SOAK @ 9:52 AM

TIME AT 12": 10:11 AM TIME AT 9": 10:13 AM TIME AT 6": 10:17 AM

TIME FROM 9" TO 6": 4 MIN PERC RATE: 2 MPI

PERCOLATION TEST OBSERVATION HOLE #2 GROUND ELEV. = 47.4

PERFORMED BY: JOHN W. DELANO DATE: OCT. 28, 1999 WITNESSED BY: H. CHENEVERT

DEPTH OF PERC SHELF: @ 24" PERC SHELF ELEV. = 45.40

START PRE-SOAK @ 9:56 AM END PRE-SOAK @ 9:52 AM

TIME AT 12": 10:11 AM TIME AT 9": N/A TIME AT 6": N/A

TIME FROM 9" TO 6": USED 25 GALS. IN LESS THAN 45 MIN

PERC RATE: 2 MPI

GROUNDWATER OBSERVATION REPORT

PERFORMED BY: JOHN W. DELANO DATE: OCTOBER 28, 1999 WITNESSED BY: H. CHENEVERT

DEEP OBSERVATION HOLE #1 GROUND ELEV. = 46.6

WEeping @ 50"

STANDING WATER @ 50"

MOTTLES @ 36°

ADJUSTED SEASONAL HIGH GROUNDWATER: 36°

SEASONAL HIGH GROUNDWATER ELEV. = 43.6

METHOD OF ADJUSTMENT: MOTTLES

DEEP OBSERVATION HOLE #2 GROUND ELEV. = 47.4

WEeping @ 50"

STANDING WATER @ 52"

MOTTLES @ 48°

ADJUSTED SEASONAL HIGH GROUNDWATER: 48°

SEASONAL HIGH GROUNDWATER ELEV. = 43.4

METHOD OF ADJUSTMENT: MOTTLES

ELEVATION SCHEDULE

DESIGN	TOP OF FOUNDATION
53.70	TOP OF FOUNDATION
46.20	FINISHED BASEMENT FLOOR
52.70	FINISHED GARAGE FLOOR
50.16	EXIST. INVERT AT FOUNDATION
49.96	INVERT INTO SEPTIC TANK
49.71	INVERT OUT SEPTIC TANK
49.43	INVERT INTO DISTRIBUTION BOX
49.26	INVERT OUT DISTRIBUTION BOX LINE 1
49.26	INVERT INTO DISTRIBUTION BOX LINE 2
49.26	INVERT OUT DISTRIBUTION BOX LINE 3
49.23	INVERT @ ELBOW LINE 1
49.17	INVERT @ MIDDLE LINE 1
49.10	INVERT @ END LINE 1
49.26	INVERT @ BEGINNING LINE 2
49.20	INVERT @ MIDDLE LINE 2
49.13	INVERT @ END LINE 2
49.23	INVERT @ ELBOW LINE 3
49.17	INVERT @ MIDDLE LINE 3
49.10	INVERT @ END LINE 3
43.60	TOP OF TANK @ INLET
51.0	TOP OF TANK @ OUTLET
45.71	BOTTOM OF SEPTIC TANK (INSIDE)
50.1	TOP OF DISTRIBUTION BOX
48.76	BOTTOM OF DISTRIBUTION BOX (INSIDE)

- NOTE: ALL PIPING SHALL BE AS FOLLOWS:
- FOUNDATION TO SEPTIC TANK SHALL BE 4" DIAMETER, SOLID SCHED. 40 PVC PIPE WITH WATERTIGHT JOINTS.
 - SEPTIC TANK TO D-BOX SHALL BE 4" DIAMETER, SOLID SCHED. 40 PVC PIPE WITH WATERTIGHT JOINTS.
 - D-BOX TO BEGINNING OF LEACHING FACILITY SHALL BE 4" DIAMETER, SOLID SCHED. 40 PVC PIPE WITH WATERTIGHT JOINTS.
 - BEGINNING OF LEACHING FACILITY TO END SHALL BE 4" DIAMETER PERFORATED SCHED. 40 PVC PIPE. ALL CONNECTIONS AND JOINTS SHALL BE MECHANICALLY SOUND AND TIGHT.

I CERTIFY THAT ALL THE INFORMATION SHOWN HEREON IS CORRECT.

John W. Delano 2-14-2000
REGISTERED LAND SURVEYOR DATE

I CERTIFY THAT THE SEWAGE DISPOSAL FACILITY SHOWN HEREON HAS BEEN DESIGNED IN ACCORDANCE WITH 310 CMR 15.00 AND THE REGULATIONS OF THE LOCAL BOARD OF HEALTH.

John W. Delano 2-14-2000
REGISTERED SANITARIAN DATE

ON-SITE SANITARY SEWAGE DISPOSAL SYSTEM
(NEW) 69-430

LOCATED AT LOT 2 ARCADE AVE.
IN
SEEKONK, MA

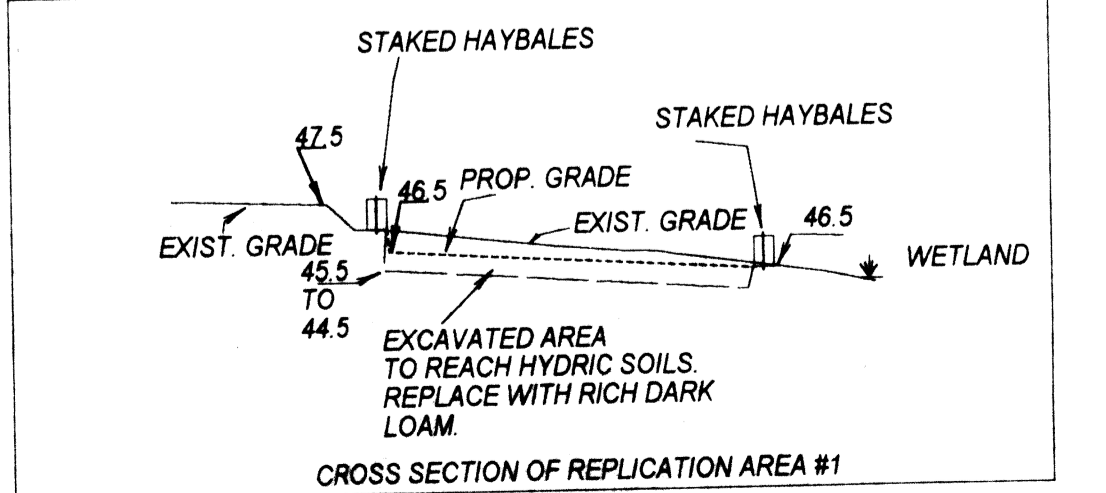
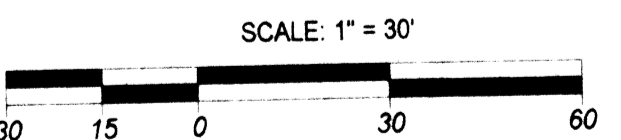
PREPARED FOR
BRUCE BUTTERWORTH & LORNA O'CONNELL

SCALE: 1" = 30' NOVEMBER 17, 1999 (REV.)
JOHN W. DELANO & ASSOC., INC.
LAND SURVEYORS AND CIVIL ENGINEERS

220 HUDSON ST. HALIFAX, MA
27 JEFFERSON ST. TAUNTON, MA
(781) 824-0813 (508) 824-6609

JOB BENCHMARK

TOP OF FIELD STONE
BOUND. ELEV. = 49.25 (NGVD)



I CERTIFY THAT I HAVE CONTACTED THE SEEKONK WATER DISTRICT FOR THE LOCATION OF THE EXISTING WATER SERVICE CURB STOP FOR LOT 2 SHOWN HEREON AND WAS INFORMED THAT THERE IS NO CURB STOP CURRENTLY FOR THIS LOT. THE WATER SERVICE SHOWN ON THIS PLAN IS INTENDED TO BE DRAWN AND INSTALLED IN ACCORDANCE WITH THE RULES & REGULATIONS OF THE SEEKONK WATER DISTRICT.

John W. Delano 2-14-2000
DATE

JOHN W. DELANO
No. 29418
REGISTERED LAND SURVEYOR

JOHN W. DELANO
No. 1145
REGISTERED SANITARIAN

REVISIONS

DATE	REVISIONS
1 02/14/2000	ADDRESS CONSERVATION COMMISSION CONCERNS
2	
3	
4	
5	
6	
7	

DESIGNED BY: JWD
DRAFTED BY: JWD
CHECKED BY: JMD
APPROVED BY: JWD

PREPARED FOR: BRUCE BUTTERWORTH & LORNA O'CONNELL
24 ALTA STREET
SEEKONK, MA
JN 4973

TYPE OF HOUSE: 3 BEDROOM SINGLE FAMILY
LOT HAS NOT BEEN STAKED
ASSESS REF.: MAP 15, LOT (PART OF 31)
ZONING CLASSIFICATION: RESIDENCE R-3