

LEACHING TRENCH PROFILE

SCALES HORIZONTAL 1"=10'
VERTICAL 1"=2'

LEACHING TRENCH SECTION

SCALES HORIZONTAL 1"=10'
VERTICAL 1"=2'

DEEP OBSERVATION HOLE 29A LOG
ORIGINAL GROUND ELEVATION = 162.50

DEPTH	HORIZON	TEXTURE	COLOR	MOTTLING	OTHER
3" - 0"	B	SANDY LOAM	10 YR 5/8	-	-
0" - 24"	C1	SILT LOAM	2.5 Y 5/3	COMM. 10YR 6/8	BASIL (SIC)
24" - 82"	C2	SANDY LOAM	2.5 Y 5/1	-	-

OBSERVED GROUNDWATER - 144" (EL. 150.50) WEEPING FROM PIT FACE - 144" (EL. 150.50)
ESTIMATED HIGH GROUNDWATER - 48" (ELEV. 158.50)
PERCOLATION RATE AT HOLE 29A - 9 MPI @ 100"

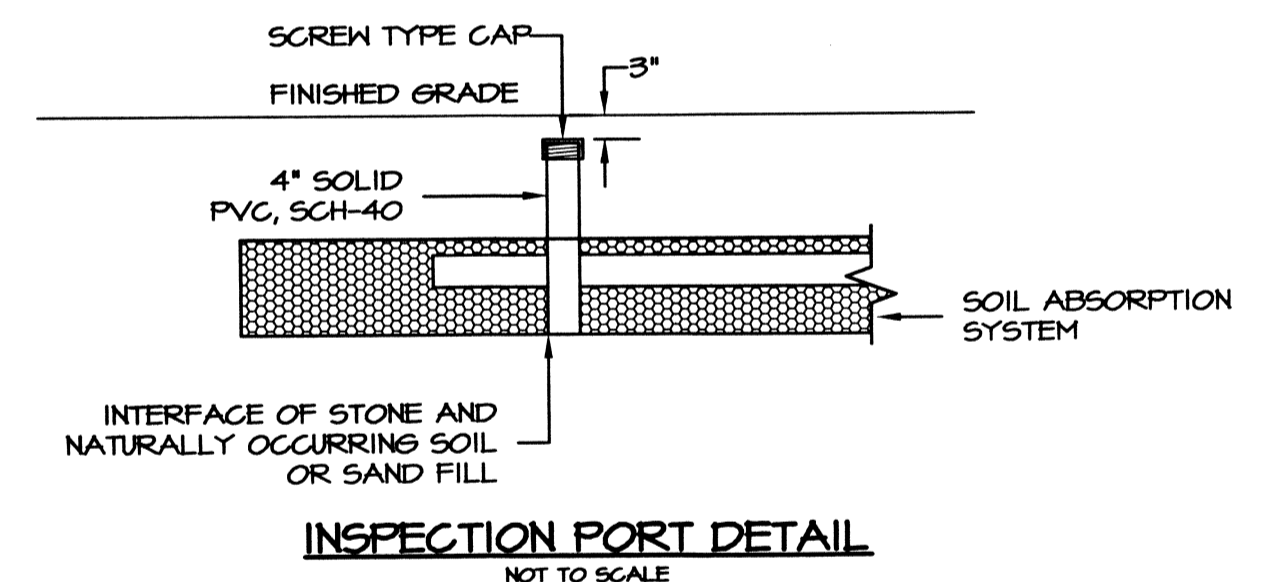
DEEP OBSERVATION HOLE 29B LOG
ORIGINAL GROUND ELEVATION = 162.00

DEPTH	HORIZON	TEXTURE	COLOR	MOTTLING	OTHER
3" - 0"	B	SANDY LOAM	10 YR 5/8	-	-
0" - 24"	C1	SILT LOAM	2.5 Y 5/3	COMM. 10YR 6/8	BASIL (SIC)
24" - 70"	C2	SANDY LOAM	2.5 Y 5/1	-	-

OBSERVED GROUNDWATER - 120" (EL. 152.00) WEEPING FROM PIT FACE - 115" (EL. 152.42)
ESTIMATED HIGH GROUNDWATER - 48" (ELEV. 158.00)
PERCOLATION RATE AT HOLE 29A - 8 MPI @ 96"
TESTING DATE: JULY 18, 2001
TEST PERFORMED BY: DEAN MONSEES
TESTING WITNESSED BY: HAROLD CHENEVERT, JR., SEEKONK BOARD OF HEALTH

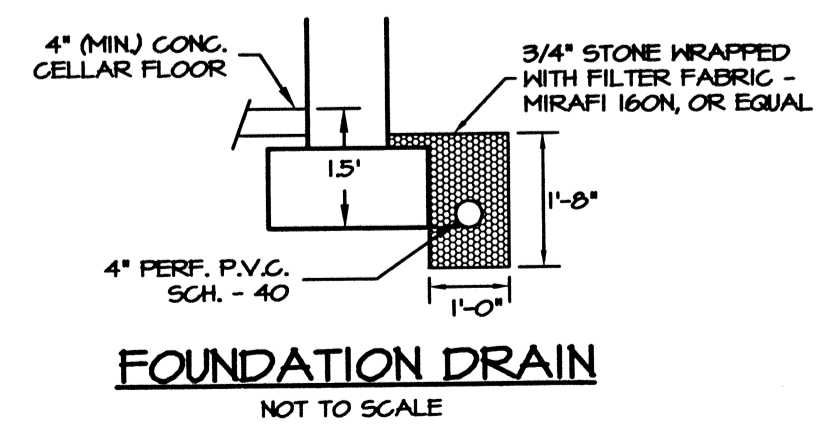
SEWAGE DISPOSAL SYSTEM NOTES:

- ALL WORK SHALL CONFORM TO THE 310 CMR 15.00 STATE ENVIRONMENTAL CODE - TITLE 5 AND THE RULES AND REGULATIONS OF THE SEEKONK BOARD OF HEALTH
- STRIP ALL TOPSOIL, SUBSOIL AND UNSUITABLE MATERIAL, TREE ROOTS AND STUMPS AND ANY OTHER IMPERVIOUS OR SPECIFIED SOIL IN THE AREA OF THE SYSTEM AND 5 FEET HORIZONTALLY BEYOND THE EDGE OF THE SYSTEM STONE IN ALL DIRECTIONS, WHERE POSSIBLE. STRIP MATERIAL VERTICALLY 3" MINIMUM INTO THE NATURALLY OCCURRING PERVIOUS MATERIAL. REPLACE WITH GRANULAR FILL MEETING THE LATEST SPECIFICATIONS OF 310 CMR 15.255.
- THE CONTRACTOR IS TO REMOVE ALL UNSUITABLE MATERIAL BELOW THE PROPOSED SOIL ABSORPTION SYSTEM PRIOR TO INSTALLATION. SEE DEEP OBSERVATION HOLES SOIL DATA FOR FURTHER INFORMATION. **VERTICAL LIMITS MAY BE VARIABLE.**
- ALL PIPE TO BE 4" P. V. C. SCHEDULE 40 UNLESS OTHERWISE NOTED.
- PLACE 6" MINIMUM COMPACTED CRUSHED STONE UNDER SEPTIC TANK, AND DISTRIBUTION BOX.
- SOIL TESTING FOR THIS PROJECT WAS PERFORMED BY CAPUTO AND WICK LTD. AND WITNESSED BY THE SEEKONK BOARD OF HEALTH AGENT, BETH HALLAL. IF CONDITIONS ENCOUNTERED DURING CONSTRUCTION VARY SUBSTANTIALLY FROM THOSE SHOWN ON THIS PLAN, NOTIFY CAPUTO AND WICK, LTD. BEFORE PROCEEDING WITH CONSTRUCTION. **P. N. DOUBT, ASK.**
- GARBAGE GRINDER IS NOT ALLOWED WITH THIS DESIGN.
- INLET AND OUTLET TEES FOR SEPTIC TANK ARE TO BE LOCATED DIRECTLY BELOW ACCESS COVERS.
- SEPTIC TANK AND DISTRIBUTION BOX SHALL BE DESIGNED FOR H5-20-44 LOADING.
- IT IS RECOMMENDED THAT THE SEPTIC TANK BE INSPECTED TWICE A YEAR, AND BE CLEANED WHEN THE SOLIDS EQUAL ONE THIRD THE LIQUID DEPTH.
- BREAKOUT ELEVATION = 164.25. NO FINISHED GRADE BELOW 164.25 FOR 15 FEET (MINIMUM) FROM THE EDGE OF THE LEACHING AREA.
- CONTRACTOR SHALL CONTACT "DIG-SAFE" PRIOR TO CONSTRUCTION. LOCATION OF UTILITIES ON THIS PLAN ARE FROM BEST AVAILABLE EXISTING INFORMATION, BUT ARE ONLY TO BE CONSIDERED APPROXIMATE.
- ALL STONE USED FOR CONSTRUCTION OF THE SOIL ABSORPTION SYSTEM MUST BE DOUBLE WASHED AS SPECIFIED BY 310 CMR 15.24T. ACTUAL STONE MATERIAL MAY ALSO BE SUBJECT TO APPROVAL BY THE DESIGN ENGINEER AND/OR SEEKONK HEALTH AGENT.
- NO EXISTING WATER WELLS WERE FOUND WITHIN 200' OF PROPOSED SEWAGE DISPOSAL SYSTEM ARE SHOWN.
- MATERIAL AND EQUIPMENT FROM ALTERNATE MANUFACTURERS MAY BE USED IF EQUAL. APPROVAL FOR ALTERNATE MATERIAL AND/OR EQUIPMENT REQUIRED FROM ENGINEER AND THE BOARD OF HEALTH PRIOR TO CONSTRUCTION. FULL SPECIFICATIONS FOR ALTERNATE EQUIPMENT MUST BE PROVIDED BY CONTRACTOR.
- THE DESIGNER EXPRESSLY DISCLAIMS ANY RESPONSIBILITY FOR MONITORING, INSPECTING OR SUPERVISING THE ACTUAL CONSTRUCTION WORK. AFTER EXCAVATING AND PRIOR TO INSTALLING ANY IMPORTED MATERIAL, CONTACT THE BOARD OF HEALTH AGENT FOR A BOTTOM OF EXCAVATION INSPECTION. AFTER SYSTEM COMPONENTS ARE IN PLACE AND PRIOR TO BACKFILLING, CONTACT THE DESIGNER TO VERIFY THE LOCATION AND ELEVATION OF SYSTEM COMPONENTS AND PREPARE A RECORD DRAWING AS REQUIRED BY THE BOARD OF HEALTH.
- THE DESIGNER EXPRESSLY DISCLAIMS ANY RESPONSIBILITY FOR THE INSTALLATION AND MAINTENANCE OF THE SYSTEM. IT SHALL BE THE RESPONSIBILITY OF THE INSTALLER TO CONSTRUCT THE SYSTEM IN ACCORDANCE WITH 310 CMR 15.00 AND LOCAL BOARD OF HEALTH REGULATIONS AND THE RESPONSIBILITY OF THE OWNER FOR PROPERLY MAINTAINING THE SYSTEM IN ACCORDANCE WITH 310 CMR 15.00 AND THE LOCAL BOARD OF HEALTH REGULATIONS.
- REFER TO 310 CMR 15.00 AND THE LOCAL BOARD OF HEALTH REGULATIONS FOR ADDITIONAL INFORMATION CONCERNING THE CONSTRUCTION AND OPERATION OF THE SYSTEM. THE INSTALLER AND OWNER SHOULD REVIEW AND APPLY 310 CMR 15.00 AND THE LOCAL BOARD OF HEALTH REGULATIONS SYSTEM TO BE CONSTRUCTED BY A INSTALLER LICENSED BY THE SEEKONK BOARD OF HEALTH.
- FILL MEETING THE REQUIREMENTS OF 310 CMR 15.255(3) MUST BE PLACED ON SCARIFIED, RELATIVELY DRY NATURAL SOIL. THE CONTRACTOR SHALL PROVIDE FOR DEWATERING AS REQUIRED AND ALL WORK SHALL BE PERFORMED UNDER DRY CONDITIONS PER 310 CMR 15.255(6).
- THE CELLAR FLOOR ELEVATION SHOWN HAS BEEN SUGGESTED AS A MINIMUM BASED ON OBSERVED GROUNDWATER CONDITIONS. SINCE THE GROUNDWATER LEVELS FLUCTUATE ANNUALLY, NO WARRANTY OF A DRY CELLAR IS EXPRESSED OR IMPLIED.
- INSTALL MAGNETIC TAPE OVER ALL PIPE AND SYSTEM COMPONENTS.
- IF REQUESTED BY THE BOARD OF HEALTH AGENT, CONTRACTOR SHALL DIG ADDITIONAL DEEP OBSERVATION HOLES IN THE VICINITY OF THE PROPOSED LEACHING FACILITY TO CONFIRM SOIL CHARACTERISTICS PRIOR TO ANY CONSTRUCTION. HOLE SHALL BE WITNESSED BY BOARD OF HEALTH AGENT AND CAPUTO AND WICK LTD.



DESIGN DATA

- DAILY SEWAGE FLOW
- 5 BEDROOMS
 - DAILY FLOW = 110 GAL./BEDROOM = 550 GALLONS PER DAY
- SEPTIC TANK REQUIREMENTS
- VOLUME = 2 x DAILY FLOW = 550 GALLONS
 - USE 1500 GALLON SEPTIC TANK - H-20-44 LOADING
- LEACHING AREA REQUIREMENTS
- PERCOLATION RATE = 4 MINUTES PER INCH
 - DESIGN FOR 15 MINUTES PER INCH - SOIL TEXTURE CLASS - II
 - EFFLUENT LOADING RATE = 0.56 GALLONS PER SQUARE FOOT
 - SIDEWALL AREA = [(2 x 1' x 50') + (2 x 1' x 3')] x 4 = 424 SQUARE FEET
 - BOTTOM AREA = 50' x 3' x 4' = 600 SQUARE FEET
 - TOTAL LEACHING AREA = 1024 SQUARE FEET
 - TOTAL LEACHING CAPACITY = 1024 S. F. x 0.56 GAL/DAY/S.F. = 573 GAL/DAY > 550 GPD



569-691

DETAILS AND NOTES	
PREPARED FOR DONALD L. & LYDIA S. WILD ASSESSORS PLAT 26 - LOT 171 28 PATRICIA DRIVE SEEKONK, MASSACHUSETTS	
CAPUTO AND WICK LTD.	DATE JUNE 2010
1150 PAWTUCKET AVE. RUMFORD, R.I. 02916 401-434-8880	SHEET 2 OF 2