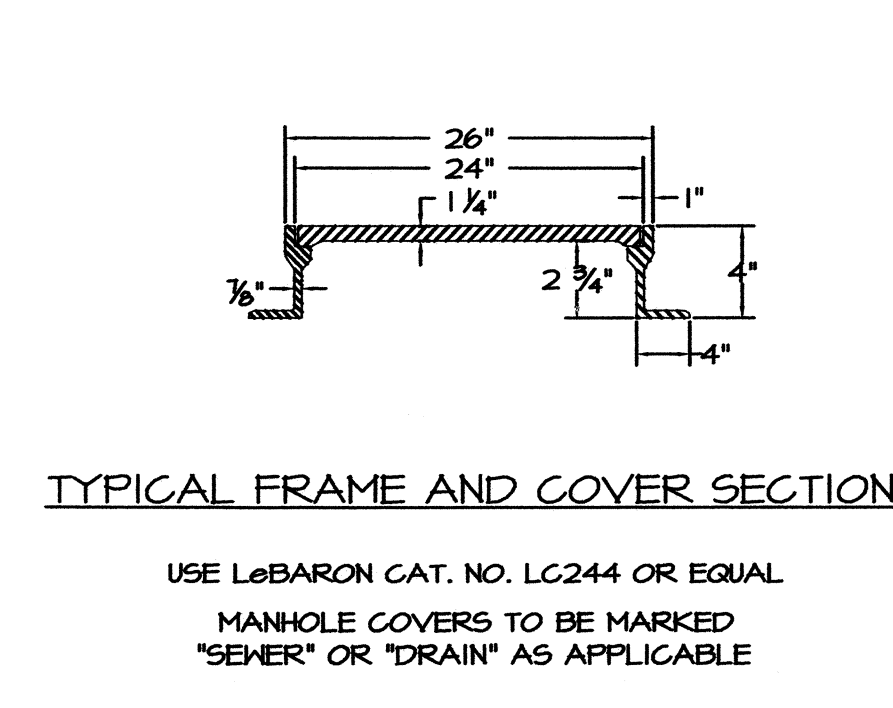
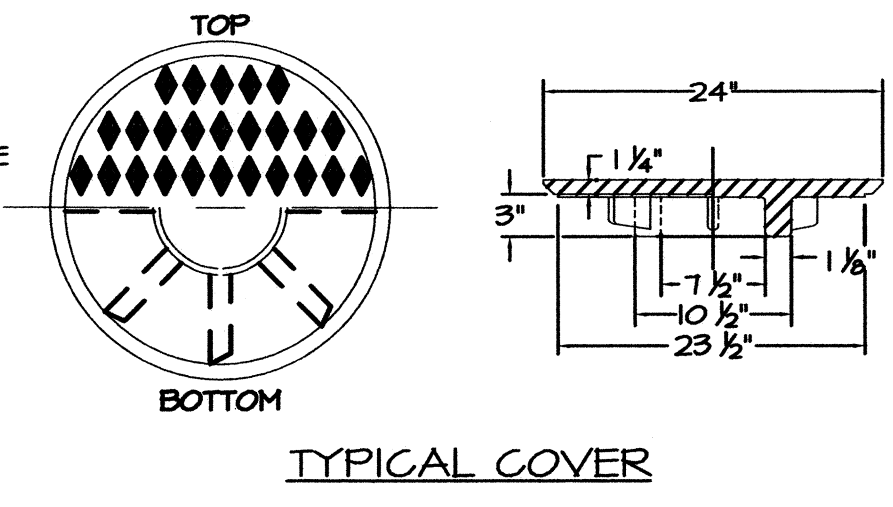
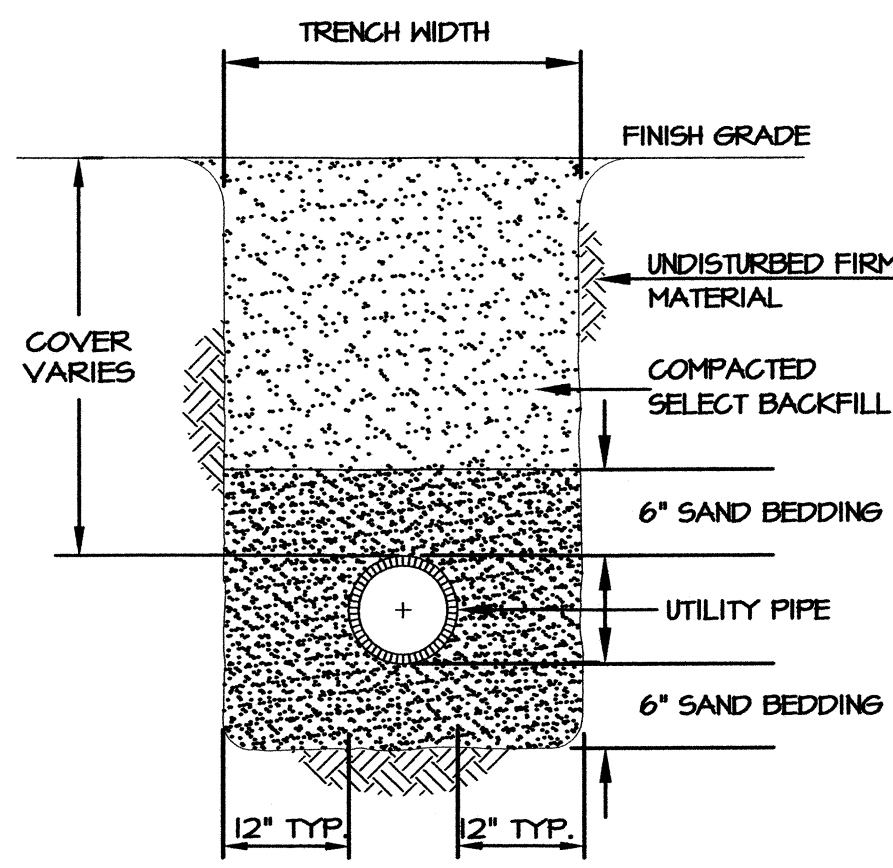


**SQUARE FRAME AND GRATE**  
NOT TO SCALE

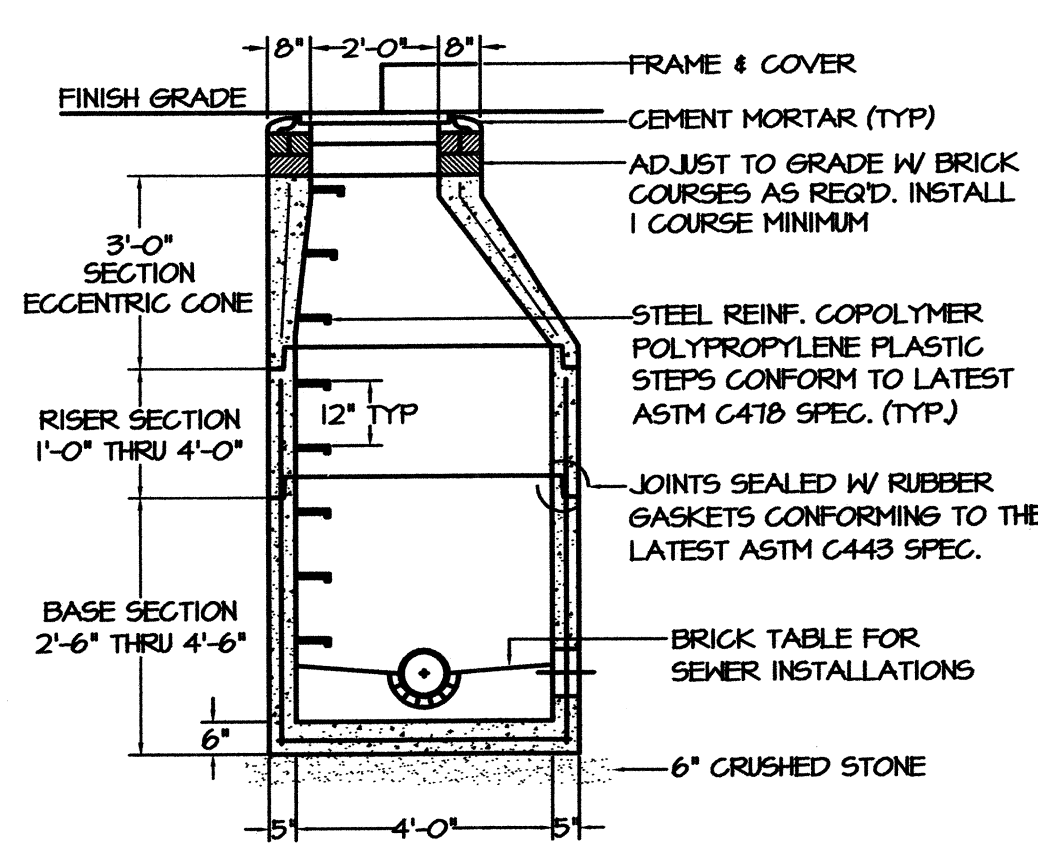


**MANHOLE FRAME AND COVER**  
NOT TO SCALE



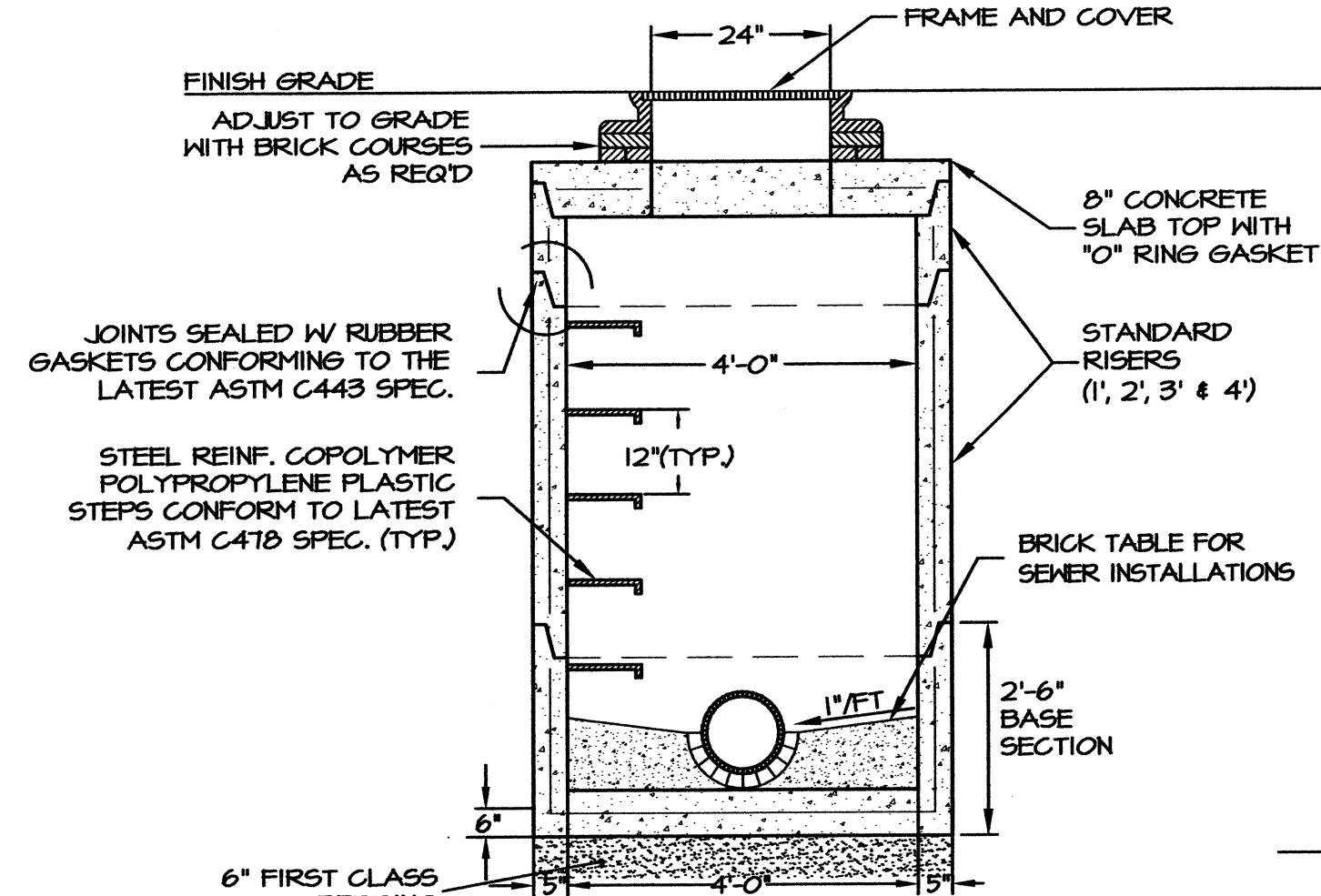
**UTILITY TRENCH DETAIL**  
NOT TO SCALE

- NOTES:**
- 1) FINISH GRADE MATERIAL VARIES (SEE SITE PLAN)
  - 2) COMPACT ALL BACKFILL IN 8" LIFTS
  - 3) SUBSTITUTE PEA STONE BEDDING FOR SAND BEDDING UNDER WET CONDITIONS



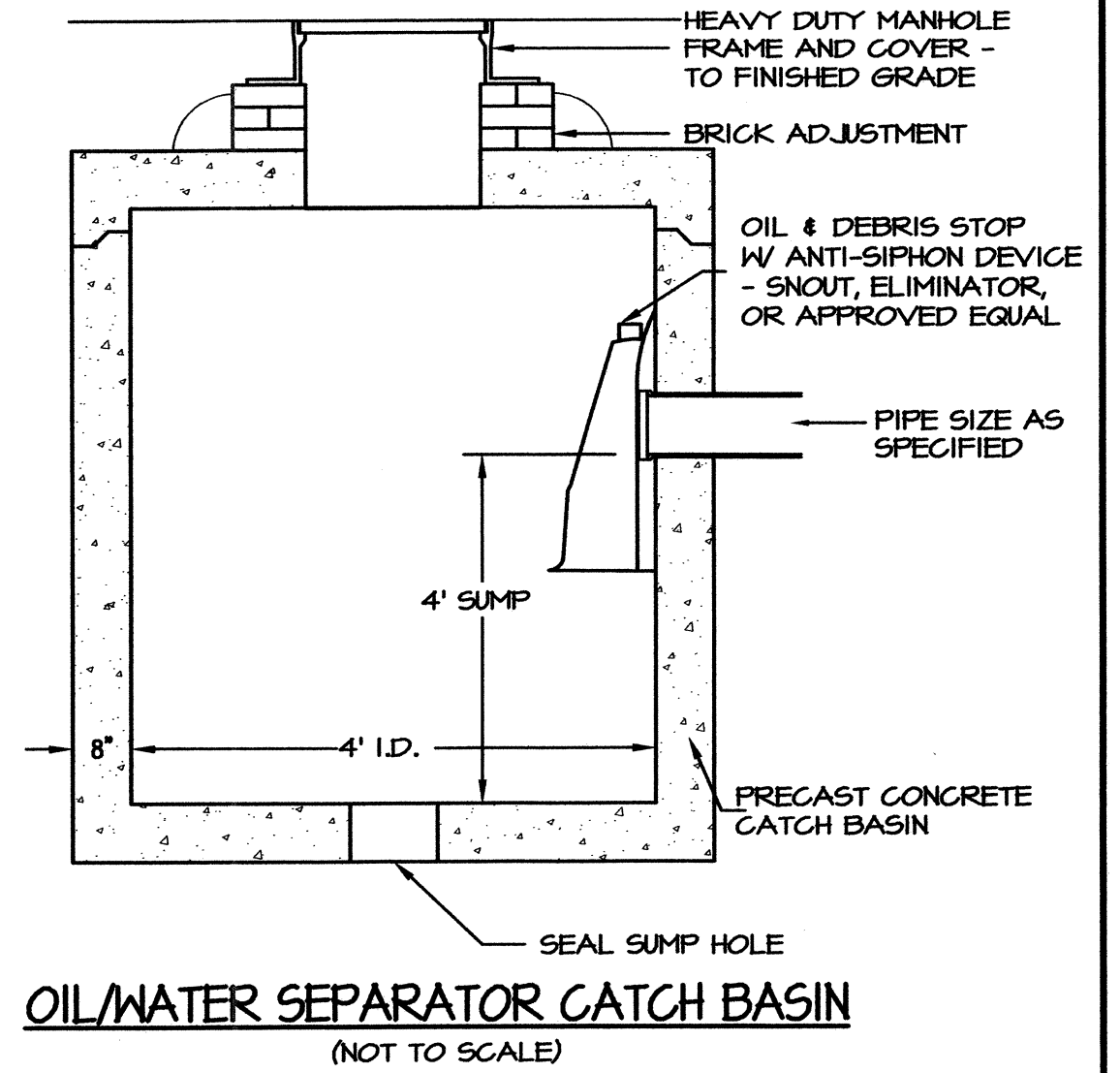
**MANHOLE DETAIL**  
NOT TO SCALE

- GENERAL NOTES:**
1. REIN. STEEL TO CONFORM WITH LATEST ASTM A 105.
  2. PRECAST CONCRETE TO CONFORM WITH ASTM C478 SPEC. FOR "PRECAST REINFORCED CONCRETE MANHOLE SECTIONS."
  3. CONCRETE COMPRESSIVE STRENGTH - 4000 PSI MINIMUM.
  4. MANHOLE COVERS TO BE MARKED "SEWER" OR "DRAIN", AS APPLICABLE.

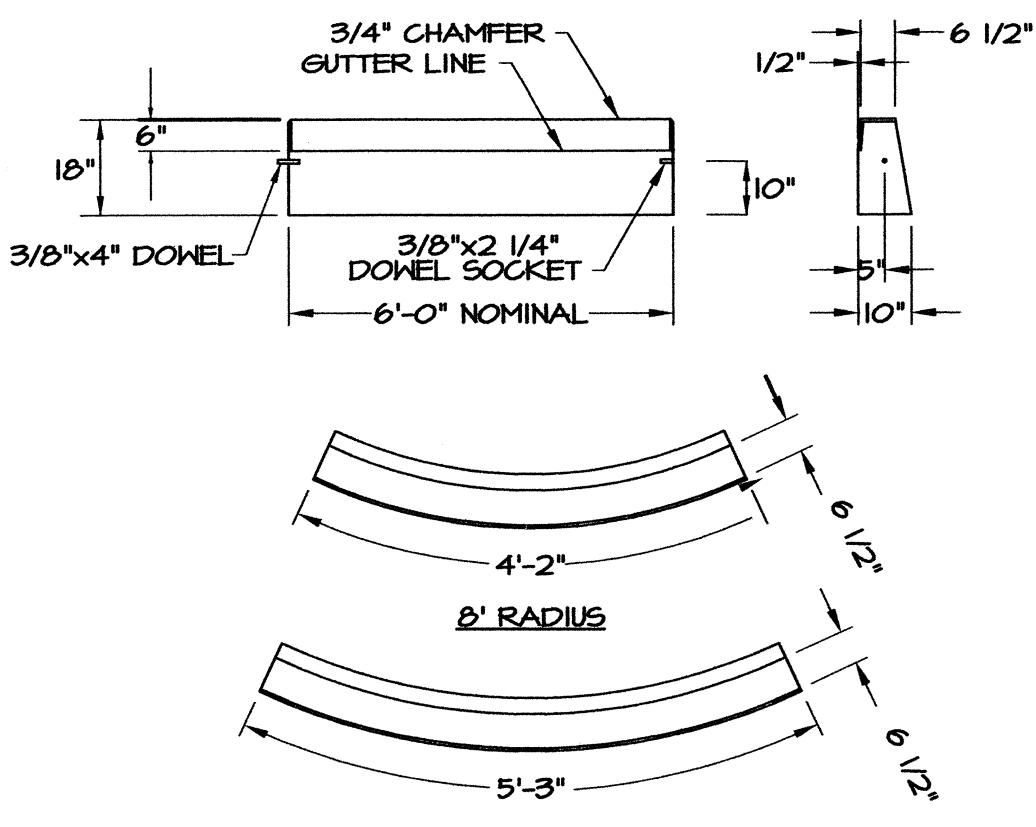


**ALTERNATIVE MANHOLE DETAIL**  
NOT TO SCALE

- GENERAL NOTES:**
1. REIN. STEEL TO CONFORM WITH LATEST ASTM A 105.
  2. PRECAST CONCRETE TO CONFORM WITH ASTM C478 SPEC. FOR "PRECAST REINFORCED CONCRETE MANHOLE SECTIONS."
  3. CONCRETE COMPRESSIVE STRENGTH - 4000 PSI MINIMUM.
  4. MANHOLE COVERS TO BE MARKED "SEWER" OR "DRAIN", AS APPLICABLE.

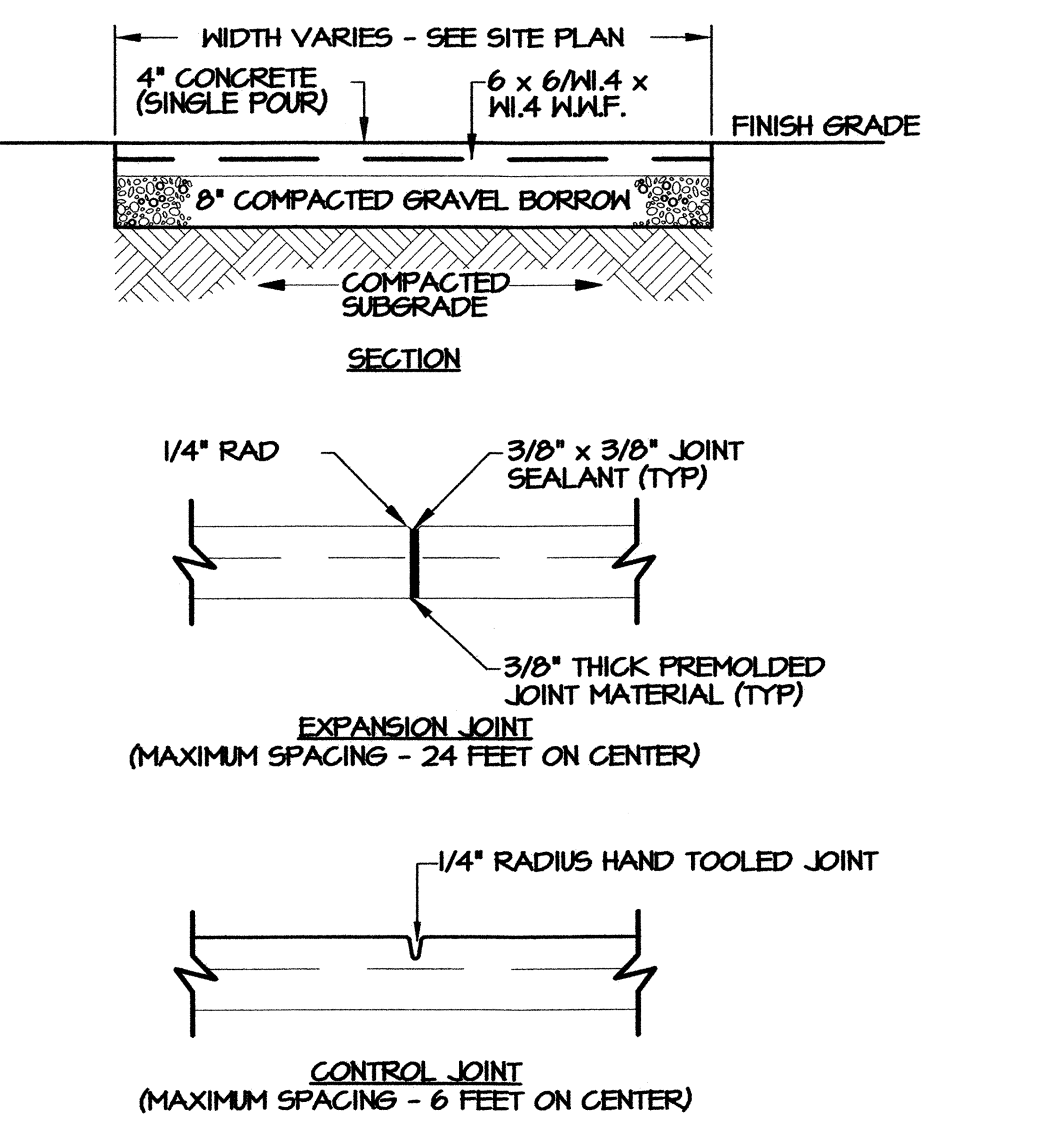


**OIL/WATER SEPARATOR CATCH BASIN**  
(NOT TO SCALE)

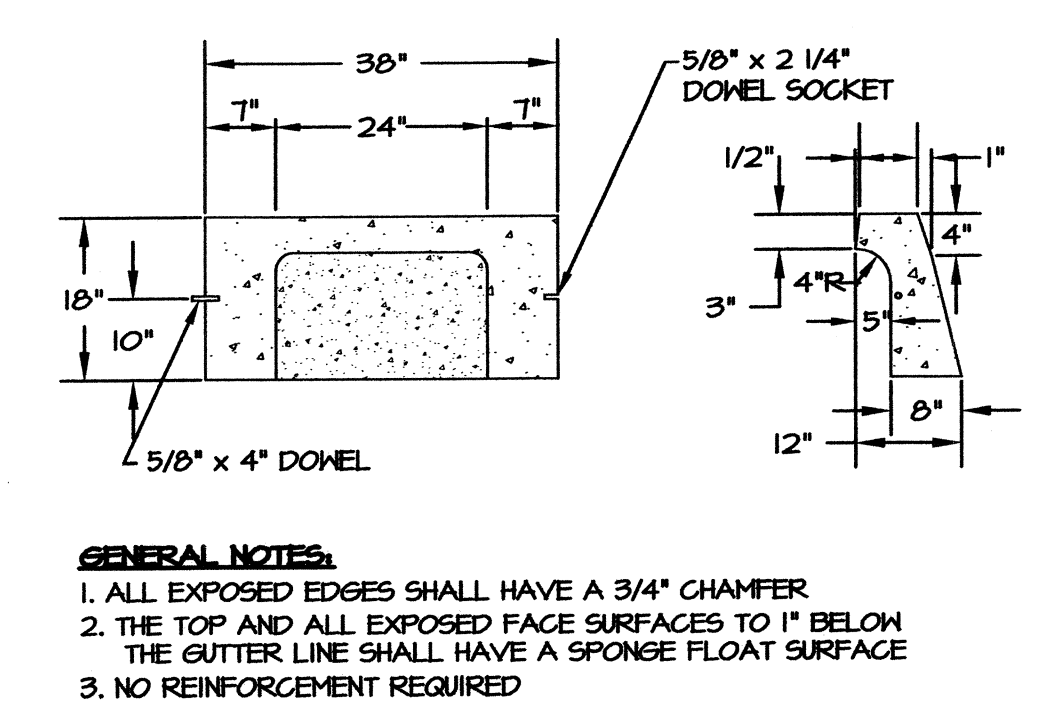


- GENERAL NOTES:**
1. ALL PRECAST CURB TO BE RIDOT STANDARD.
  2. MINIMUM LENGTH OF STRAIGHT OR CIRCULAR FILLER PIECES TO BE 4'-0".
  3. EXPOSED SURFACES TO HAVE A SPONGE FLOAT FINISH.
  4. CIRCULAR CURB IS REQUIRED FOR CURVES WITH A RADIUS OF 160 FT. OR LESS. STRAIGHT CURB TO BE USED FOR CURVES WITH A RADIUS GREATER THAN 160 FT.

**PRECAST CONCRETE CURB**  
NOT TO SCALE

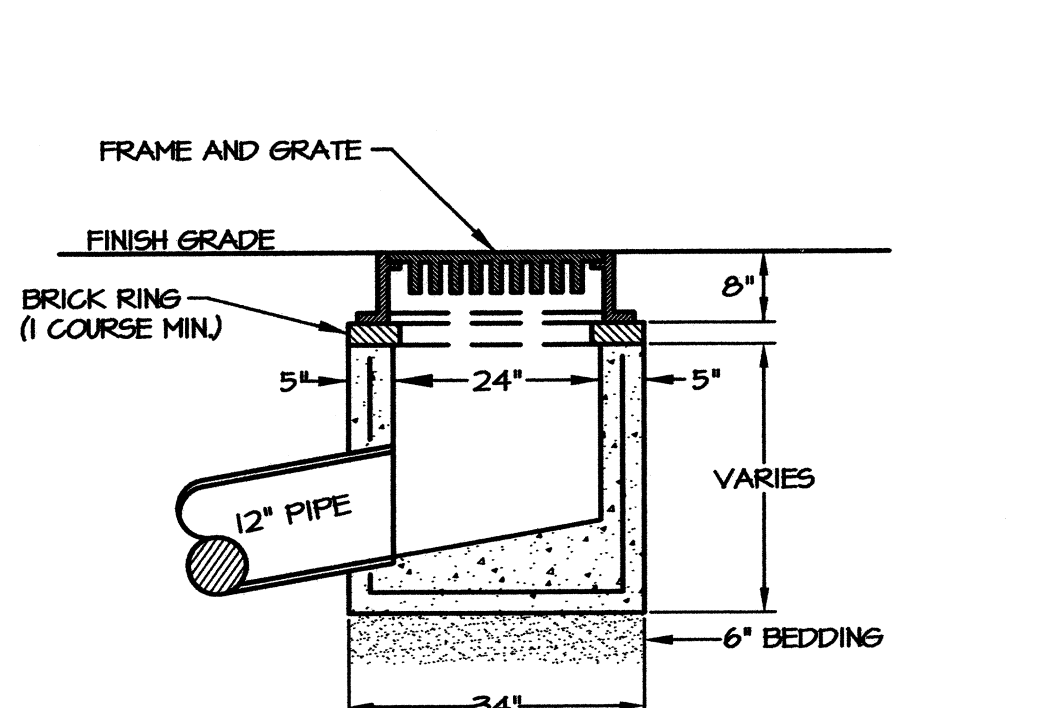


**CONCRETE SIDEWALK DETAIL**  
NOT TO SCALE  
CONCRETE TO BE 4000 PSI. @ 28 DAYS

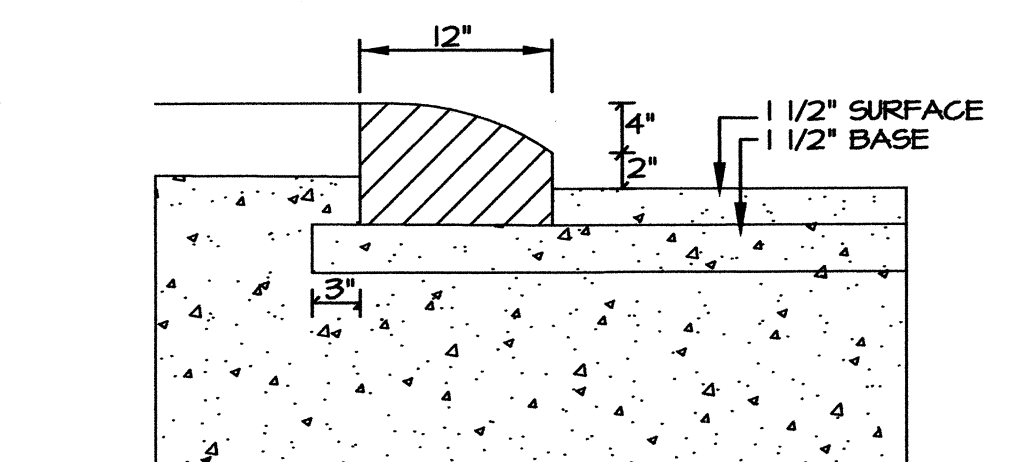


**PRECAST CONCRETE APRON STONE**  
NOT TO SCALE

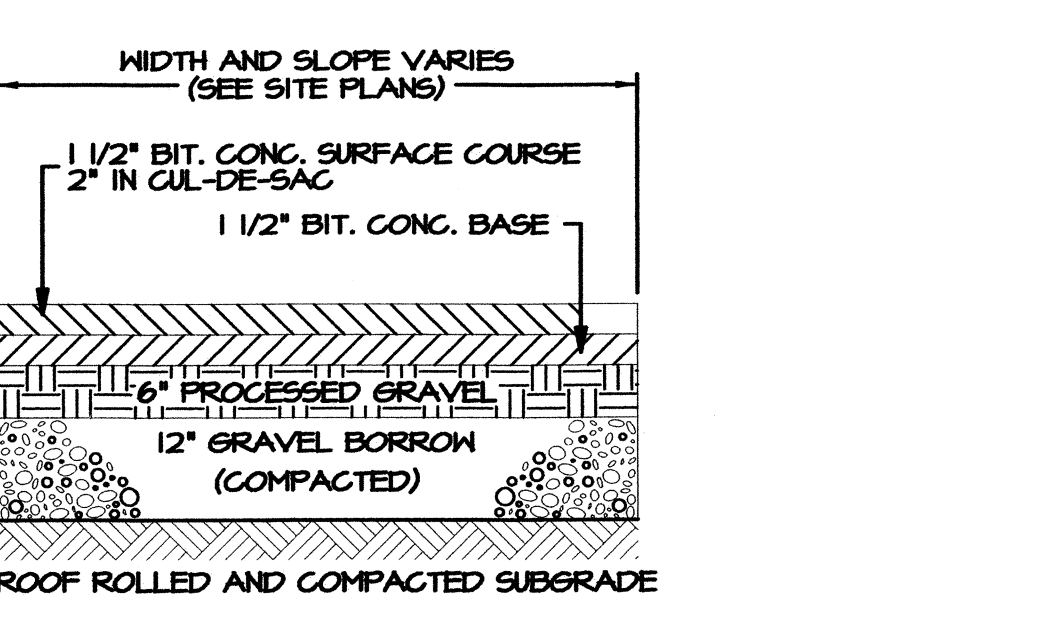
- GENERAL NOTES:**
1. ALL EXPOSED EDGES SHALL HAVE A 3/4" CHAMFER
  2. THE TOP AND ALL EXPOSED FACE SURFACES TO 1" BELOW THE GUTTER LINE SHALL HAVE A SPONGE FLOAT SURFACE
  3. NO REINFORCEMENT REQUIRED



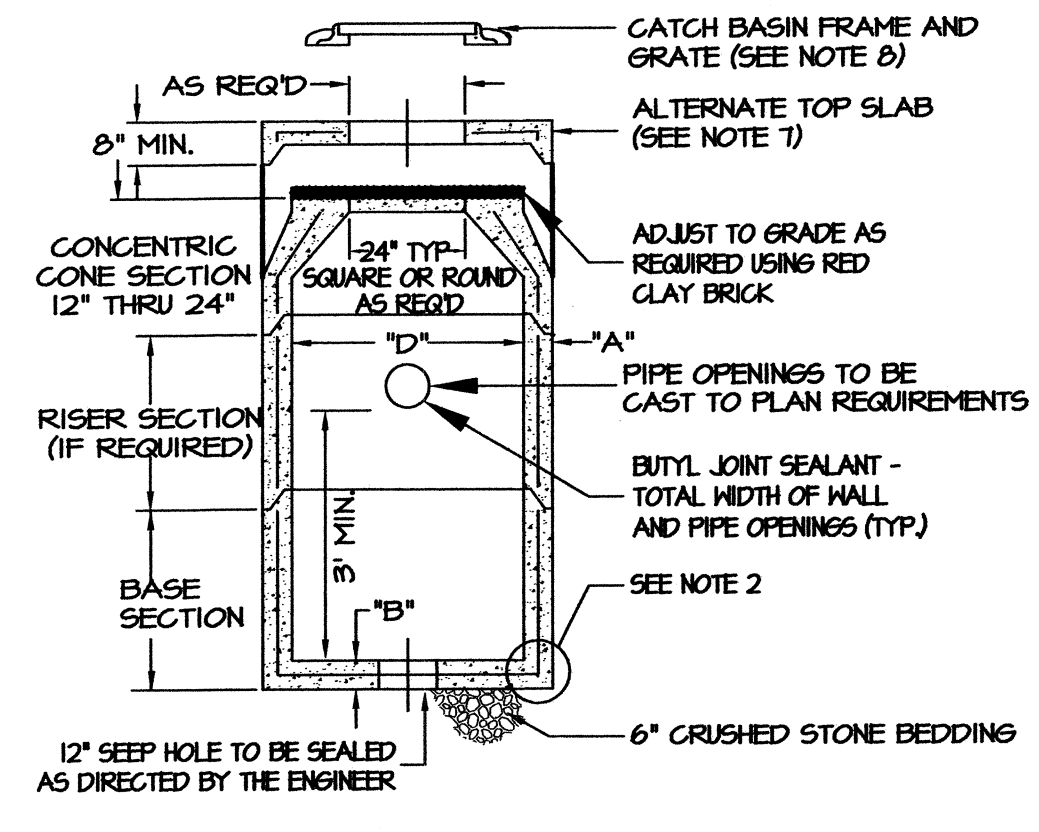
**PRECAST CONCRETE DROP INLET**



**BIT. BERM DETAIL**  
SCALE 1" = 1'-0"



**BITUMINOUS CONCRETE PAVEMENT DETAIL**  
(NOT TO SCALE)



- GENERAL NOTES:**
1. ALL REINFORCING STEEL MUST CONFORM TO THE LATEST ASTM A105 AND/OR A615 GRADE 60. SEE TABLE 1 FOR STEEL REINFORCEMENT REQUIREMENT.
  2. STEEL REINFORCEMENT FOR BASE SECTION BOTTOM SHALL BE A MIN. OF 0.12 SQ. IN LINEAL FOOT (BOTH WAYS).
  3. CATCH BASIN SPECS. MUST CONFORM TO THE LATEST ASTM C478 SPEC. FOR "PRECAST REINFORCED CONCRETE MANHOLE SECTIONS"
  4. MONOLITHIC BASE SECTION TO BE ONE POUR.
  5. ANY NECESSARY ADJUSTMENTS DURING CONSTRUCTION WILL BE DONE BY SAW-CUTTING AND/OR CORING ONLY. NO JACKHAMMERS, HAMMERS, CHISELS OR PNEUMATIC TOOLS WILL BE ALLOWED.
  6. CORBEL MADE OF RED CLAY BRICK WILL BE PERMITTED FOR THE "CONE SECTION" OF THE CATCH BASIN ONLY.
  7. ALTERNATE SLAB IS STEEL REINFORCED TO MEET OR EXCEED H-25 LOADING
  8. A PRECAST CONCRETE APRON STONE WITH A 3 FLANGE CATCH BASIN FRAME AND GRATE MAY BE REQUIRED (SEE SITE PLAN).

TABLE 1			
CATCH BASIN DIAMETER "D"	"A"	"B"	CIRCUMFERENTIAL STEEL REINFORCEMENT REQUIRED *
4'-0"	5"	6"	0.12 SQ. IN LINEAL FT.
5'-0"	6"	7"	0.15 SQ. IN LINEAL FT.
6'-0"	7"	8"	0.18 SQ. IN LINEAL FT.

\* FOR LONGITUDINAL (VERTICAL STANDING) REINFORCEMENT REFER TO ASTM C478 ITEM 8.1.2

**PRECAST CONCRETE CATCH BASIN DETAIL**  
NOT TO SCALE

**DETAIL SHEET NO. 1**  
**GREENBRIER CONDOMINIUMS**  
PREPARED FOR  
**RI SEEKONK HOLDINGS, LLC**  
FALL RIVER AVENUE & COLE STREET  
SEEKONK, MASSACHUSETTS

DATE  
August 31, 2009

SHEET  
17 OF 21

**CAPUTO AND WICK LTD.**

1150 PAWTUCKET AVE.  
RUMFORD, R.I. 02916  
401-434-8880