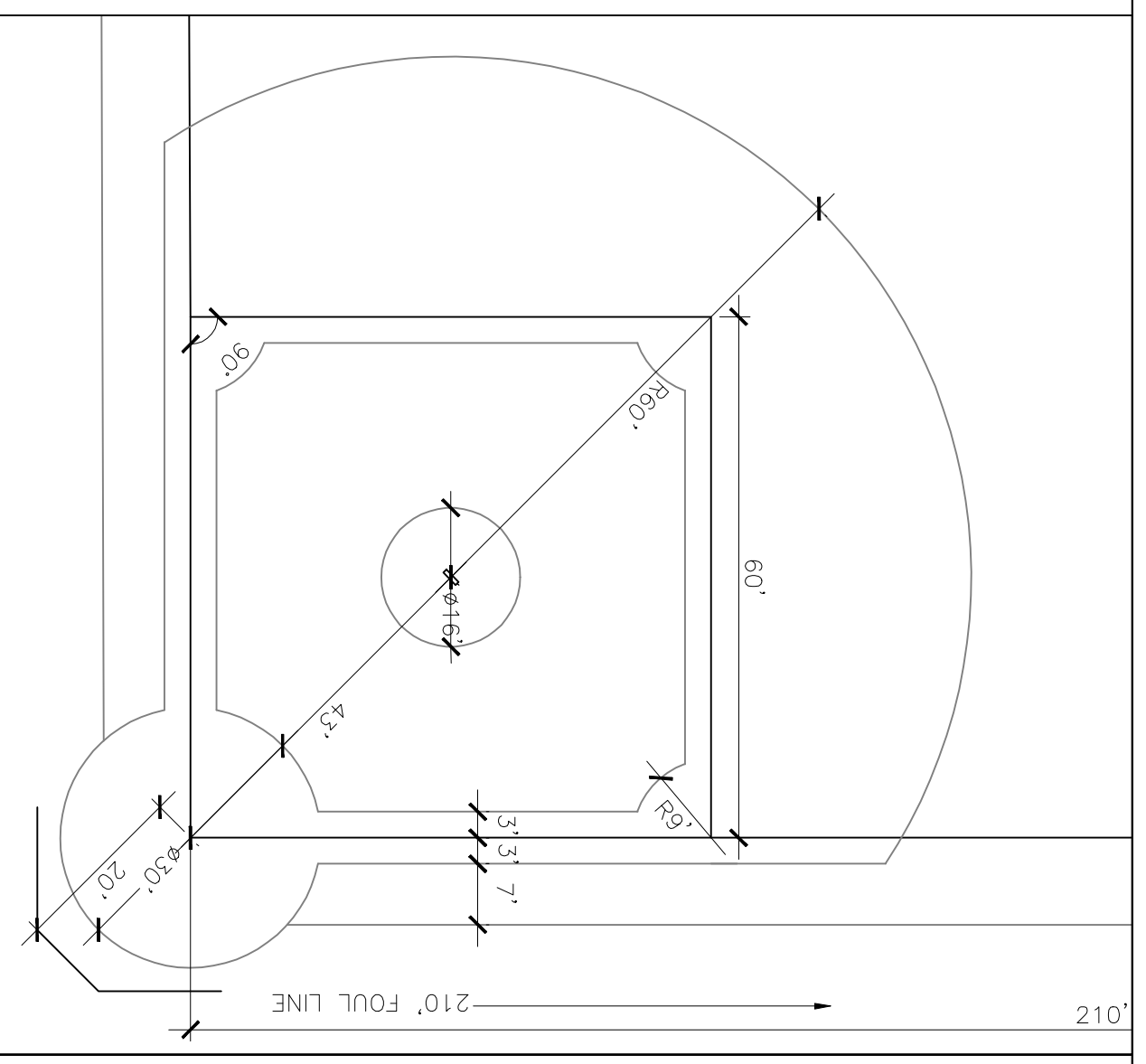
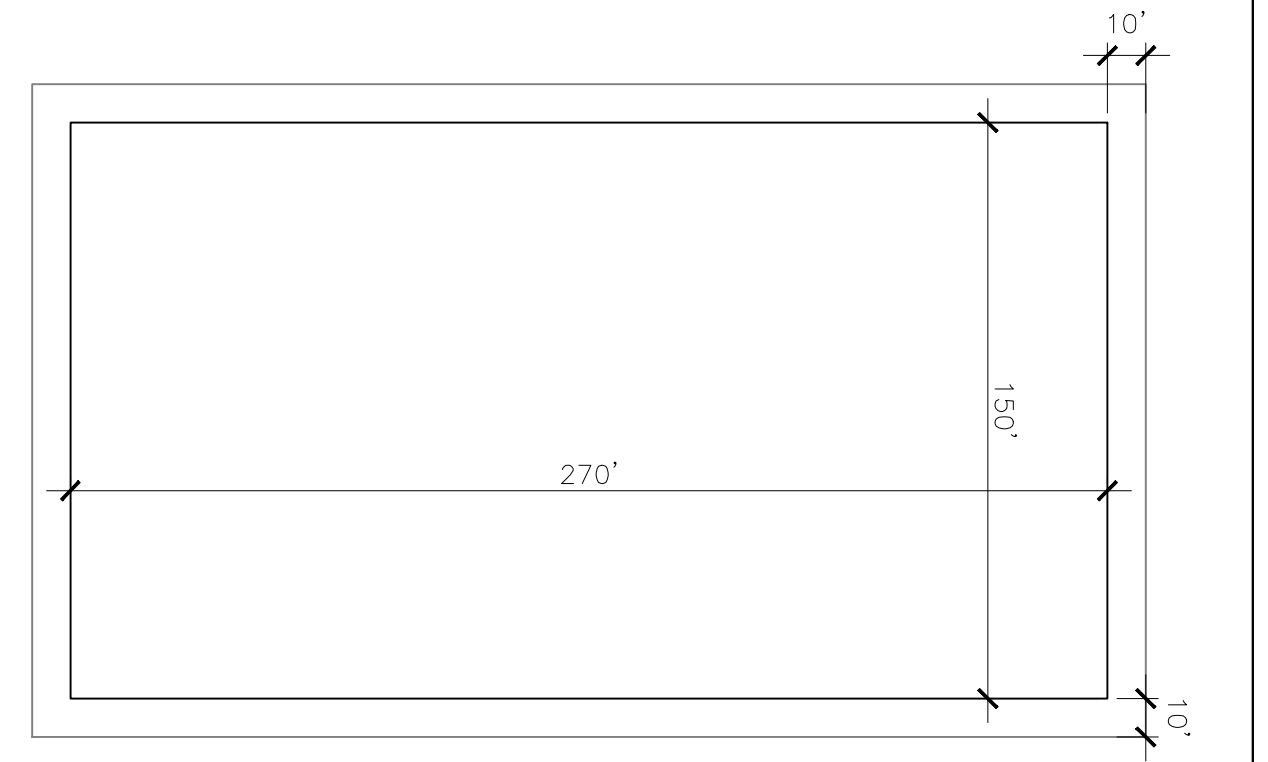


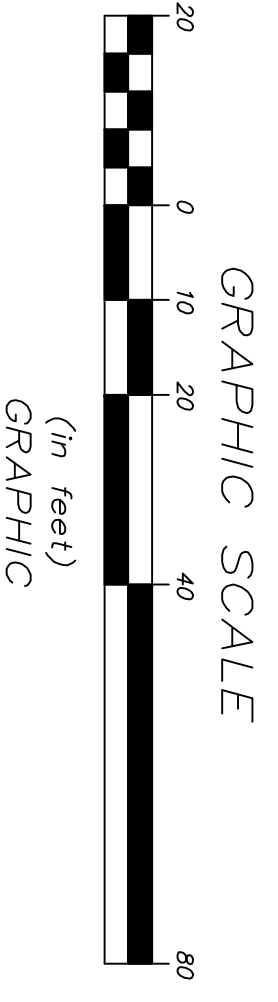
SOFTBALL LAYOUT scale 1"=20'-0"



SOCCER LAYOUT scale 1"=50'-0"



- LEGEND**
- 83 --- EXISTING CONTOUR
 - HYDRANT
 - WETLAND FLAG
 - STAKE FOUND
 - WOOD STAKE FOUND
 - EXISTING TREELINE
 - EXISTING SPOT GRADE 83.3
 - 100' WETLAND BUFFER
 - LIMIT OF WORK
 - HAYBALE LINE
 - 200' RIVERFRONT BUFFER
 - 4" DEPTH INFILLED MIX OVER 6" COMPACTED GRAVEL BASE
 - NOTE: BACKSTOP, SEEDING & BARS BY OWNERS



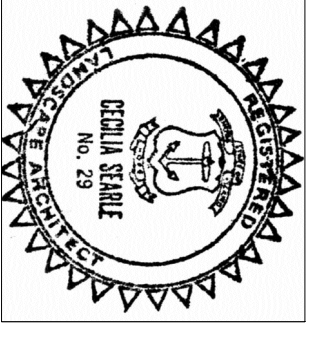
SITE PLAN

THE WHEELER SCHOOL FARM

350 Walker Street Seekonk MA 02771 PLAT 23 LOT 12
 THE WHEELER SCHOOL 216 Hope Street Providence RI 02906 401.421.8100
 Gary Espisito ext 173

DATE: 02/20/08
 SCALE: 1"=20'-0"
 DESIGNED BY: CS
 CHECKED BY: CS
 JOB NUMBER: XXXX
 FIELD BOOK #: XXX
 SHEET NO. 2 OF 2
 DRAWING NO. L-2.0

PLAN REVISIONS		
NO.	COMMENTS	DATE



SEARLE AND SEARLE
 landscape architects and planners
 50 Forest Street Providence RI 02906
 p 401-272-5782 f 401-861-2357
 searleandsearle@cox.net www.searleandsearle.com
 Cecilia Searle

CONSTRUCTION SET