

Pump Division

146 Duchaine Blvd., New Bedford, MA 02745-1292 Tel (508) 995-9711 Fax (508) 995-5021 E-Mail: pumps@edsonintl.com

Edson
INTERNATIONAL

286EP SERIES PERISTALTIC PUMP

Features:

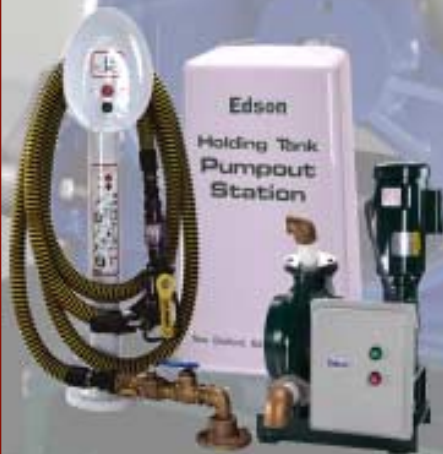
- Up to 40GPM
- Handles up to 60% suspended solids
- Self Priming
- 65ft Head 27ft suction lift
- Easy Maintenance

Applications:

- Waste Slurry Transfers
- Grease Interceptors
- Oil, Water, Coolant Sump Draining
- Marine / Recreational Pump-Outs
- Pit Dewatering
- Your Application ?



286EP Pump

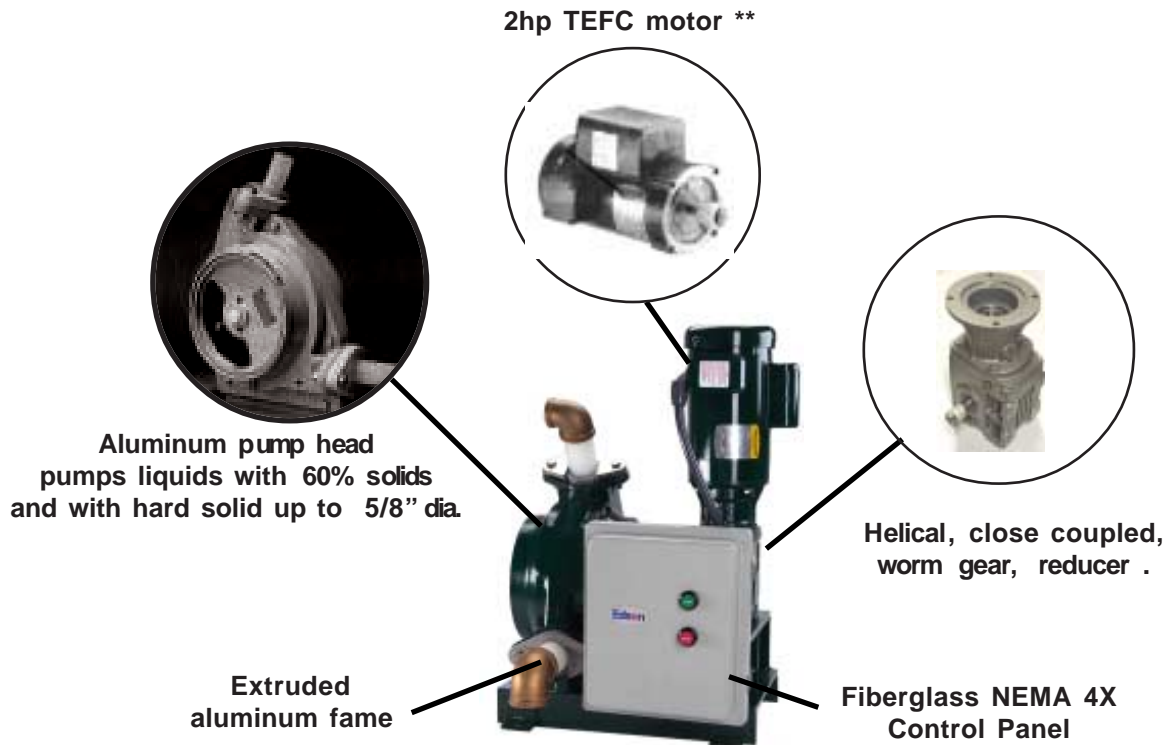


286EP-40



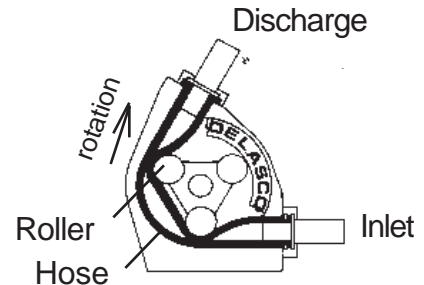
282EP-40

General Construction:



How It Works:

As the pump rotates, the rollers compress the hose. The roller travels along the hose moving the solution ahead to the discharge outlet. The hose expanding behind the roller creates a vacuum drawing more solution into the pump. Creating up 27ft of dry suction lift.



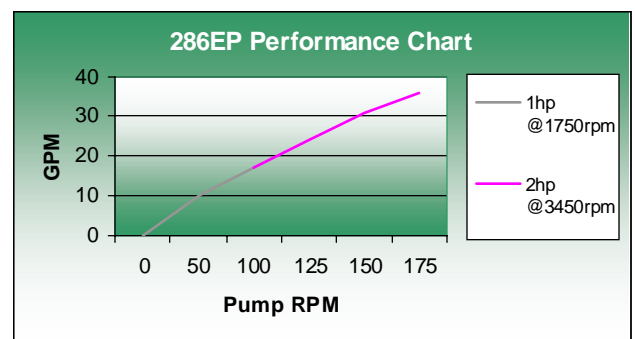
Advantages:

The advantages of this design are no valves to clog, no solution contacting moving parts, run dry capability, and no seals to leak.

Discharge Head: 65ft
Suction Head: 27 ft

Motor Options:

- 2 HP @3450rpm (Pump Out Stations)
 - 120/220V 1ph
 - 240/480V 3ph
 - 12V DC
- 1 HP @1750rpm (Pump Out Carts)
 - 120/220V 1ph
 - 240/480V 3ph
 - 12V DC



**Other motor options are available including special electrical requirements and gasoline powered units.

High Performance Pumping Station 286EP-40



286EP-40

Shown with optional bronze hydrant

The 286EP Peristaltic Pump is ideally suited for pumping slurries such as sewage and waste waters from marinas, recreational areas and collection sumps.

286EP-40 Pump Out Station includes:

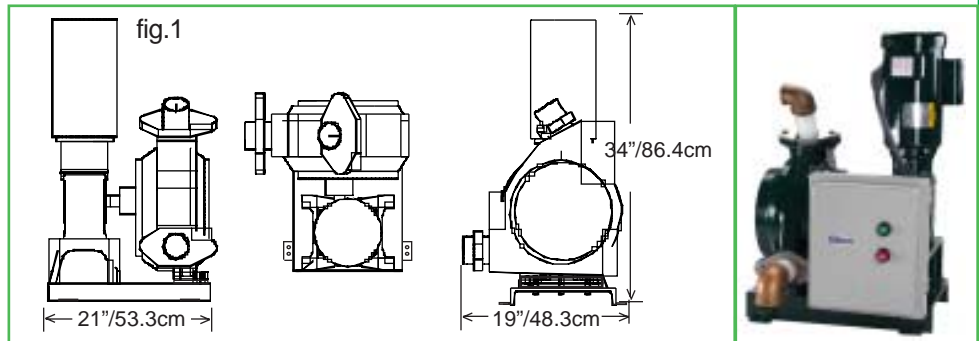
- Peristaltic Pump
- Fiberglass Cover *(Optional Stainless Steel)
- White powder coated hose stand *(Optional Stainless Steel)
- Timer control panel with "auto off"
- 24Volt safety control circuit
- 25' x 1 1/2" dia. hose assembly which includes:
- 90° ball valve
- Set of (4) four deck / drain adapters
- Sightglass check valve

* For Pump Out System With Optional Stainless Steel Components Use Order No. 286EP-40SS

Dimensions & Specifications:

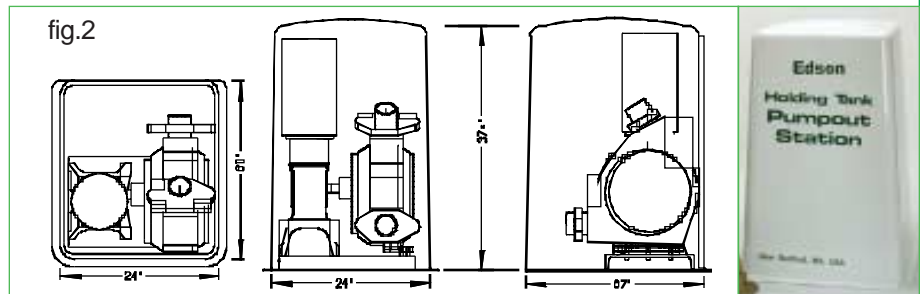
Pump Assembly:

2hp/1ph/110-220v/60hz/tefc motor and a 20 to 1 ratio gear reducer coupled to a 35 gpm peristaltic pump. All arranged on a painted aluminum frame with 4 mounting flanges.



Pump Cover: White Fiberglass and Pump Out Sign. fig.2

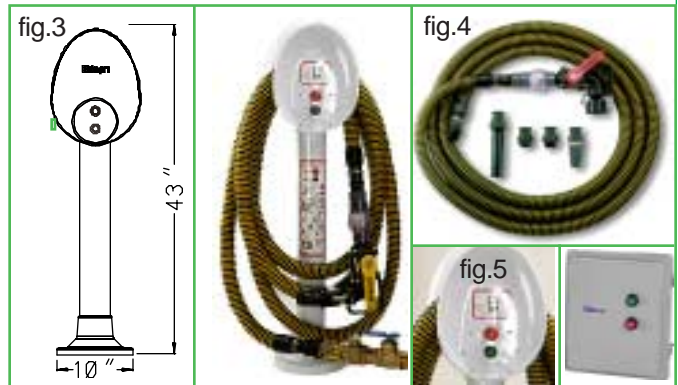
Optional Stainless Steel Cover - see drawing



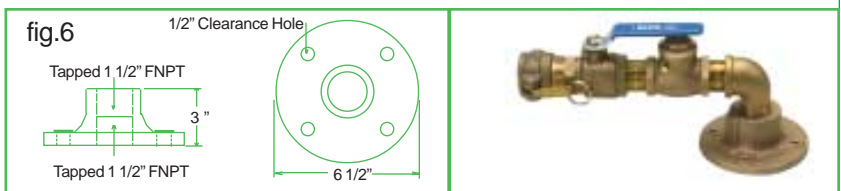
Hose Stand: White Powder Coated Aluminum with Start/Stop Buttons Installed, Operation Instructions Sign and (4) 1/2" X 6" Aluminum Hex Head Mounting Bolts. fig.3 Optional Stainless Steel Stand and Key Switch. - Ask for details.

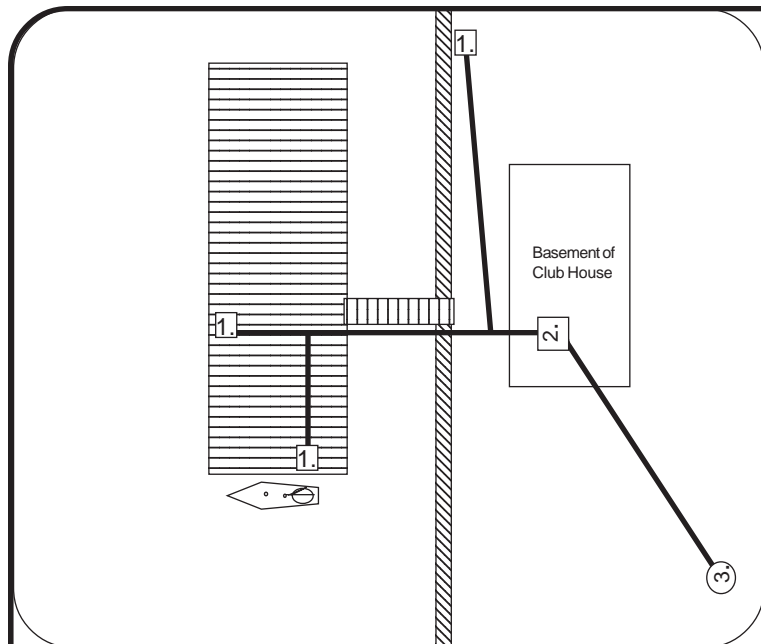
Hose Assembly: 25' X 1 1/2" Polyflex Hose, 90° Ball Valve, Sight Glass/Check Valve, Quick Clamp Adapter, Complete Set of Deck Adapters. fig.4

Control Panel with Timer and 24 Volt Remote Stop/Start: Nema 4x fiberglass enclosure with 120/240 volt to 24 volt transformer, a 2hp contact, a timer relay to automatically shut off the pump after a selected time and a set of Stop/Start Switchs that operate on 24 volt for safety. Optional key switch is available. - Ask for details

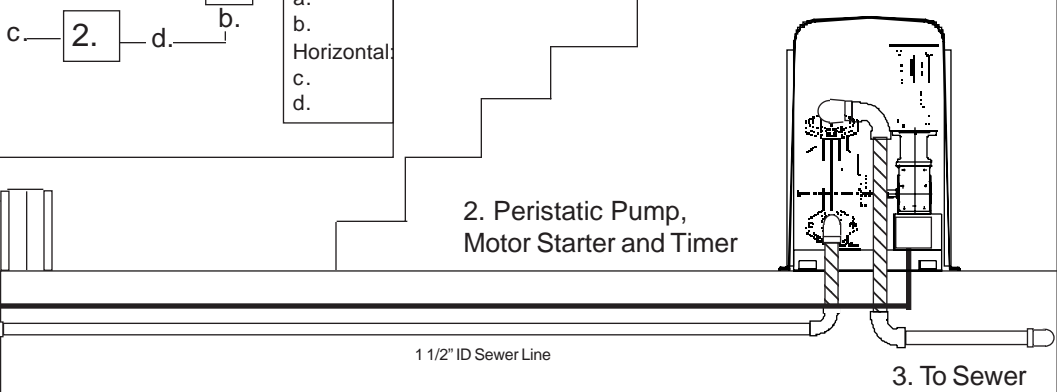
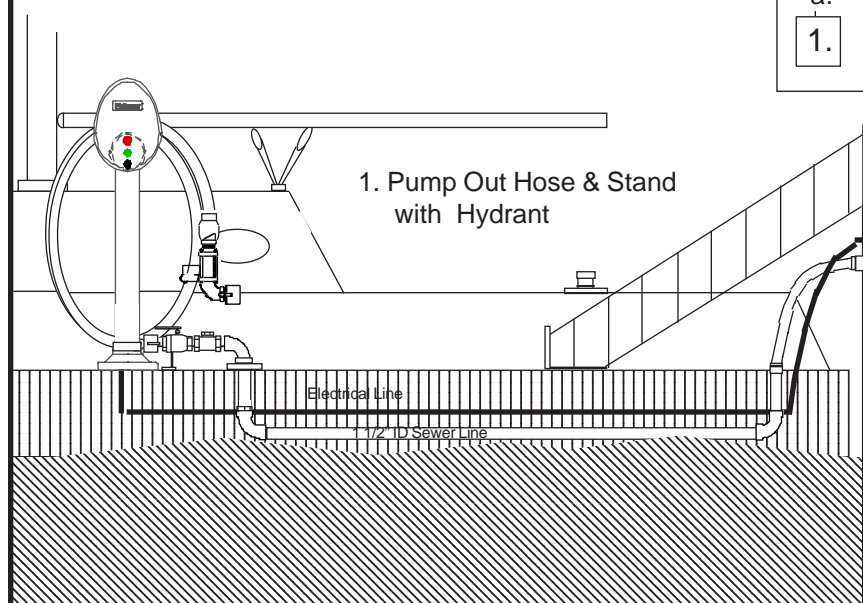
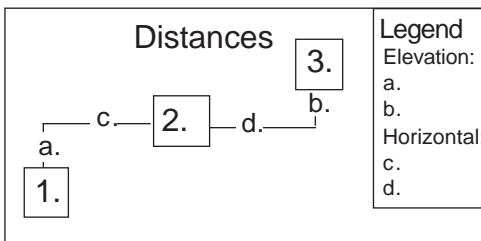


Hydrant (Optional): 1 1/2" Bronze Check Valve, Bronze Ball Valve and Quick Clamp Hose Adapter with Bronze Elbow and Close Nipple with Bronze Mounting Flange. fig.6 Order No. 270BR-150





286EP-40
Shown With Optional Hydrant
270BR-150



All dimensions are approximate.
Should **not** be used for Contractor estimating.