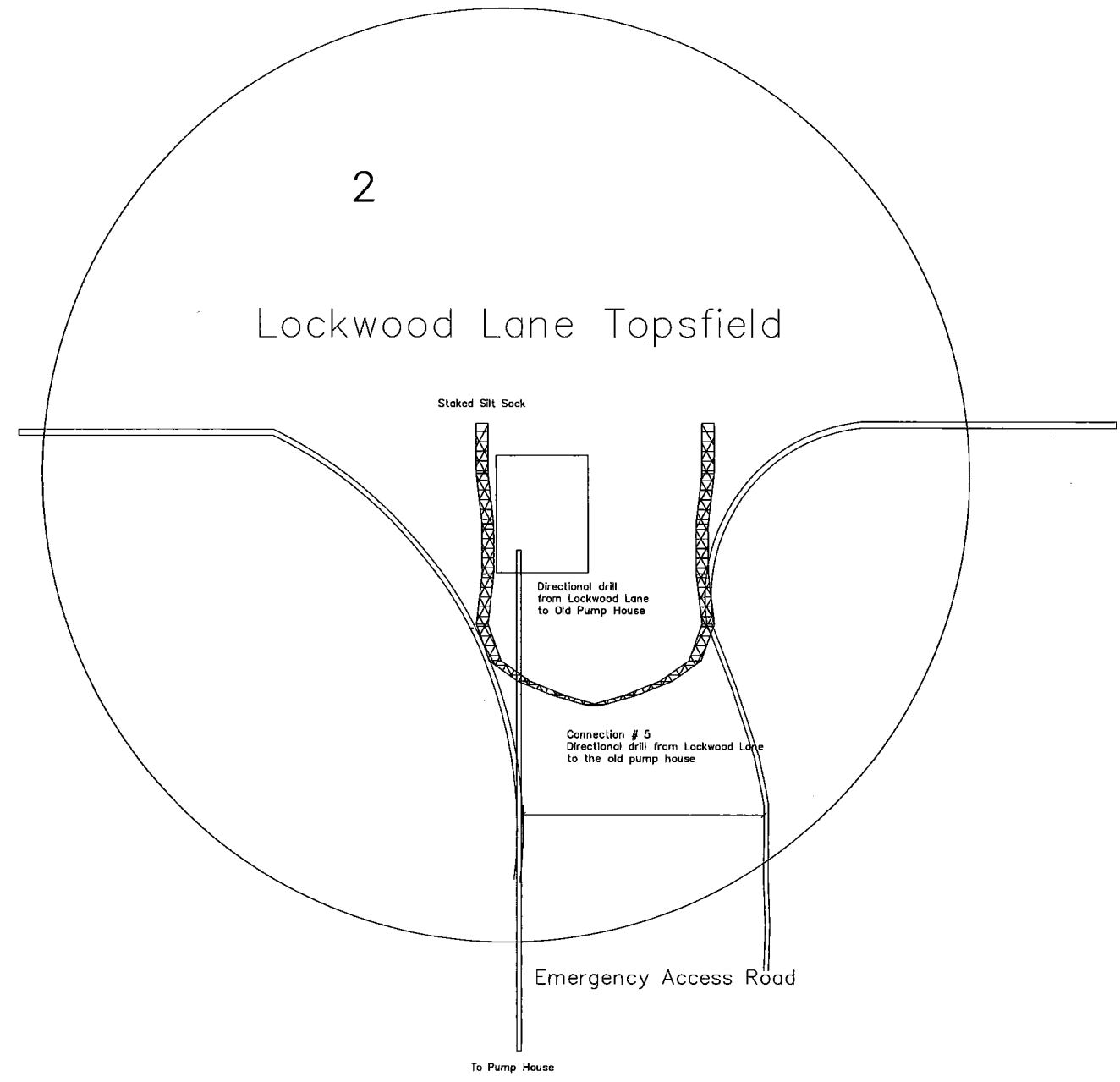
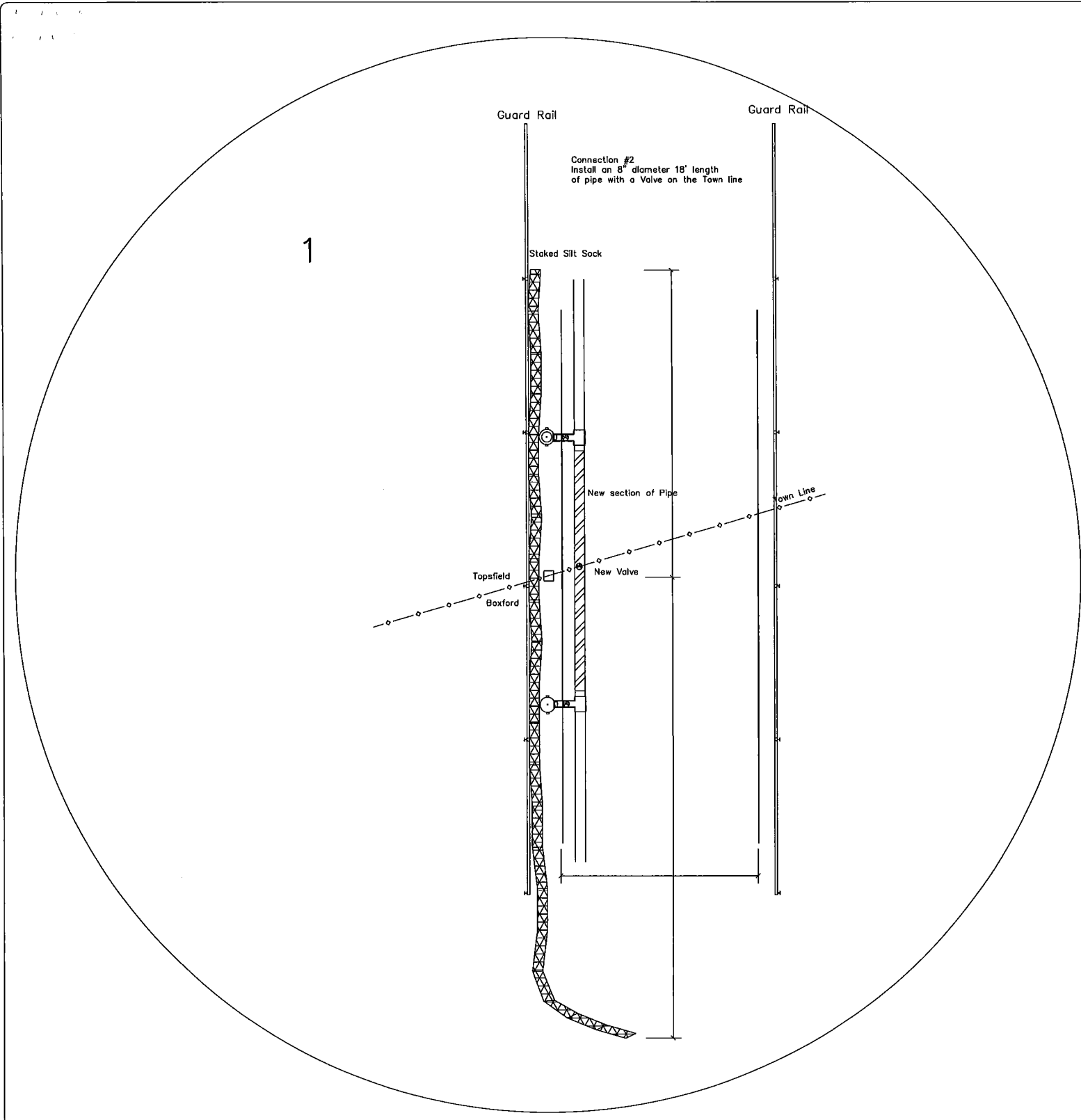


Scale:
 Scale 1/4"=1'
 0 1 2 3 4 5 6 7 8 9 10

Andrews Farm Water Co. Inc
 At town line and emergency access road
 Connection to Topsfield Water
 July 2016
 AFWCBoxford@aol.com

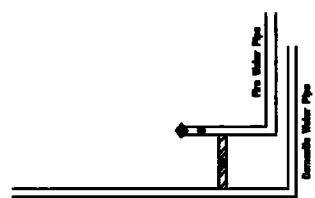
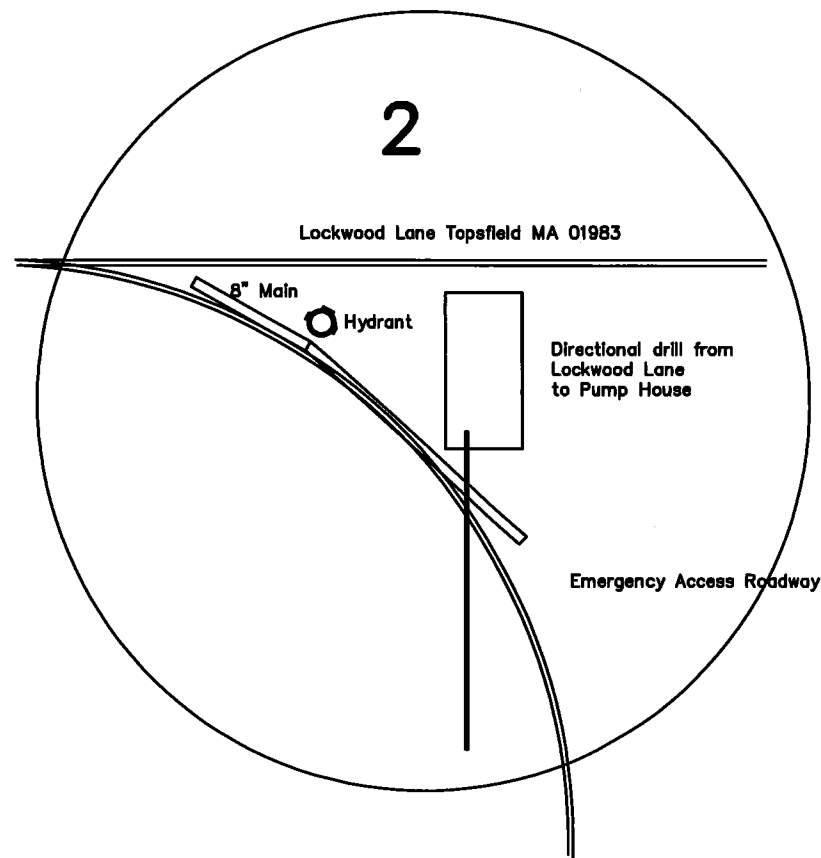
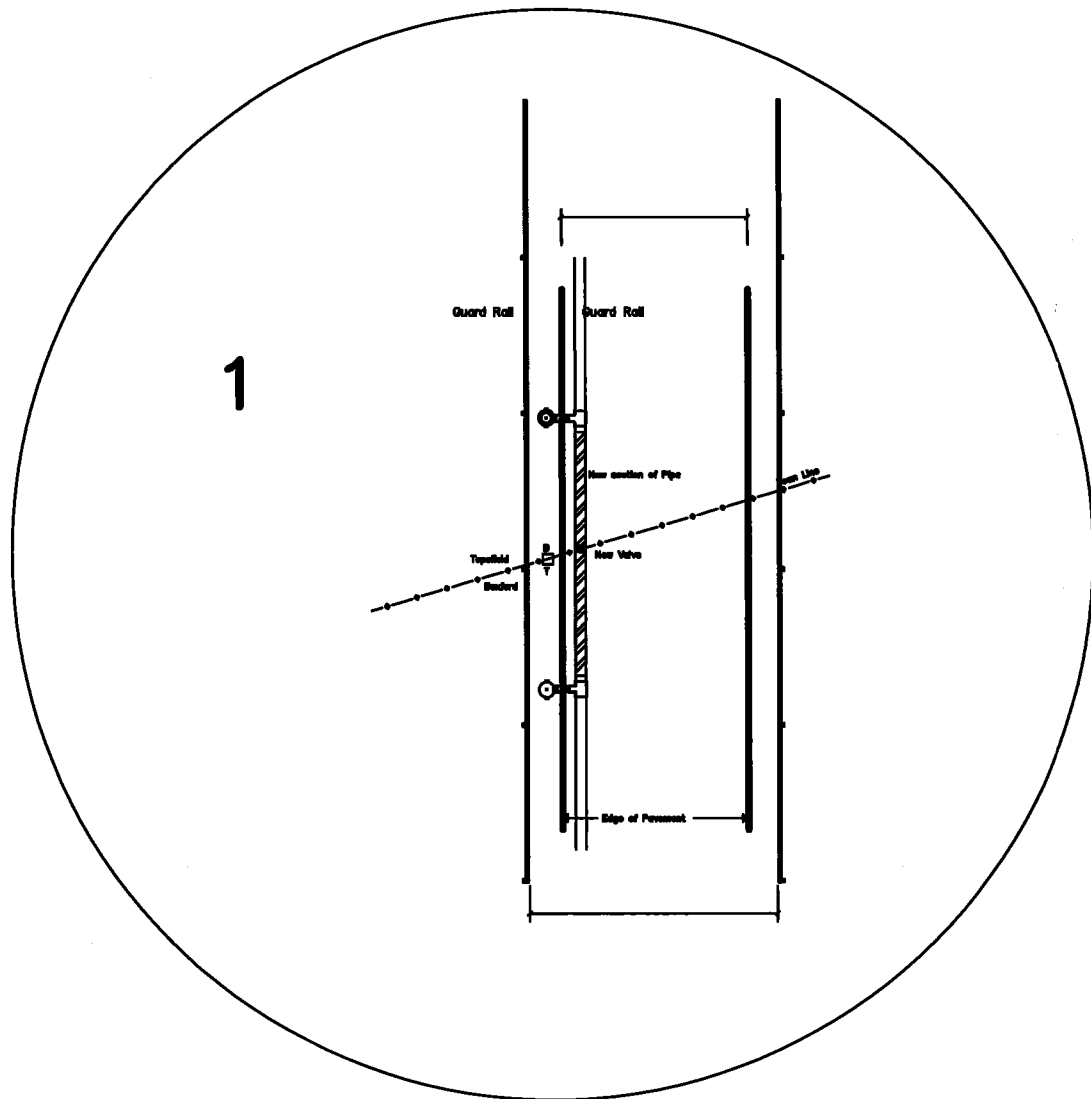
Water Connection Options



Scale:
Scale 1/4"=1'
0 1 2 3 4 5 6 7 8 9 10

Andrews Farm Water Co. Inc
At town line and emergency access road
Connection to Topsfield Water
July 2016
AFWCBoxford@aol.com

Water Connection Options



Scale:

Project Name and Location
 Andrews Farm Water Co. Inc
 Connection to Topsfield Water
 July 2018
 AFWCBoxford@aol.com

Water Connection Options

