

**Active Data Layers**

Check all	Uncheck all	Remove all
<input checked="" type="checkbox"/>	<input type="checkbox"/>	<input type="button" value="Remove all"/>
<input checked="" type="checkbox"/>	<input type="checkbox"/>	
<input checked="" type="checkbox"/>	<input type="checkbox"/>	
<input type="checkbox"/>	<input type="checkbox"/>	
<input checked="" type="checkbox"/>	<input type="checkbox"/>	
<input type="checkbox"/>	<input type="checkbox"/>	
<input checked="" type="checkbox"/>	<input type="checkbox"/>	

**Legend**

**DEP Wetlands Change**

- Photo Year 2001 and 2003
- Photo Year 2005
- Photo Year 2008 and 2009  
Wetland Change ID
- Photo Year 2011 and 2012  
Wetland Change ID

**DEP Wetlands Arcs**

- SHORELINE
- HYDROLOGIC CONNECTION
- MEAN WATER LINE
- APPARENT WETLAND LIMIT
- CLOSURE LINE
- EDGE OF INTERPRETED AREA

**DEP Wetlands**

**HA**  
**Huntress Associates, Inc.**  
 Landscape Architecture & Land Planning  
 17 Tewksbury Street  
 Andover, Massachusetts 01810  
 978 470 8882 FAX 978 470 8890

Project:  
**BOY SCOUT PARK**  
 Buxford, Massachusetts

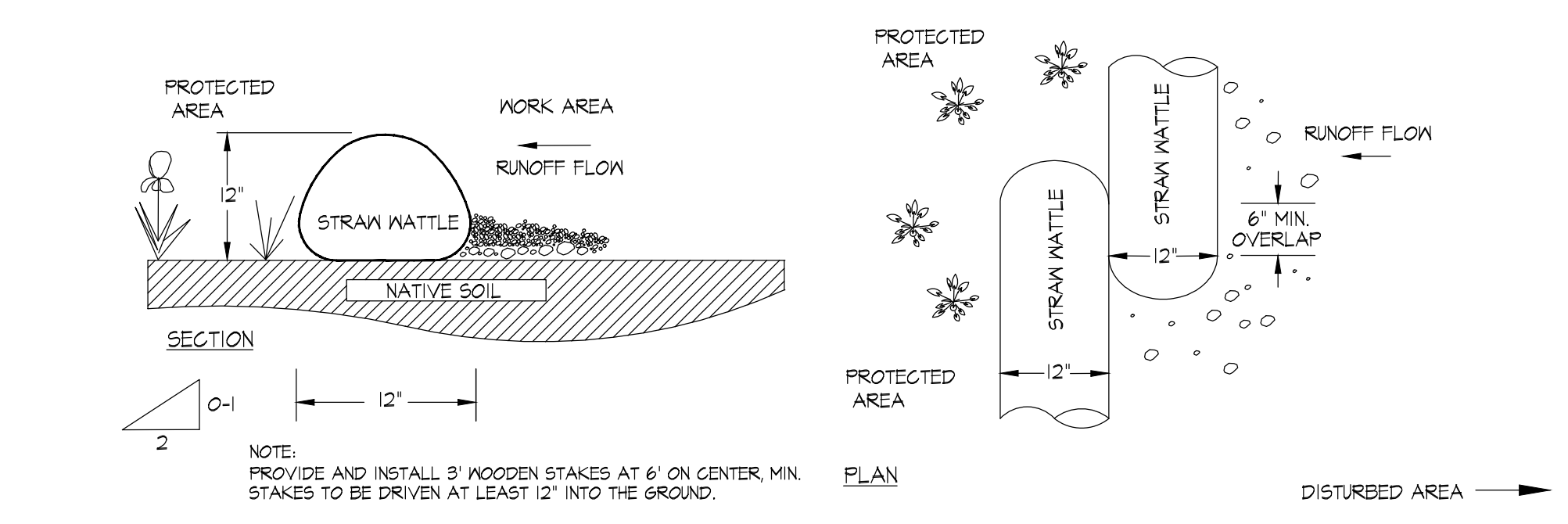
**SCOPE OF WORK**

- REPAIR AND MAINTAIN EXISTING BASEBALL INFIELD
- REMOVE GRASS THROUGHOUT INFIELD AREA & EDGE ALONG INFIELD/OUTFIELD TRANSITION TO LIMITS SHOWN. RAKE, DRAG AND TURN OVER EXISTING INFIELD MIX IN PLACE. ADD INFIELD MIX AS REQUIRED. TOPDRESS WITH TURFACE MVP, OR SIMILAR INFIELD TOPDRESS MATERIAL.
- RESEED ALL DISTURBED AREAS, INCLUDING INFIELD AND OUTFIELD LOCATIONS.
- PROVIDE STRAW WATTLES AT 25' WETLAND BUFFER ZONE, OR AS OTHERWISE DIRECTED BY THE BOXFORD CONSERVATION COMMISSION IN THE FIELD.
- PROTECT AND MAINTAIN EXISTING STREAM AREA THROUGHOUT CONSTRUCTION.

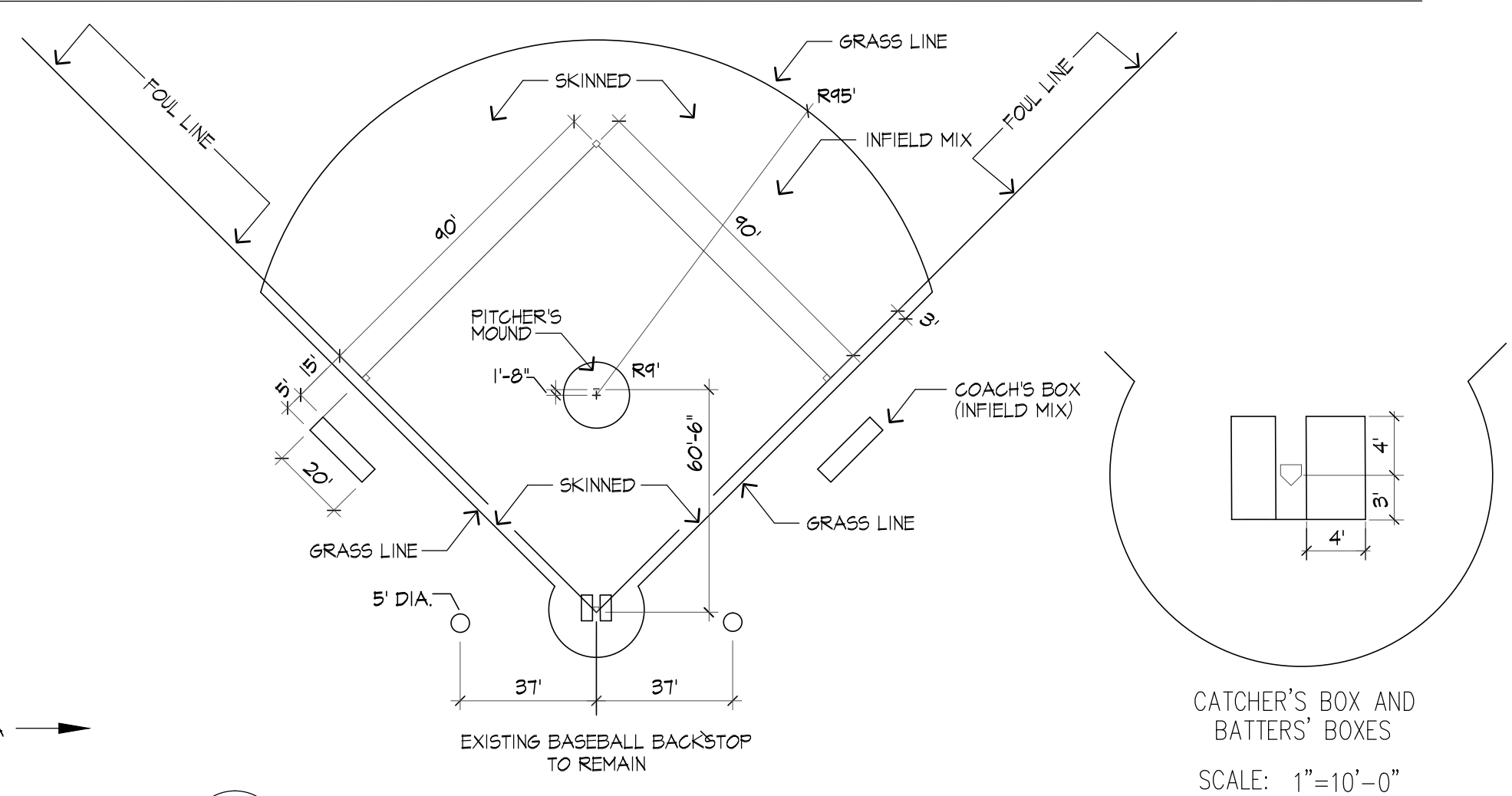
Drawing Title:  
**Infield Maintenance  
 Scope of Work**

**1** BOY SCOUT PARK - INFIELD MAINTENANCE LIMIT OF WORK  
 SCALE: 1"=40'-0"

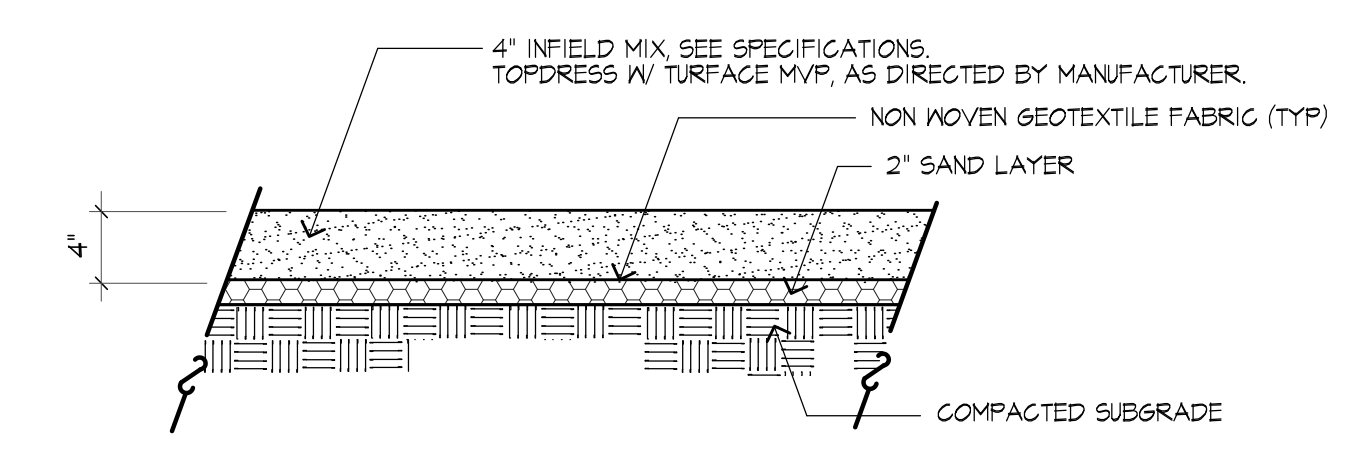
BASE PLAN INFORMATION PROVIDED BY MASS GIS OLIVER  
 DATED APRIL 2, 2016



**2** STRAW WATTLE - EROSION CONTROL  
 SCALE: 1"=1'-0"



**3** BASEBALL FIELD LAYOUT  
 SCALE: 1"=40'-0"



**4** INFIELD MIX  
 SCALE: N.T.S.

Revision	Date

Scale: AS NOTED	Drawing No. <b>L-1</b>
Date: 5.4.16	of <b>1</b>
Job: 00-107	
File: PR-det	
Drawn: CCH	
Checked: --	

PLOT # 15-11-1